

Declassified

~~SECRET~~

PROJECT 1794  
FINAL DEVELOPMENT SUMMARY REPORT  
2 APRIL - 30 MAY 1956

USAF Contract No. AF33(600)30161

I. D. No. 56-RDZ-19954

*AVRO AIRCRAFT LIMITED*

Declassified on June 14, 2001 by the  
Air Force Declassification Office  
IAW EO 12958

RECLASSIFIED AT 12 YEAR  
INTERVALS; NOT AUTOMATICALLY  
DECLASSIFIED. DOD DIR 5200.10

Declassified

Declassified

SECURITY WARNING

This document is intended solely for the recipient and such persons as have been delegated to use it in the course of their duty and may be used in connection with work performed for or on behalf of the United States Air Force.

The transmission, unauthorized retention, destruction, or the revelation of its contents, in any manner, to (an) unauthorized person(s) is forbidden.

Failure to comply with any of the above instructions is an infraction of the Canadian Official Secrets Act and is a violation within the meaning of the United States Espionage Laws, title 18, U.S.C., sections 793 and 794.

This copy has been issued by Avro Aircraft Limited, Malton.

To -

Date -

Copy No. - **1**

Declassified

I. D. 56 RDZ 19954

1 JUNE, 1956

~~SECRET~~

Declassified

TABLE OF CONTENTS

	<u>PAGE</u>
1. SUMMARY	1
2. INTRODUCTION	2
3. PROGRESS OF THE DESIGN	3
4. PROJECT 704	8
4.1 Description	8
4.2 Operation	11
4.3 Performance	15
5. DISCUSSION OF ACTIVITIES	20
5.1 Test Results	20
5.2 Design Study & Theoretical Analysis	74
6. FINANCIAL STATEMENT	87
7. DEVELOPMENT AND PRODUCTION ASPECTS	96
8. NEW PROGRAMS REQUIRED	98
8.1 Tests Program	98
8.2 Design Study and Theoretical Analysis	103
9. TABULATED SUMMARY & COST FORECAST	110

Declassified

I. D. No. 56-RDZ-19954

1 JUNE, 1956

~~SECRET~~

i

PROJECT 1794

FINAL DEVELOPMENT SUMMARY REPORT

2 April, 1955 - 31 May, 1956

USAF Contract No. AF33(600)30161

Issued by:

Avro Aircraft Limited  
Malton, Ontario, Canada

Approved by:



J. C. M. Frost  
Chief Design Engineer  
Special Projects Group  
Avro Aircraft Limited.



H. C. Moody  
Engineering Manager  
Special Projects Group  
Avro Aircraft Limited.

The number of pages in this report, including the Title, Table of Contents and  
Illustration sheets is 114

Declassified

I. D. No. 56-RDZ-19954

1 JUNE, 1956

~~SECRET~~



FINAL DEVELOPMENT SUMMARY1. SUMMARY

In this report the scope of work under the above contract is reviewed and the progress of the design is explained. An outline of the proposed research prototype which the contractor is building is then given, followed by the results of feasibility and performance potential studies for the subject aircraft, and a financial statement relating to the work accomplished.

It is concluded that the stabilization and control of the aircraft in the manner proposed - the propulsive jets are used to control the aircraft - is feasible and the aircraft can be designed to have satisfactory handling through the whole flight range from ground cushion take-off to supersonic flight at very high altitude. Supersonic tests show that the calculated thrust potential with the present design will provide a much superior performance to that estimated at the start of contract negotiations, with a top speed potential between Mach 3 and Mach 4, a ceiling of over 100,000 ft. and a maximum range with allowances of about 1,000 nautical miles.

Additional tests to completely substantiate this performance are shown to be required. Development and production aspects are briefly reviewed and an outline new program broader in scope than the study now completed is presented (to dovetail with the development envisaged), together with an accompanying cost estimate. This estimate covers a period of 18 to 24 months in the total amount of \$3,168,000.



## 2. INTRODUCTION

The work statement - Exhibit 1 of the above contract - specifies "analytical investigations and design studies to determine the performance capabilities and design features of a flat vertical take-off and landing aircraft", of a new type proposed by AVRO AIRCRAFT LIMITED: together with substantiating tests. This contract is essentially a feasibility study and "design configuration effort shall be confined to the minimum required for demonstration of principles in a practical application". The areas for test and analysis are defined as:

- (1) Air Cushion effect
- (2) Stability of multi-engine configuration
- (3) Air Intake and gas exhaust system test
- (4) Aircraft performance, stability and control
- (5) Radial flow engine feasibility

The progress of work has been reported in detail in ten monthly progress reports of which the first group were summarized in an interim development summary report. The whole period is covered by this final development summary and the work under this contract is now completed.

Separate technical reports have been prepared on each of these five areas, plus three further separate reports covering wind tunnel model tests. A general technical summary I. D. No. 56RDZ-13709 reviews all the work done during the year from the technical standpoint and outlines the current status of the design.



### 3. PROGRESS OF THE DESIGN

At the start of contract negotiations the proposed design (Fig. 1 on the following page) was for a jet-propelled all-wing aircraft of circular planform, embodying a new arrangement of a turbo-jet engine and employing jet control. In order to separate the engine development task from that of the airframe an intermediate research vehicle employing 8 small conventional turbo-jets radially disposed like the spokes of a wheel was also proposed at this time (Fig. 2). An alternative final development to the large radial engine of Fig. 1 was also suggested (Fig. 3).

At the beginning of the contract period a compromise between the Fig. 1 and Fig. 3 designs was conceived, having a superior performance to either. This ducted fan arrangement - while preserving the radial flow and circular planform with air cushion VTOL, avoided some considerable objections to the earlier designs and also gave good static thrust-lift efficiency and a very thin wing, using the entire depth of the wing between skins for engine air flow. This design was developed under contract area (5) through several mechanical arrangements to the form shown in Fig. 4 and has supplanted the earlier designs. In view of the relatively minor task of developing the main rotors of Fig. 4 by comparison with the engine of Fig. 1, the idea of an intermediate vehicle has been discarded and AVRO AIRCRAFT LIMITED is proceeding with the construction of the aircraft illustrated in Fig. 4, which is described in general terms in the next section.





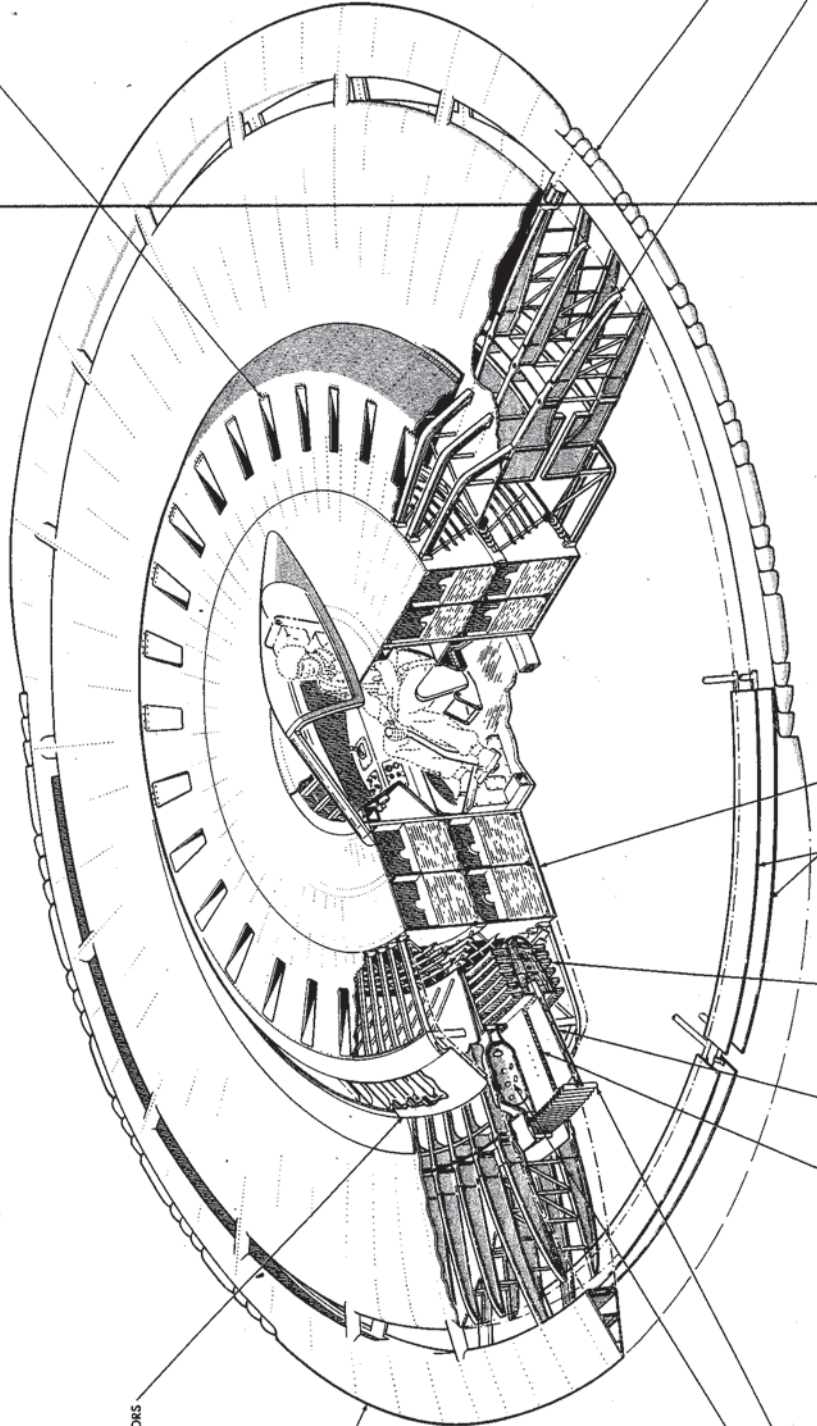
PROJECT 1794

Unclassified

TAKE-OFF AIR INTAKE DOORS

RUDDER NOZZLES

BASIC STRUCTURAL RIBS



FUEL TANKS

SLIDING SHUTTERS CONTROLLING NOZZLE AREA

COMPRESSOR

DISC ROTOR

UPPER AIR BEARING PLATE

AIR INTAKE SLIDING DOORS

FIXED OUTER RING

COMBUSTION SYSTEM

TURBINE

AVRO AIRCRAFT LIMITED

Unclassified

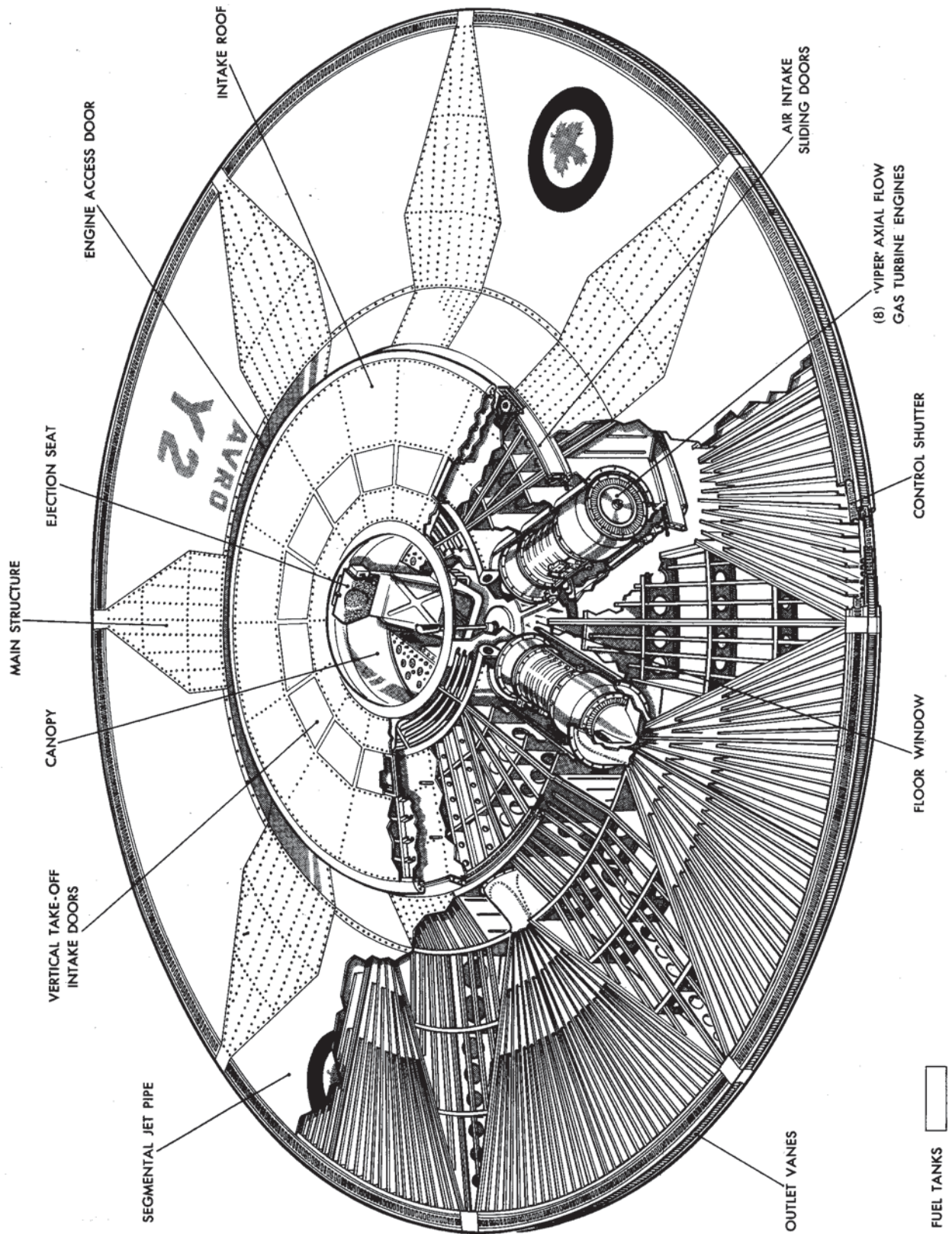
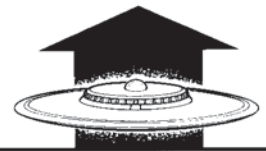


FIG. 2 INTERMEDIATE RESEARCH AIRCRAFT



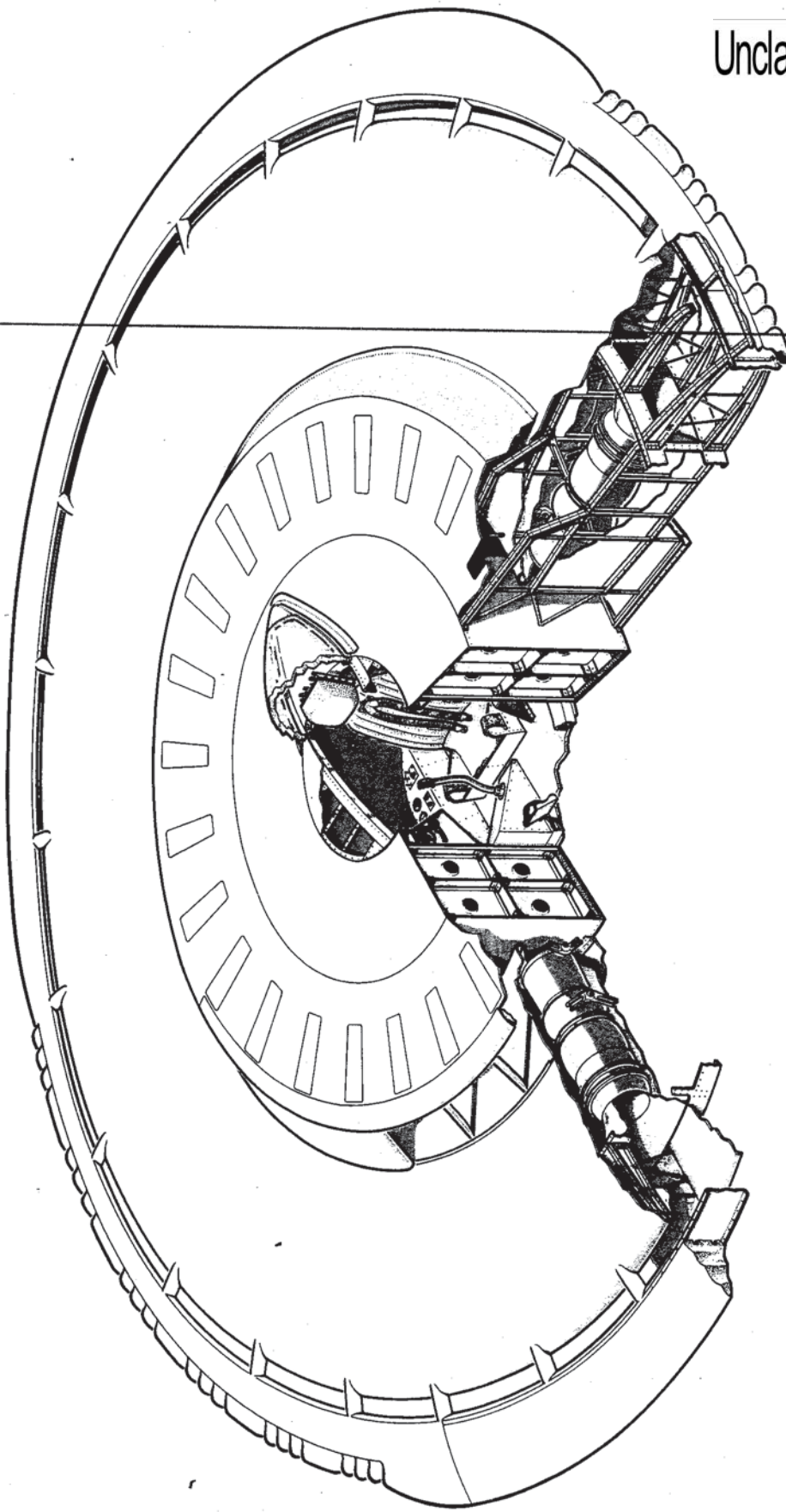
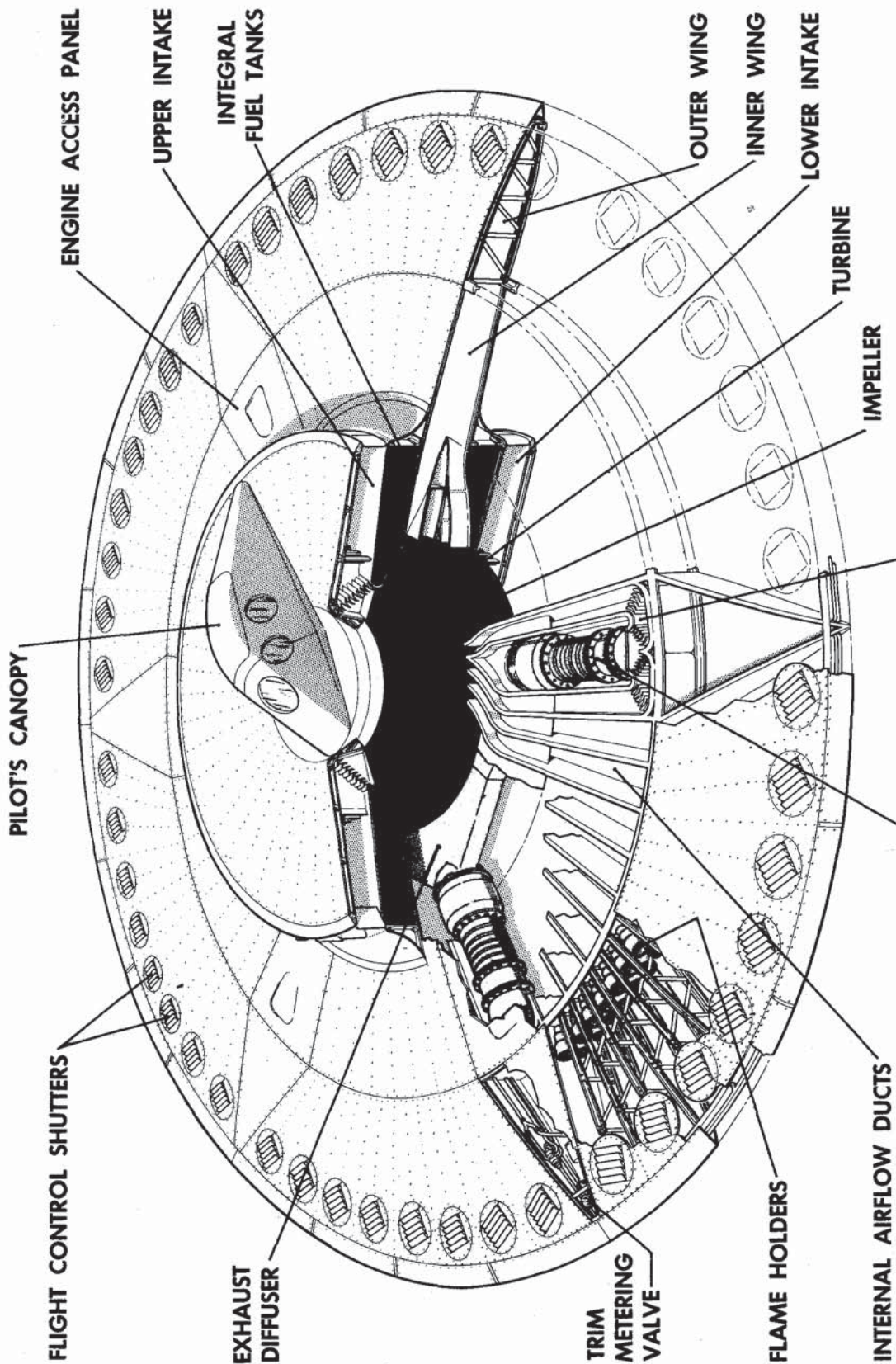
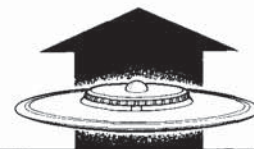


FIG. 3 SECTION CUTAWAY - CONVENTIONAL GAS TURBINE POWER PLANT SUBSTITUTION



ASSEMBLY 8 ENGINE ENGINE AIR INTAKE  
**6-VIPER DUCTED FAN RAMJET DESIGN**  
**FIG. 4**

1478-704-1



#### 4. PROJECT 704

To distinguish it from the work covered under contract on Project 1794 the undertaking to build the aircraft is known by AVRO AIRCRAFT LIMITED as Project 704.

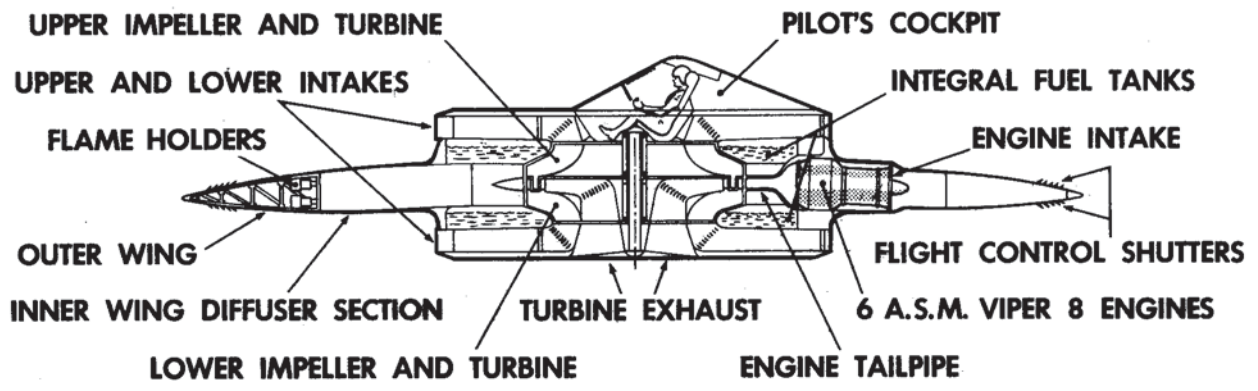
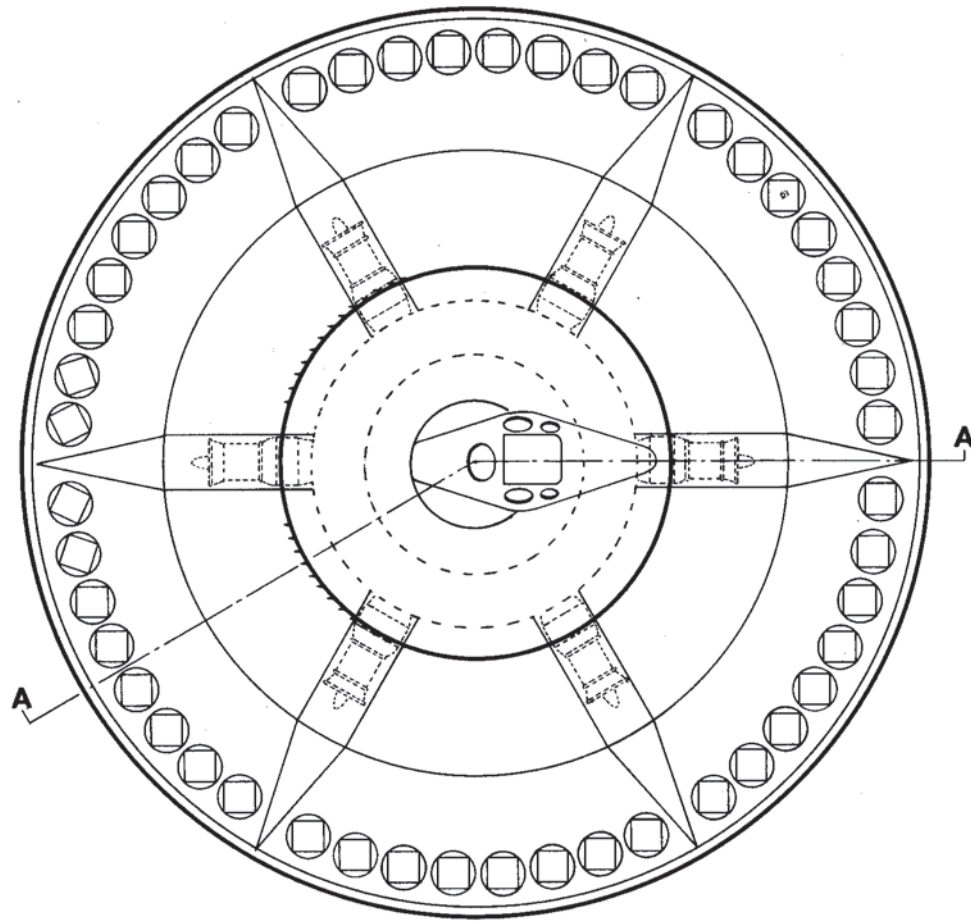
##### 4.1 Description

Fig. 5 is a plan and section drawing of the aircraft. It is 35.3 feet in diameter; stands about 2 feet off the ground, measures 7.7 feet from the lower surface to the top of the canopy; is approximately symmetrical in section and is expected to weigh about 20,000 lb. with 5,700 lb. fuel. The maximum fuel capacity is 13,150 lb. giving a maximum weight of about 27,000 lb.

Six Armstrong Siddeley Viper turbo-jets - 1,900 lb. thrust, 22.0" overall diameter, 525 lb. weight each - are mounted radially in the wing, exhausting inwards; and used as gas generators to drive a pair of contra-rotating centrifugal impellers by means of a radial inflow turbine.

The 8 foot diameter impellers, which rotate slowly by comparison with conventional centrifugal turbo-jets, draw air from the upper and lower intakes and force it radially out through the wing between the Viper engines. Some of the air thrown out by the impellers is directed back to feed the Viper engines (Fig. 6), which thus behave statically as though there was ram pressure from forward flight on their air intakes.

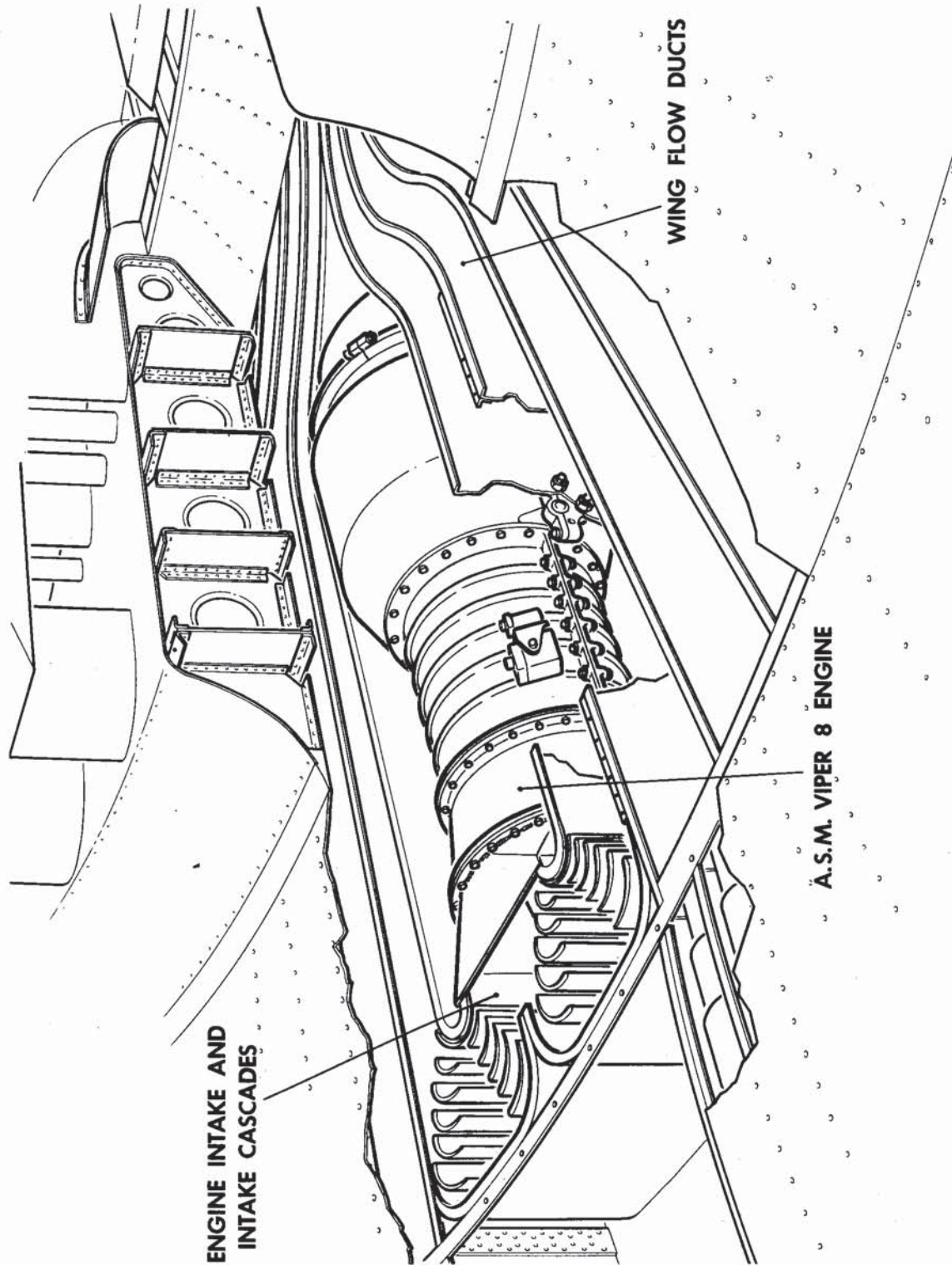




SECTION A-A

**PLAN VIEW AND SECTION THROUGH AIRCRAFT  
FIG. 5**

1476-704-1



**ENGINE INSTALLATION  
FIG. 6**

1481-704-1



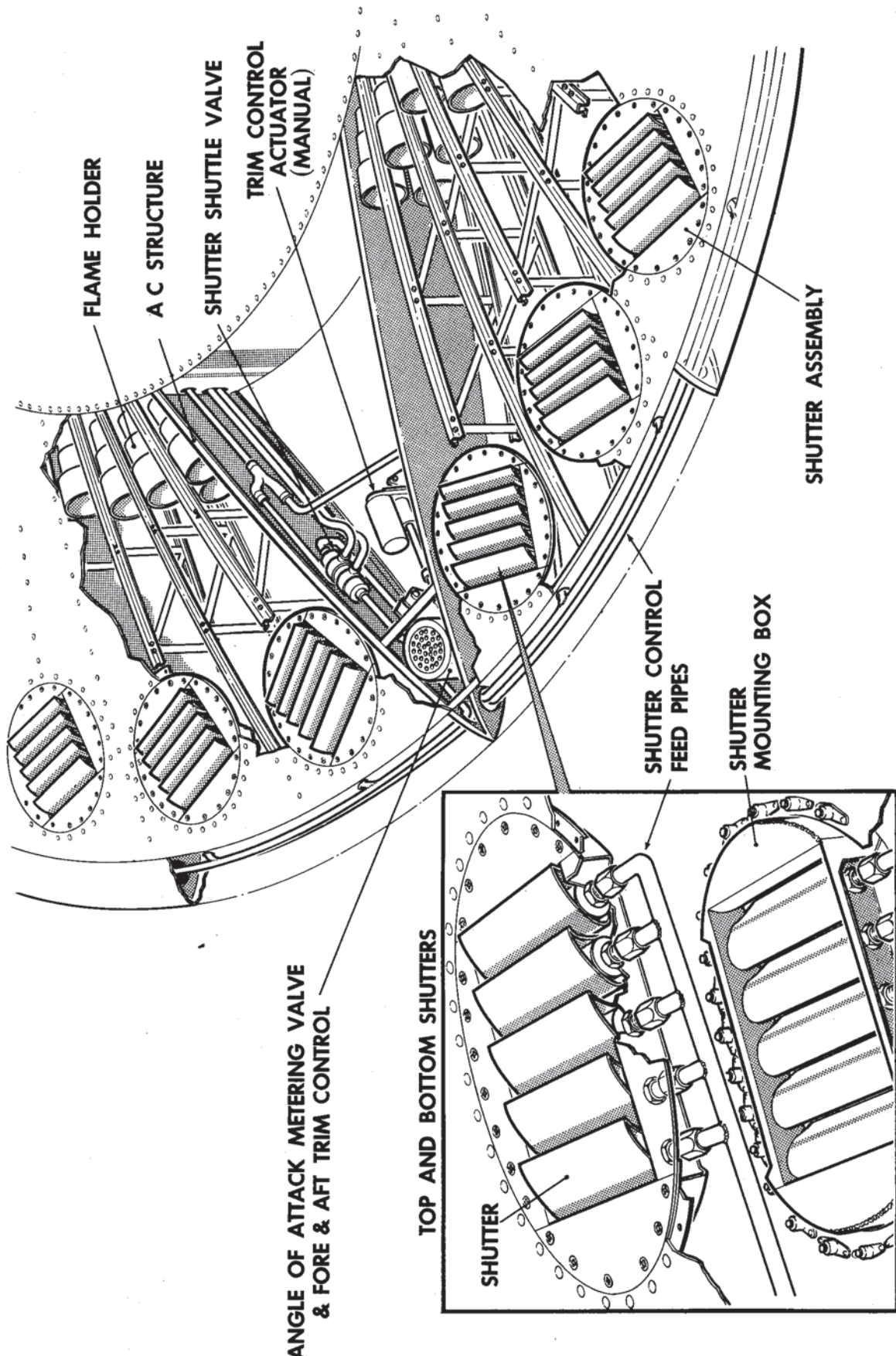
4.1  
(Cont'd)

The air is diffused in the wing to a high pressure at the flame holders (Fig. 5), where fuel may be added to augment the thrust, and is then exhausted through pneumatically controlled shutters or gills (Fig. 7) which direct the jet as it exhausts all around the aircraft periphery; either to raise the aircraft vertically off the ground or to propel it in forward flight. This control of the exhaust direction enables the jets to be used for manoeuvring and stabilizing the aircraft in all flight conditions, so that separate additional controls are not required to cater for vertical take-off and hovering. Thus, for instance, to pull up the nose of the aircraft the pilot will control the shutters by means of a conventional cockpit stick control to direct the jet out at the top of the wing in the rear sector and thrust the tail down, or to roll he will similarly direct the jet from the top on one wing and from the bottom on the other. For stabilizing, the main rotors and a diaphragm are used to sense when the aircraft pitches in a gust and use is made of the jet controls to correct it. Stabilization through the controls is essential on this aircraft since the centre of gravity is in the middle of the wing at  $1/2$  the chord from the leading edge, whereas the aircraft would only be stable without using the controls if the centre of gravity were about at the  $1/4$  chord position. The change in jet direction as the aircraft pitches performs the same function as the fixed stabilizer of a conventional aircraft.

4.2 Operation

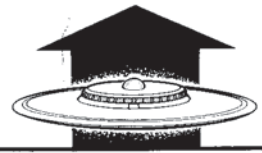
To take off, all the shutters on top of the wing are closed and shutters 11





CUTAWAY OF CONTROL SHUTTERS  
FIG. 7

1474-704-1

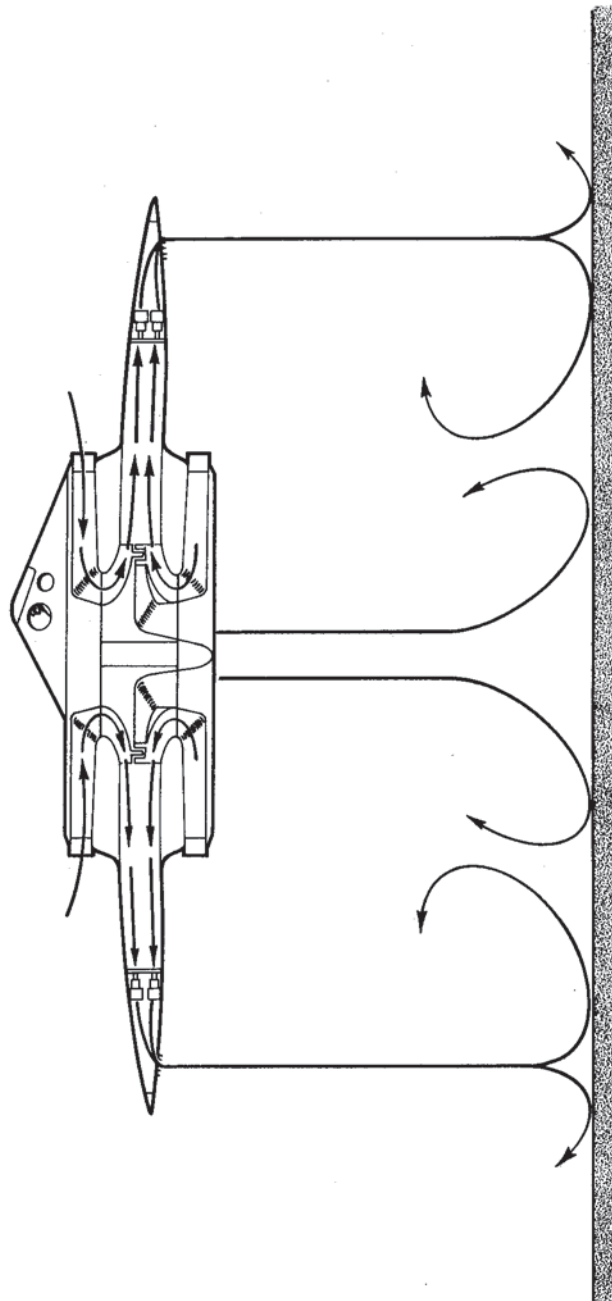


4.2  
(Cont'd)

on the bottom are opened wide. Without adding fuel to augment it, about 20,000 lb. thrust is produced by the jets pointing downwards all around the wing; however this jet-around-wing configuration produces a powerful take-off ground cushion so that the lift on the aircraft is, in fact, increased to possibly 30,000 lb., and the aircraft rises to about 20 feet (Fig. 8), where the ground cushion effect falls off rapidly. For pure vertical take-off the thrust must now be augmented and the exhaust arrangement modified by the pilot: however, it is envisaged that transition to forward flight will normally be from the ground cushion. By operating a transition control the pilot leans the jets backwards gradually to accelerate the aircraft, and raises the nose; with the thrust less than the weight, the aircraft can accelerate and rise into free air a short distance from the starting point.

In forward flight ram pressure is collected into the air intake which increases the pressure at the flame tubes and makes burning more efficient. At supersonic speed augmentation is always used and because of the large mass of air the impellers can handle, a very large thrust and high top speed is possible. The large installed thrust also leads to a high thrust to weight ratio which makes a very high ceiling possible. The efficiency of the airframe at supersonic speed appears good and that of the engine reasonable, so that a long supersonic cruise range is also forecast.

For landing, either a fully vertical descent may be made, with or



**FIG. 8 GROUND CUSHION EFFECT**





4.2  
(Cont'd)

without thrust augmentation from a hot main jet, or a steep approach path to the ground chosen. Transition to the landing condition from in-flight is similar to the take-off transition. The nose is raised and the jets transferred to the undersurface and leaned forward collectively to rapidly slow the aircraft down; as the speed falls close to zero the nose is lowered to bring the aircraft into the fully hovering condition. On sinking into the ground cushion the pilot must then close the throttle to reach the ground.

#### 4.3 Performance

The performance of the first prototype will initially be restricted due to a Mach No. restriction on the Viper engines. The following summary assumes this restriction has been removed:

At 1200°K main combustion temperature,

Max. level speed (Fig 9) Mach 3.0

Supersonic ceiling (Fig 10) 94,000 feet

Altitude for normal acceleration

of 7.33g in a steady turn 53,000 feet

Still air range (full internal fuel)

with allowances for take-off climb and

acceleration, cruising at Mach 2.25 at

90,000 feet (Fig 11) 1,000 naut.  
miles

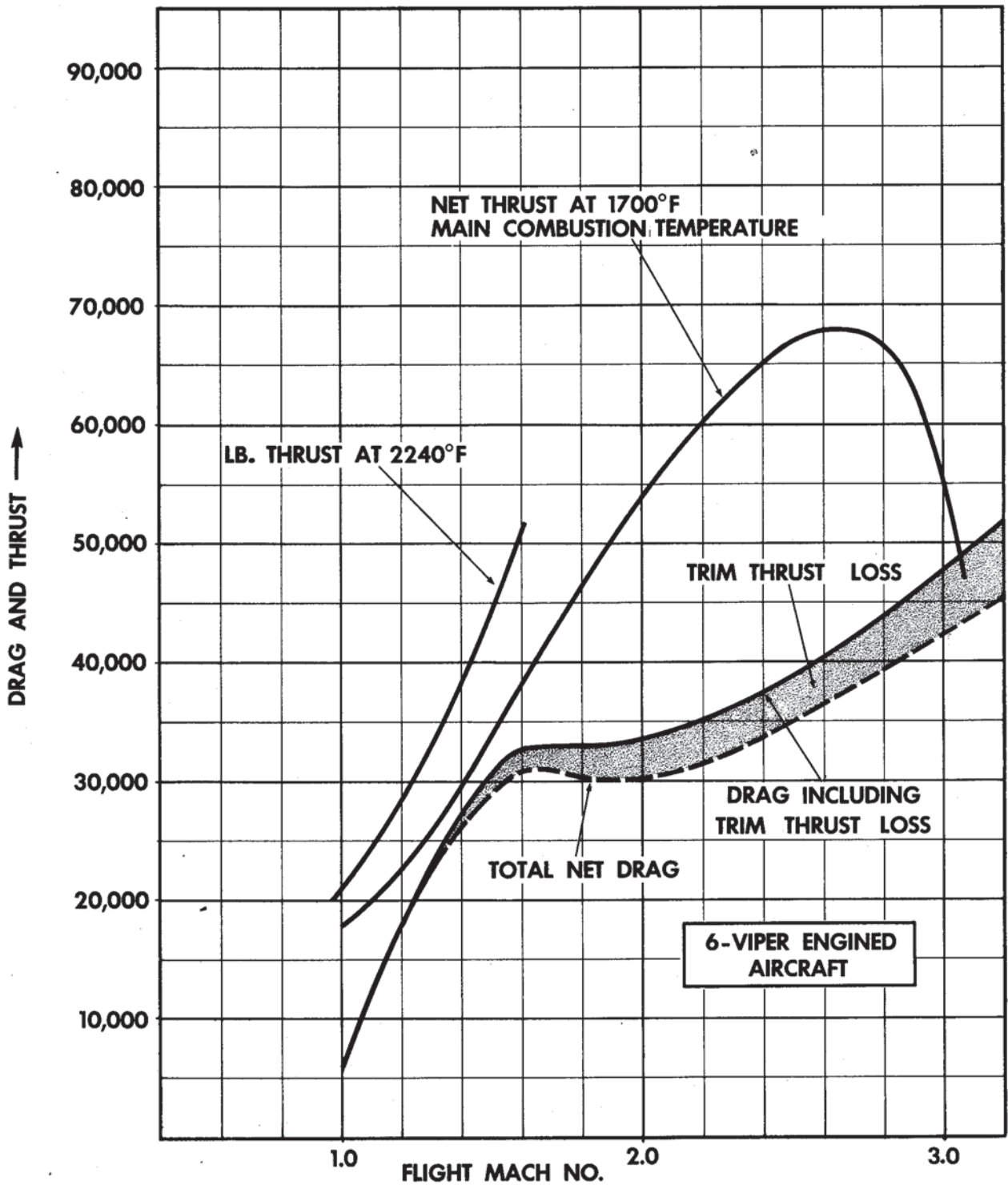


4.3  
(Cont'd)

Take-off and landing

VTOL





**PROJECT 1794 DRAG AND THRUST vs MACH NO.  
35,300 FT.  
FIG. 9**

1553-704-2

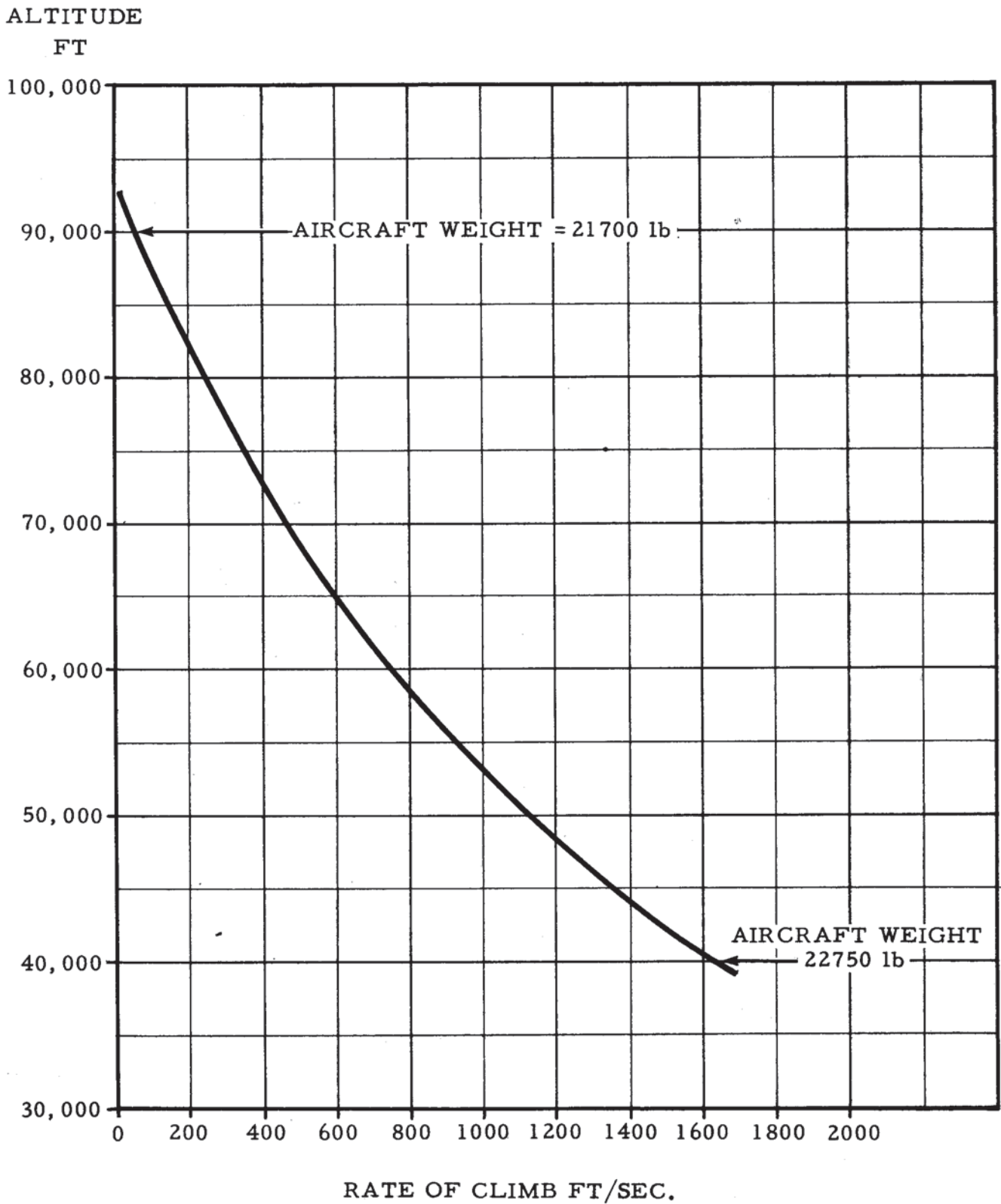


FIG. 10 PROJECT 1794 RATE OF CLIMB AT MACH 2.26

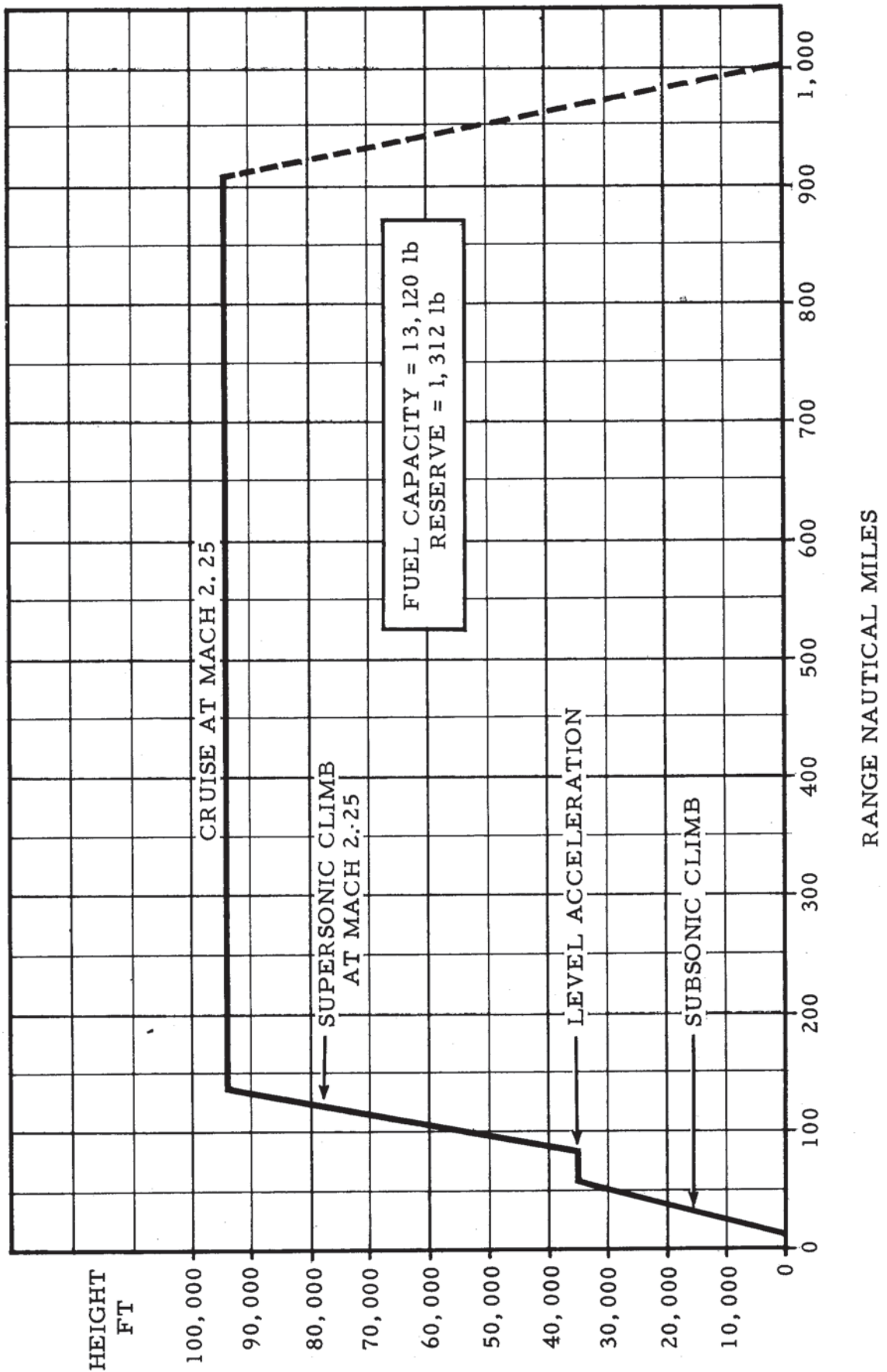


FIG. 11 PROJECT 1794 STILL AIR RANGE



## 5. DISCUSSION OF ACTIVITIES

### 5.1 Tests

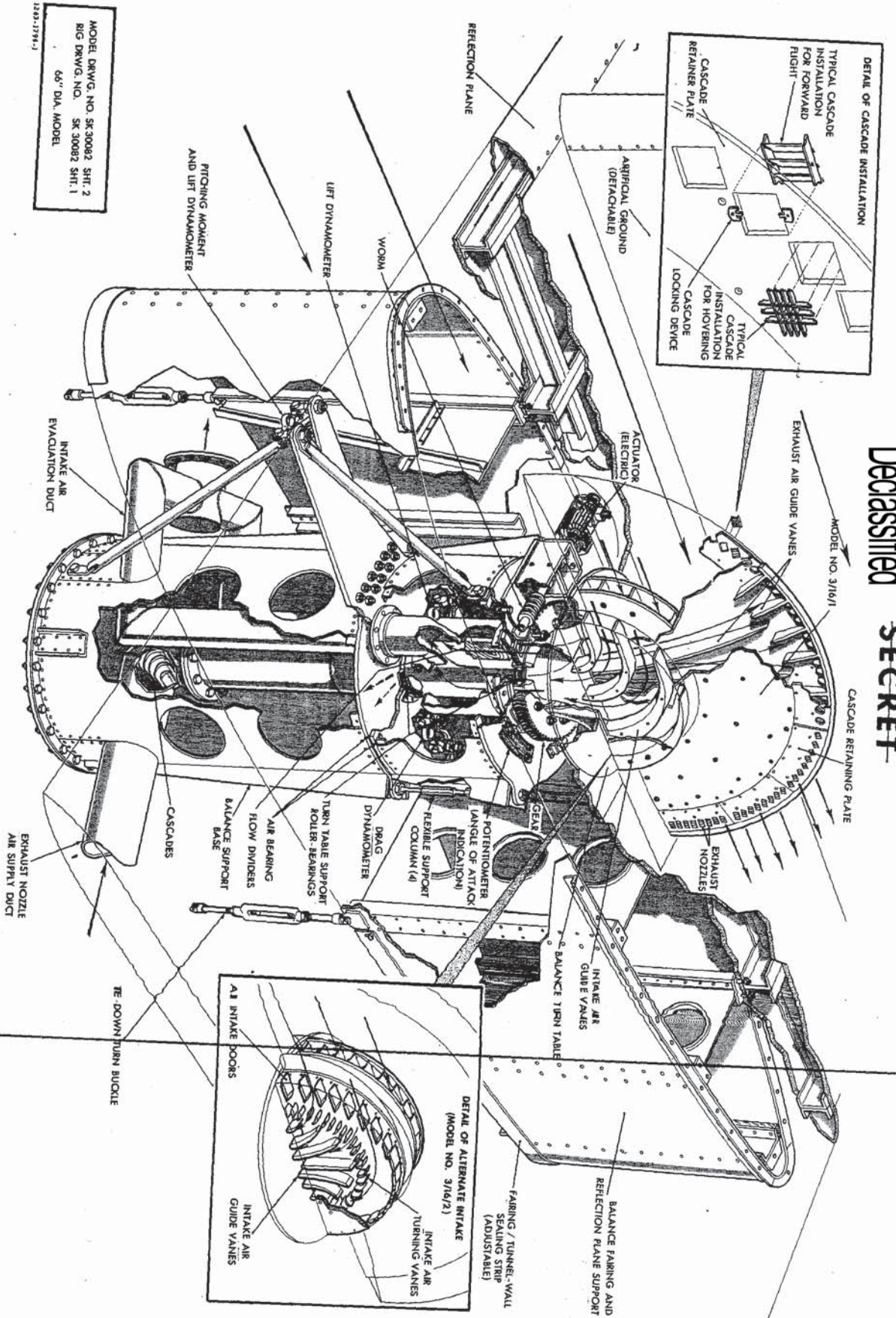
A tabular summary of the following is given at the end of this report.

5.1.1 Wind Tunnel Tests: A program of wind tunnel testing has been carried through during the year in three groups as follows:

5.1.1.1 An important series of subsonic tests, involving over 500 hours testing time and 34 weeks tunnel occupancy has been carried out on a 1/6th scale\* reflection plane model. In these tests, which were done in the 20 ft. diameter Massie Memorial Wind Tunnel at Wright Air Development Centre, provision was made for simulating air intake and jet exhaust flows. Fig. 12 is an illustration of the model, Figs. 13, 14 and 15 are photographs of the model and associated equipment. Testing covered all phases of subsonic operation, including static ground cushion effect tests with control, transition to forward flight with control in proximity to the ground and in free air, and in-flight tests with control in free air.

\* NOTE: The geometry of Project 704 is slightly different to that of the wind tunnel models tested, which were based upon an earlier layout of an aircraft 33 feet dia. with  $3 \frac{1}{2} \%$  thickness/chord ratio wing. Corrections have been made to the performance quoted to account for the difference.



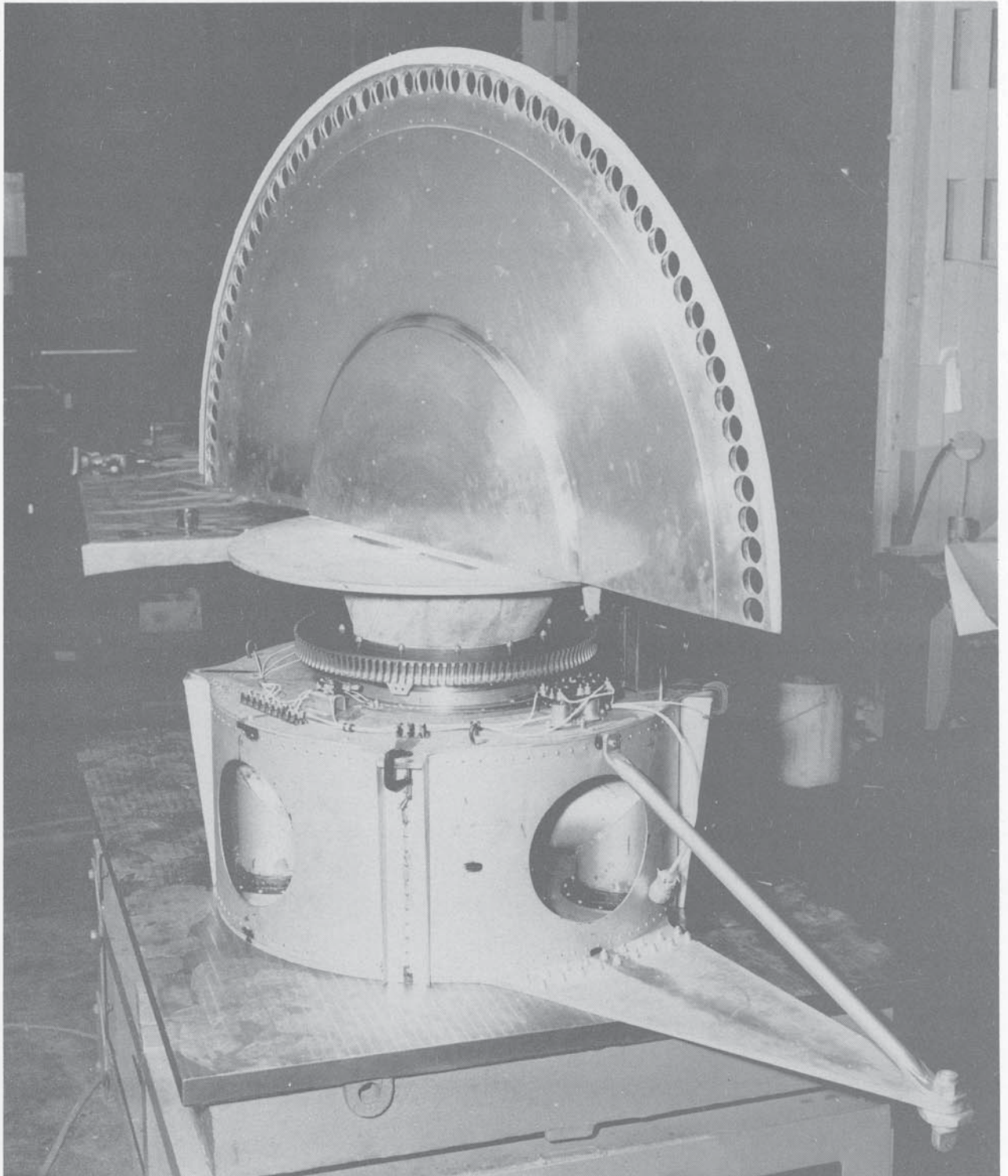
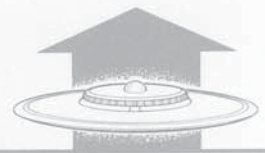


STABILITY AND CONTROL MODEL NO. 21/6

~~SECRET~~

Declassified





**FIG. 13 1/6 SCALE SUBSONIC MODEL**



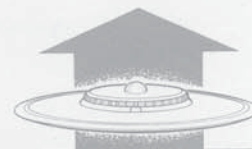


FIG. 14



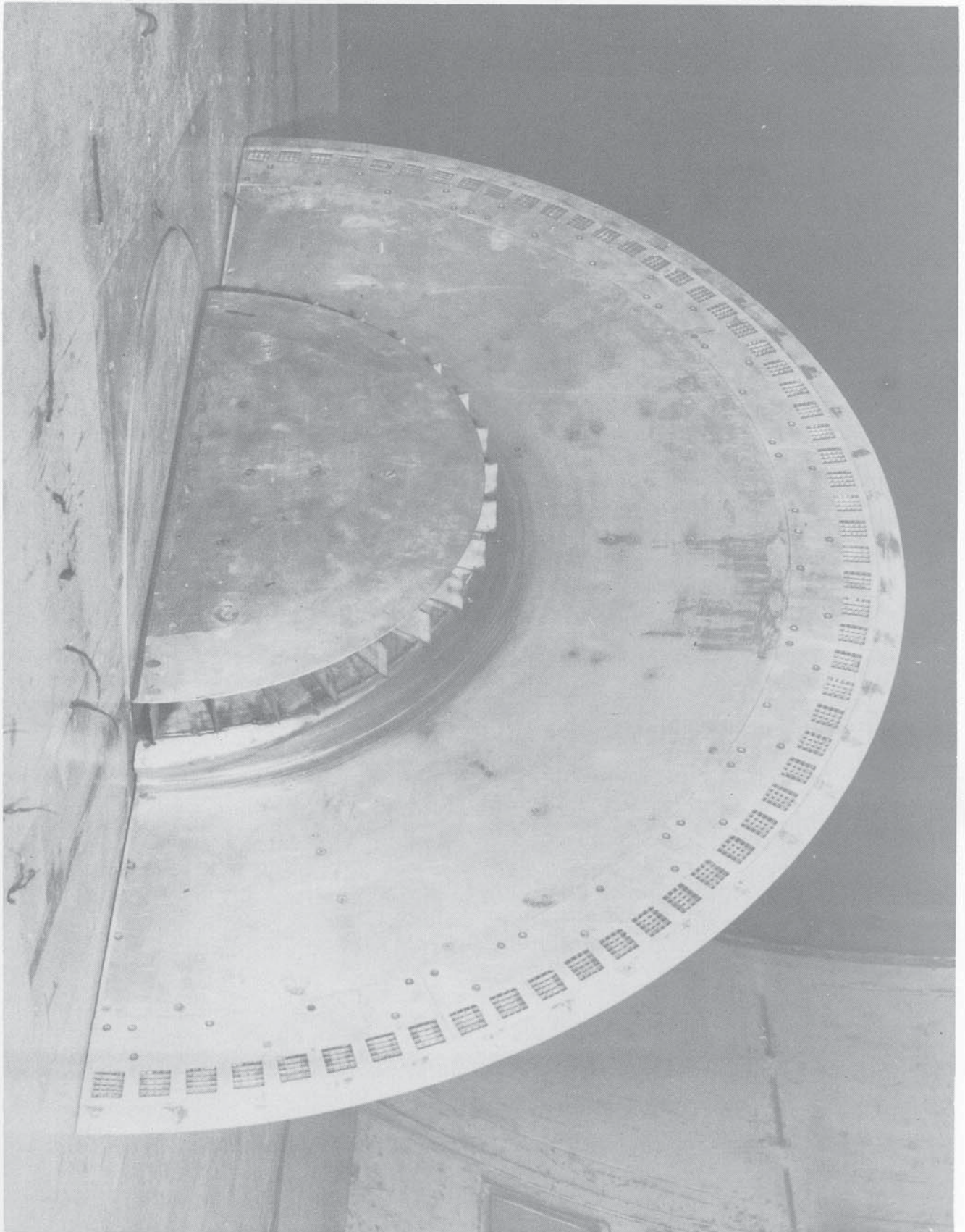


FIG. 15





5.1.1.1  
(Cont'd)

Because of the large number of variables - speed, transition control, pitch control, jet thrust, intake flow, ground position and angle of attack - a very complex program was required, which took longer to complete than was anticipated. (Tests were completed June 14). This has caused some delay in the production of final technical reports.

Numerous important details were discovered or verified by these tests; broad conclusions are as follows:

- (i) The aircraft can be satisfactorily controlled during take-off and landing, through a smooth transition to or from forward flight and at all subsonic speeds; and manoeuvred through a satisfactory subsonic flight envelope. (Fig. 16).
- (ii) It appears that with the thrust less than the weight the aircraft can accelerate and rise smoothly into free air a short distance from the starting point. However, interpretation of the data is difficult since values do not collapse theoretically in the very low speed range and no data was taken very close to zero speed.
- (iii) The aircraft has a high subsonic zero lift drag coefficient and although it has a remarkable lift efficiency (due to the jet effect and negative margin) its subsonic cruising efficiency is poor, as expected. It appears well worth while to reduce subsonic drag in order to improve acceleration, and subsonic endurance. (Fig. 17).

Further tests with this model are required.

- (i) To obtain transition data down to very low speed. Even low

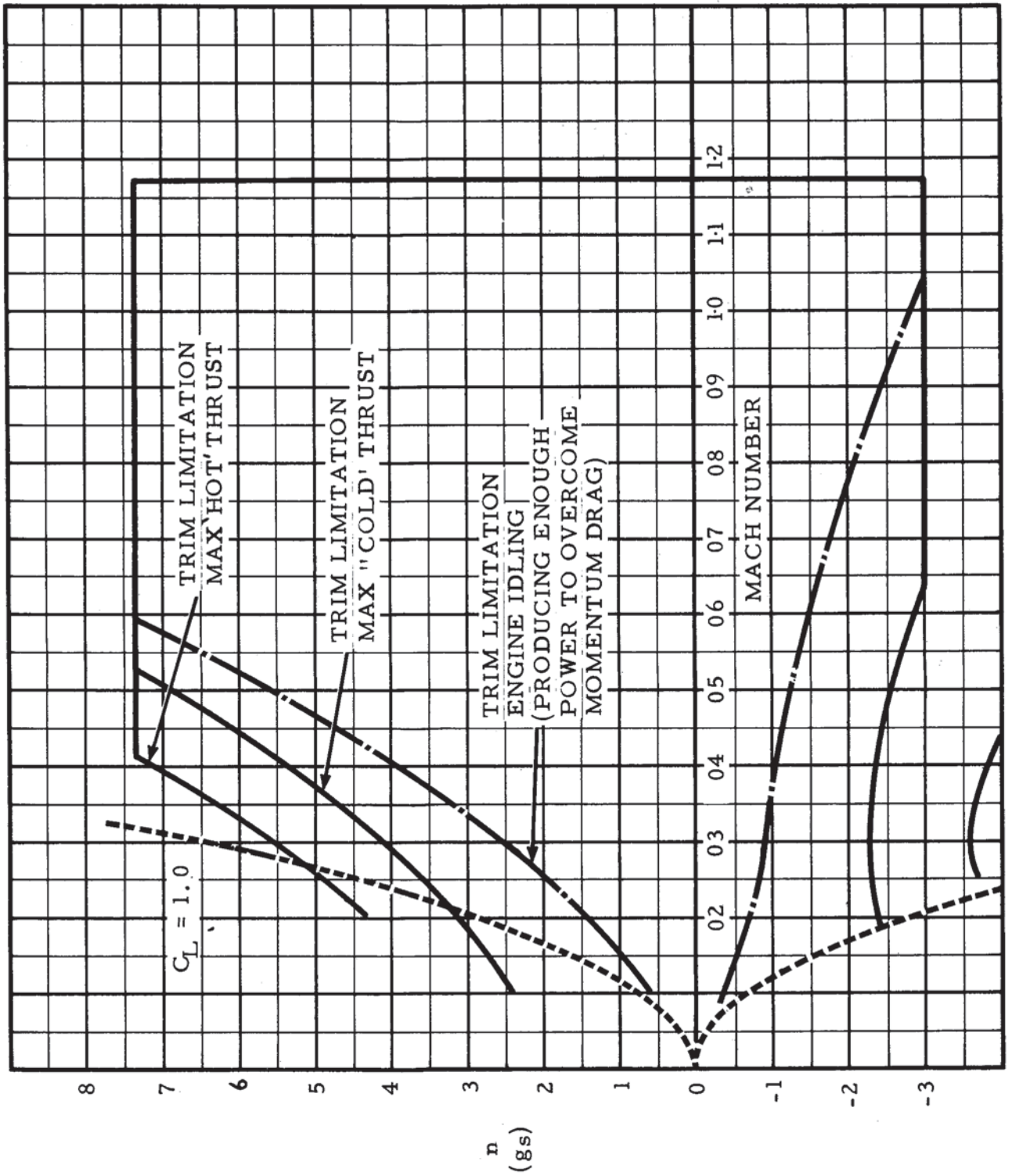


FIG. 16 PROJECT 1794 FLIGHT ENVELOPE S. L.  
AIRCRAFT WEIGHT = 20000 LB

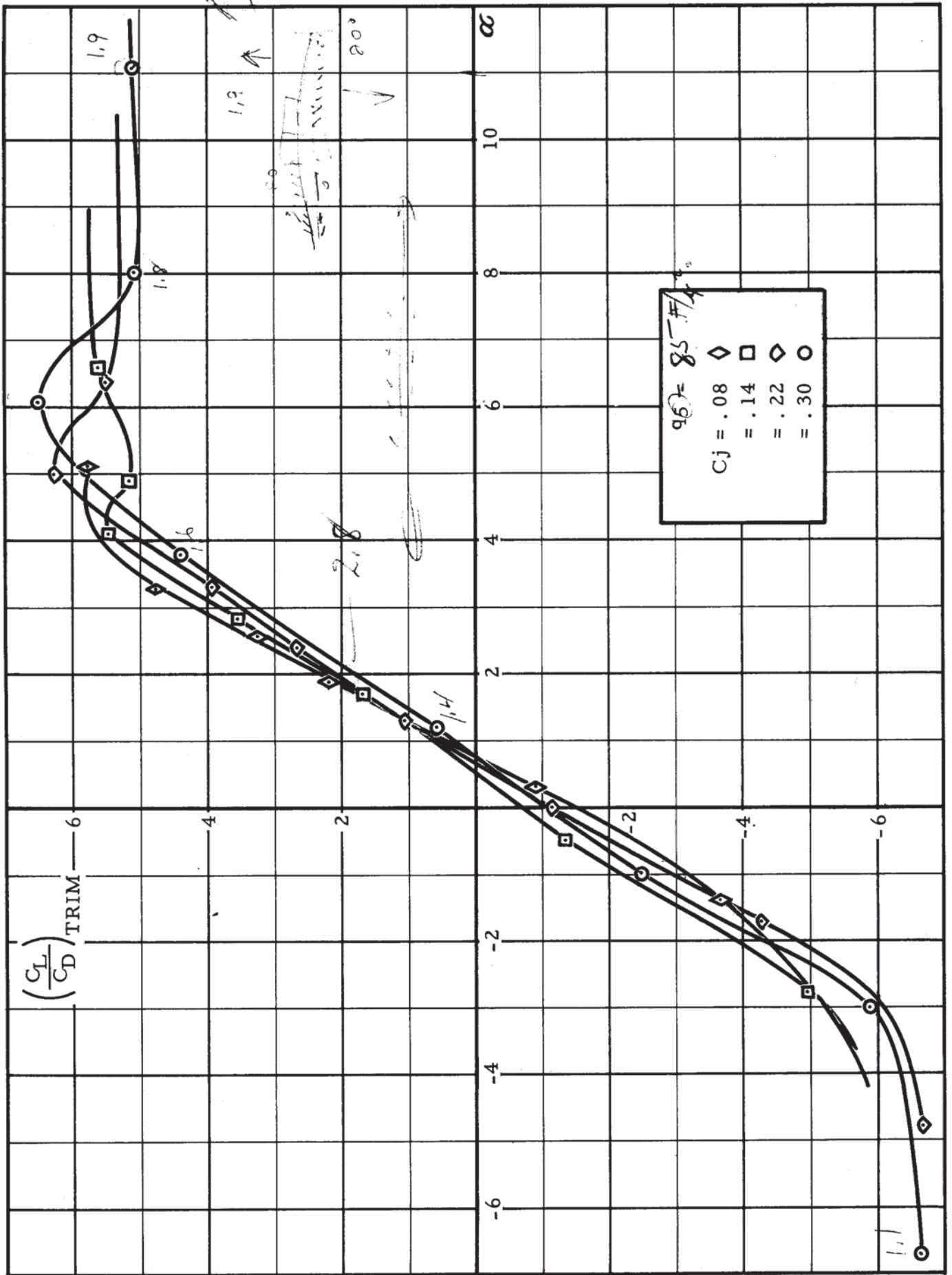


Fig. 17



5.1.1.1  
(Cont'd)

accuracy data would be regarded as valuable confirmation of the transition flight path.

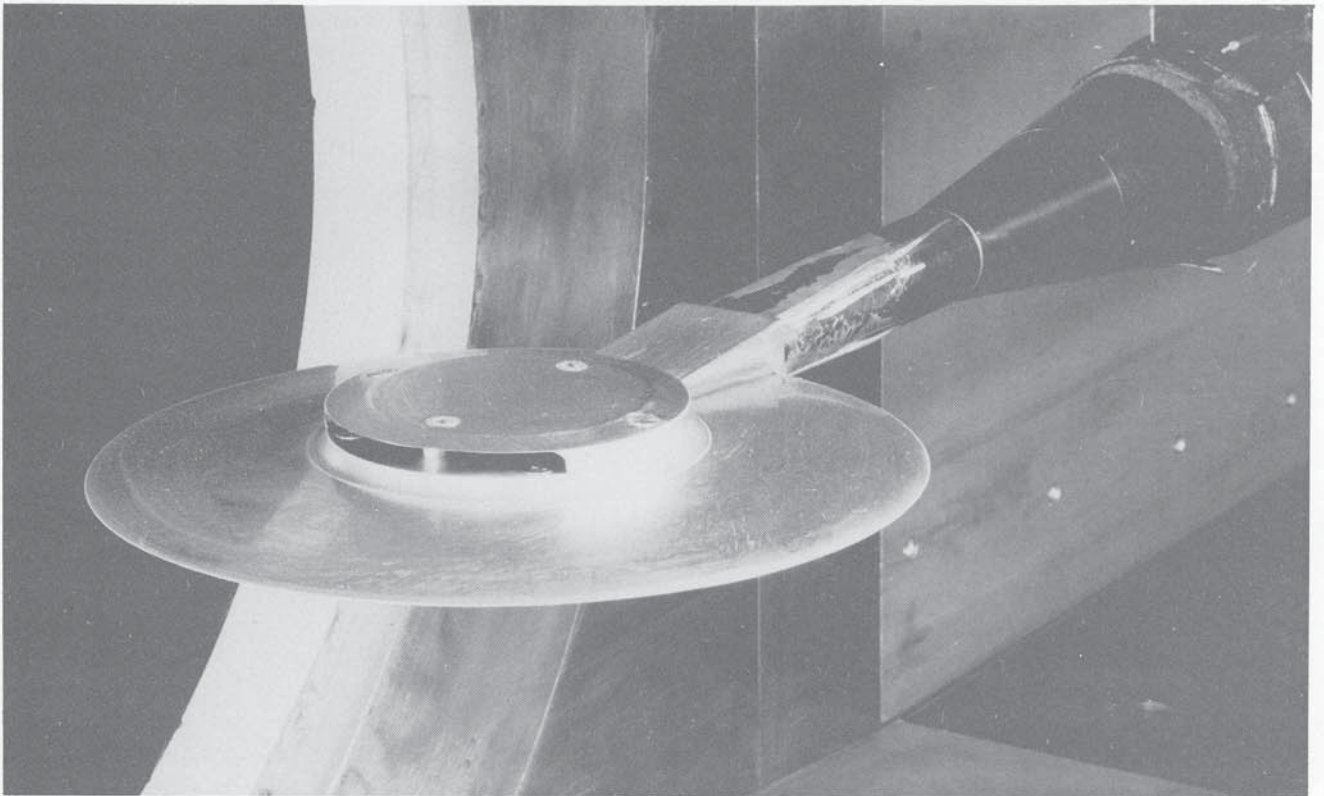
- (ii) To investigate the surface pressure distribution on the aircraft in various flight conditions.
- (iii) To investigate control scheme modification to improve transition control characteristics through the whole angle of attack-ground distance range, and to improve subsonic cruising efficiency.
- (iv) To check the effect of simulating the exhaust with a hot jet on the drag and the aerodynamic characteristics, (originally planned, but postponed).
- (v) To investigate reducing the subsonic drag by intake modification.

5.1.1.2 Three supersonic models have been tested involving 76 hours test time and eight days tunnel occupancy. These tests were done in the Massachusetts Institute of Technology Naval Supersonic Laboratory 18" x 24" section supersonic tunnel. These models were:

- (i) A sting mounted 1/40 scale\* model built up by components, with no flow simulation. (Figs. 18 and 19).
- (ii) A 1/23 scale\* reflection plane force model, with air intake, jet flow and control position simulation. (Figs. 20 and 21).

\* See footnote at bottom of page 20.





FORWARD UPPER SURFACE OF THE  $WR_{C_I D}$  CONFIGURATION  
AS INSTALLED IN THE M. I. T. - N. S. L. SUPERSONIC WIND TUNNEL

1540-1794-1

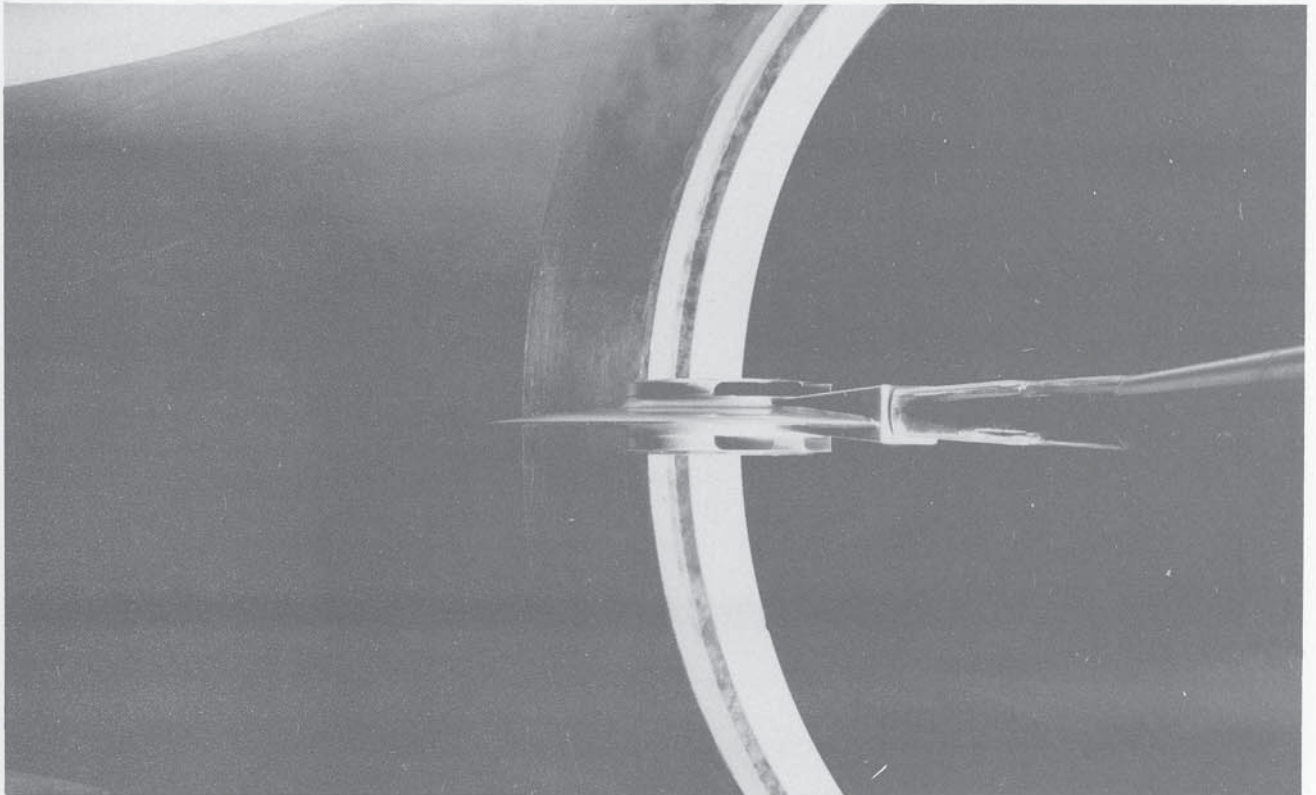
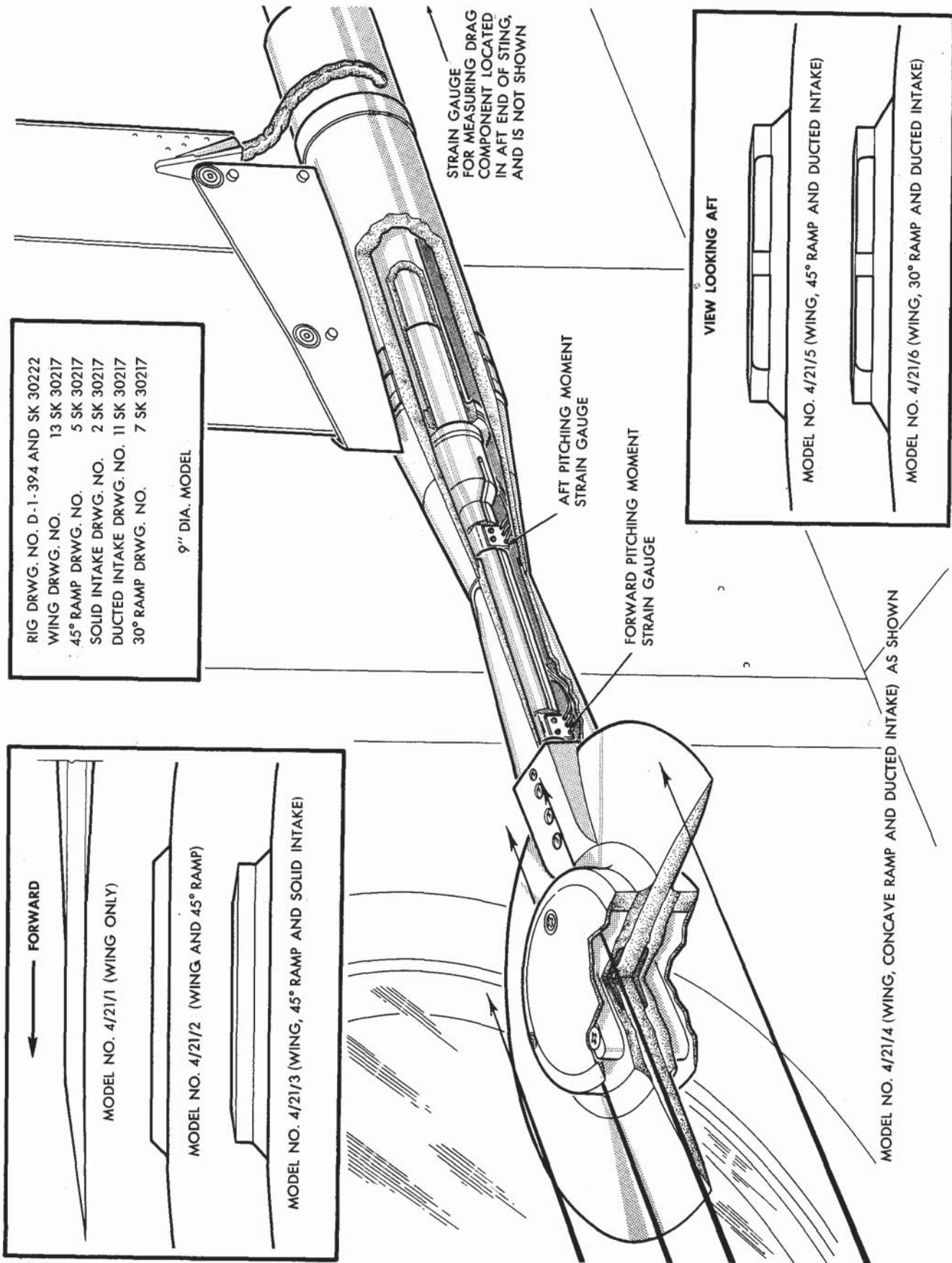
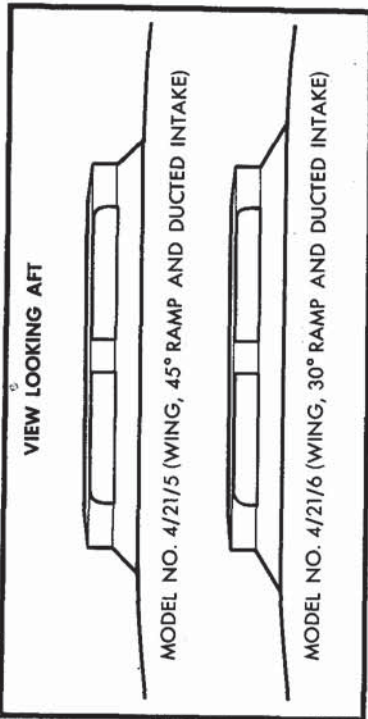
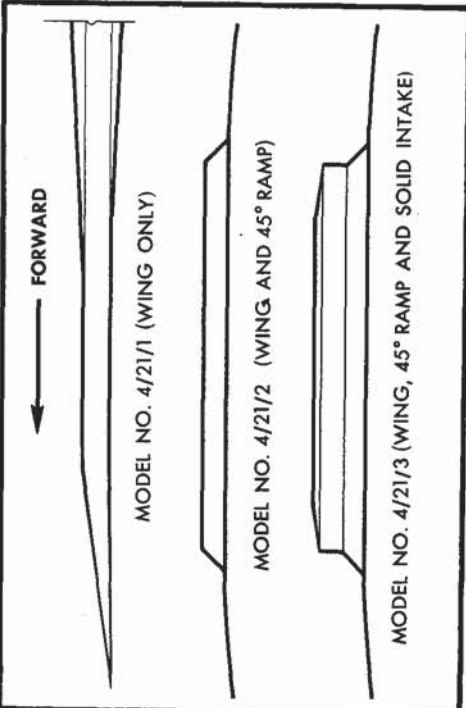


FIG. 18 REAR VIEW OF THE  $WR_{C_I D}$  CONFIGURATION AS INSTALLED  
IN THE M. I. T. - N. S. L. SUPERSONIC WIND TUNNEL



RIG DRWG. NO. D-1-394 AND SK 30222  
 WING DRWG. NO. 13 SK 30217  
 45° RAMP DRWG. NO. 5 SK 30217  
 SOLID INTAKE DRWG. NO. 2 SK 30217  
 DUCTED INTAKE DRWG. NO. 11 SK 30217  
 30° RAMP DRWG. NO. 7 SK 30217

9" DIA. MODEL



1249-1794-1

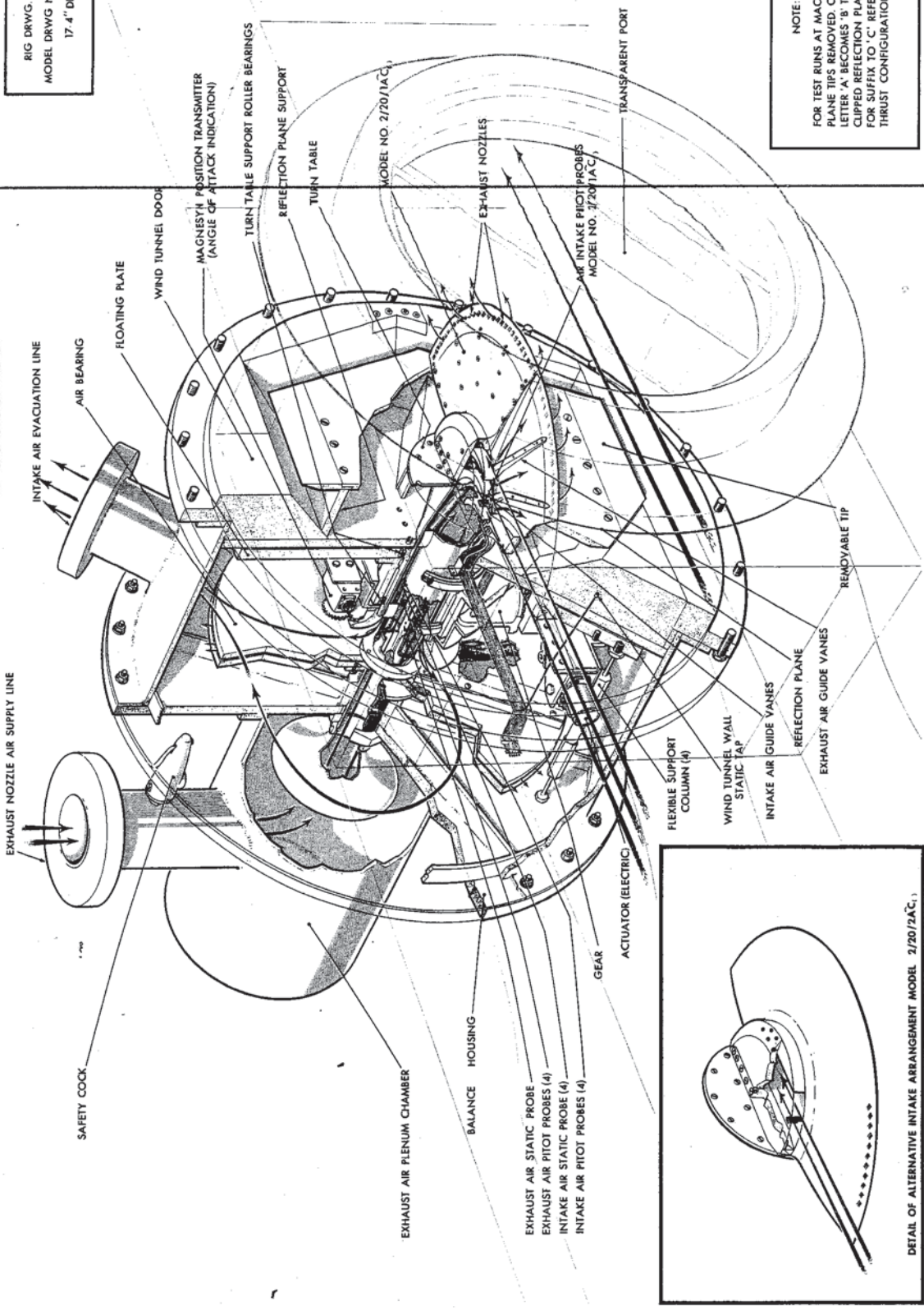
APRIL 15, 1956

FIG. 19 PERFORMANCE MODEL NO. 4/21



~~SECRET~~ Declassified

RIG DRWG. NO. SK30213  
MODEL DRWG NO. SK30195 SHY.5  
17.4" DIA. MODEL



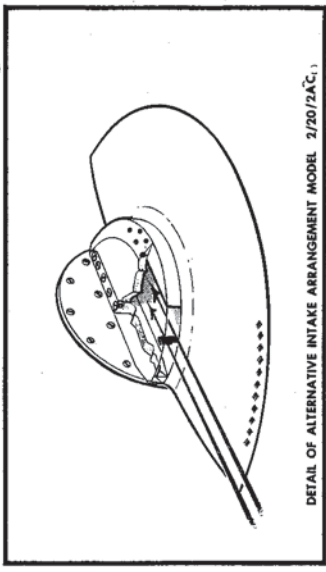
NOTE:  
FOR TEST RUNS AT MACH 3 REFLECTION PLANE TIPS REMOVED. CONFIGURATION LETTER 'A' BECOMES 'B' TO DESIGNATE CLIPPED REFLECTION PLANE CONDITION FOR SUFFIX TO 'C'. REFER TO TABLE OF THRUST CONFIGURATIONS.

MAY 23, 1954

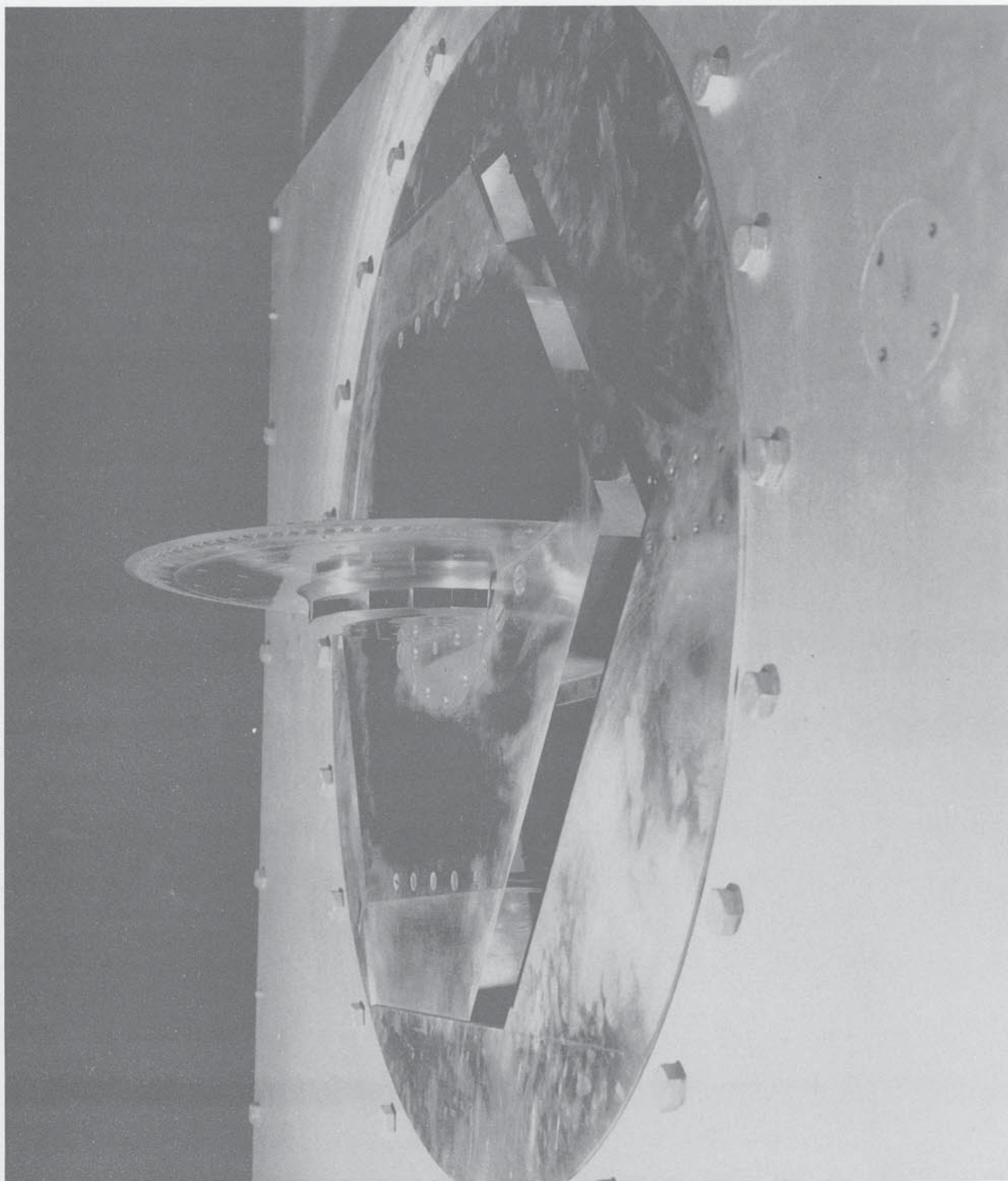
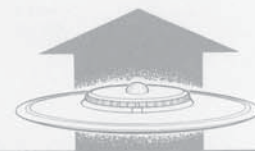
STABILITY AND CONTROL MODEL NO 2/20

~~SECRET~~

Declassified

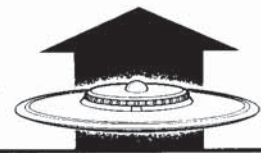


1244-1794-1



**FIG. 21 SUPERSONIC FORCE MODEL**





5.1.1.2  
(Cont'd)

- (iii) A 2/25 scale\* air intake pressure recovery model. Figs. 22 - 23).

Broad conclusions from these tests are as follows:

- (i) The aircraft can be satisfactorily controlled and manoeuvred from engine idling to maximum thrust at supersonic speed through a satisfactory supersonic flight envelope. (Figs. 24 and 25).
- (ii) The drag of the aircraft agrees quite closely with the estimate. (Fig 26).
- (iii) The supersonic cruising efficiency appears to be better than had been expected. (Fig. 27).
- (iv) The air intake pressure recovery is better than the estimate. (Fig. 28).

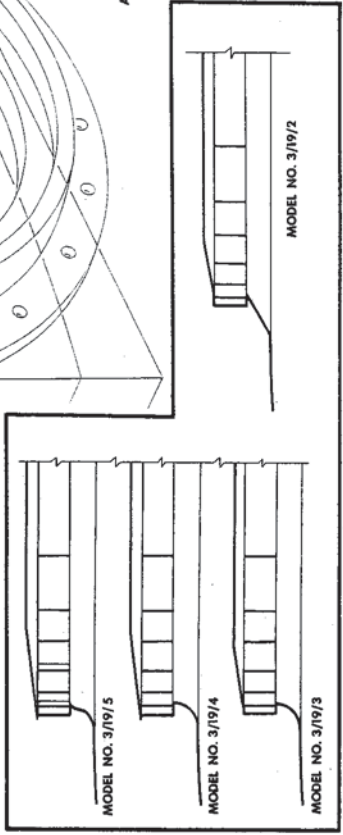
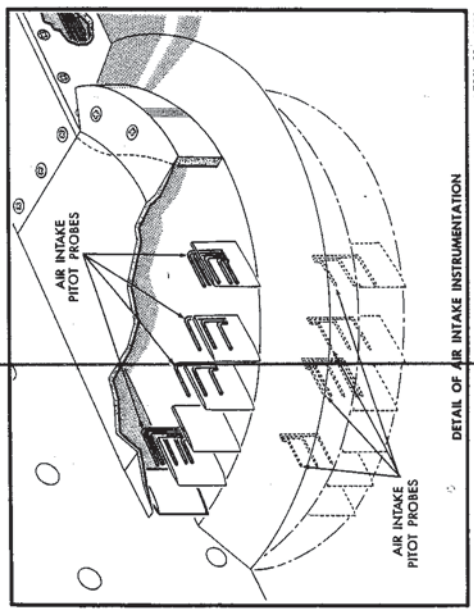
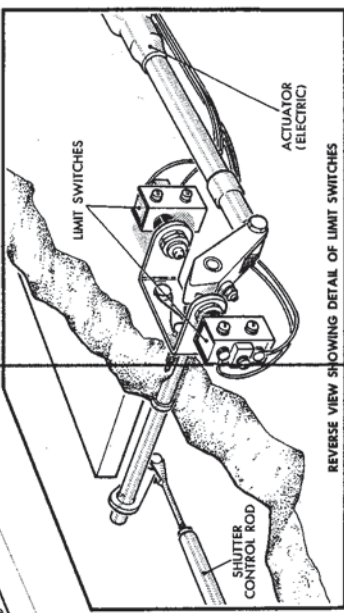
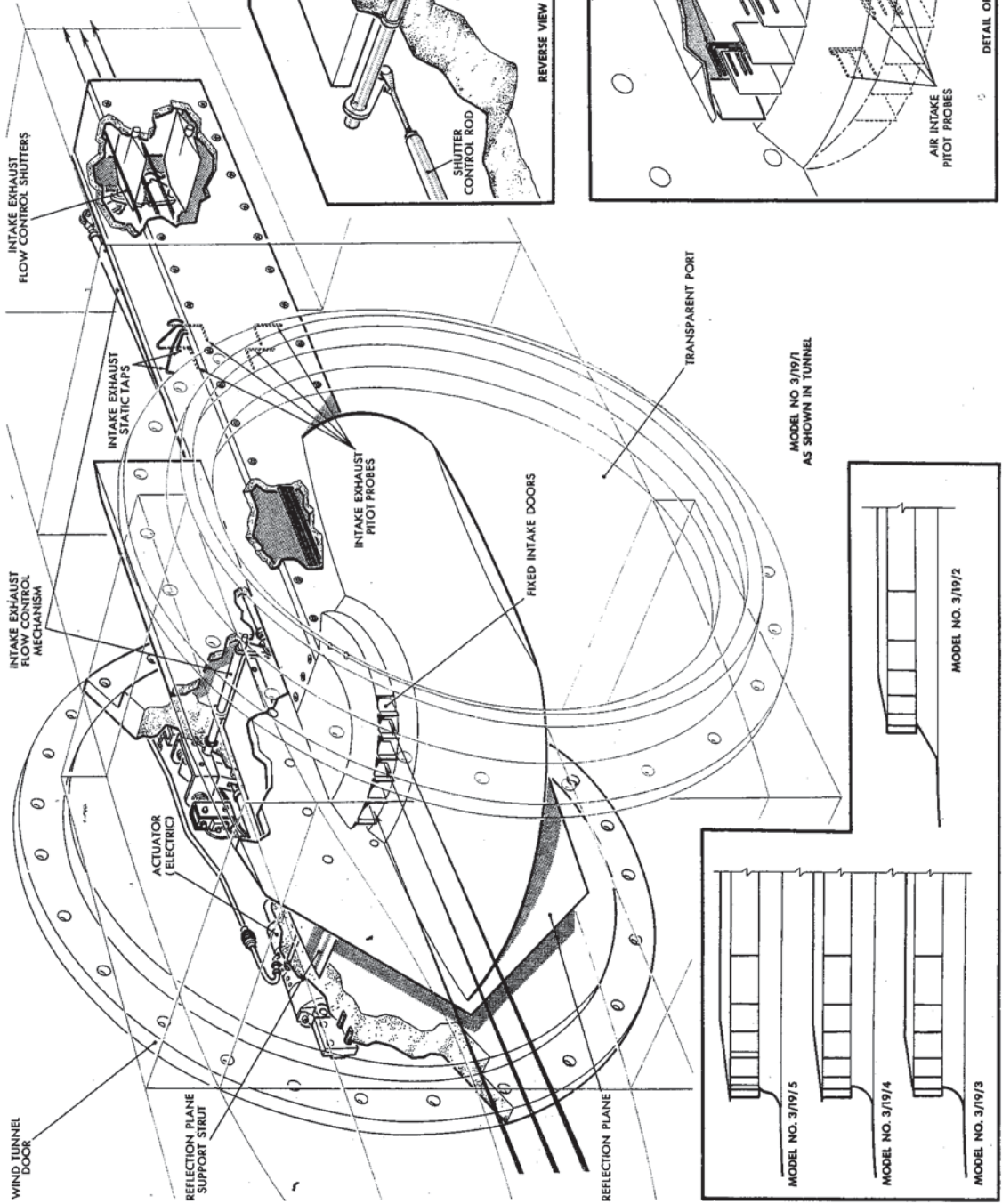
Further tests with these models are seen to be required:

- (i) To obtain further confirmation of the aircraft drag with the air intake running full. (The evacuation system failed to operate to the planned capacity during the tests).
- (ii) To generally extend the scope of the data. Due to the restricted testing time a too abbreviated program had to be accepted.
- (iii) To carry out transonic tests on the sting mounted model. (Planned but not achieved due to detail test difficulties).

\* See footnote at bottom of page 20.

Declassified ~~SECRET~~

MODEL DRWG NO. SK 30212 SHT. 1	110 & 111 SK 30212
EXTENDED ROOF	107 & 108 SK 30212
CONCAVE & CONVEX RAMP	10 & 11 SK 30212
EXTENDED ROOF	13 & 14 SK 30212
CONCAVE RAMP	3 & 4 SK 30212
NORMAL ROOF	15 & 16 SK 30212
45° RAMP	17 & 18 SK 30212
30° RAMP	
	32" DIA. MODEL



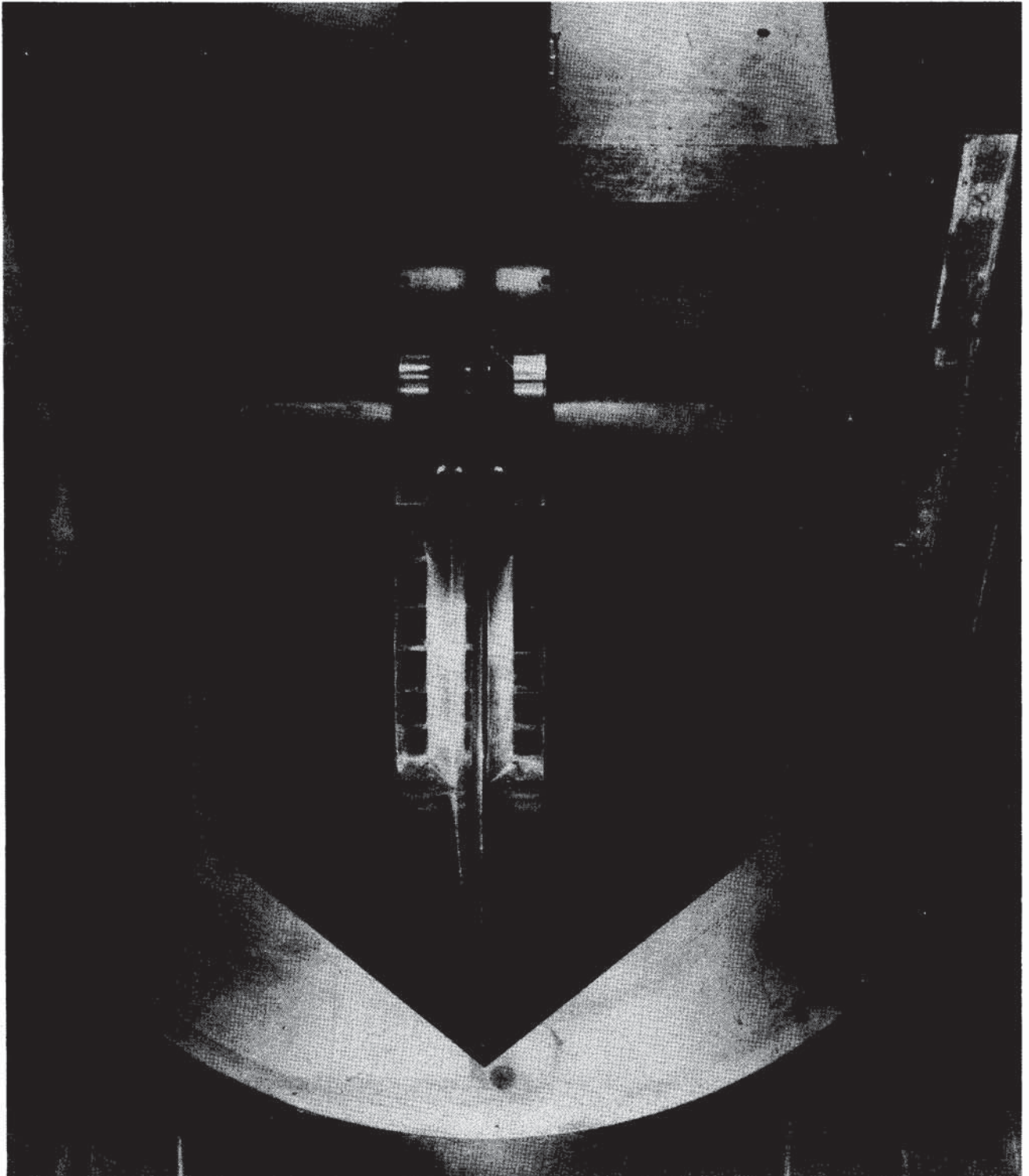
APRIL 25, 1956

AIR INTAKE AND GAS EXHAUST SYSTEM MODEL NO. 3/19

~~SECRET~~

Declassified

1247-1794-1



**FIG. 23 SUPERSONIC AIR INTAKE MODEL INSTALLED**

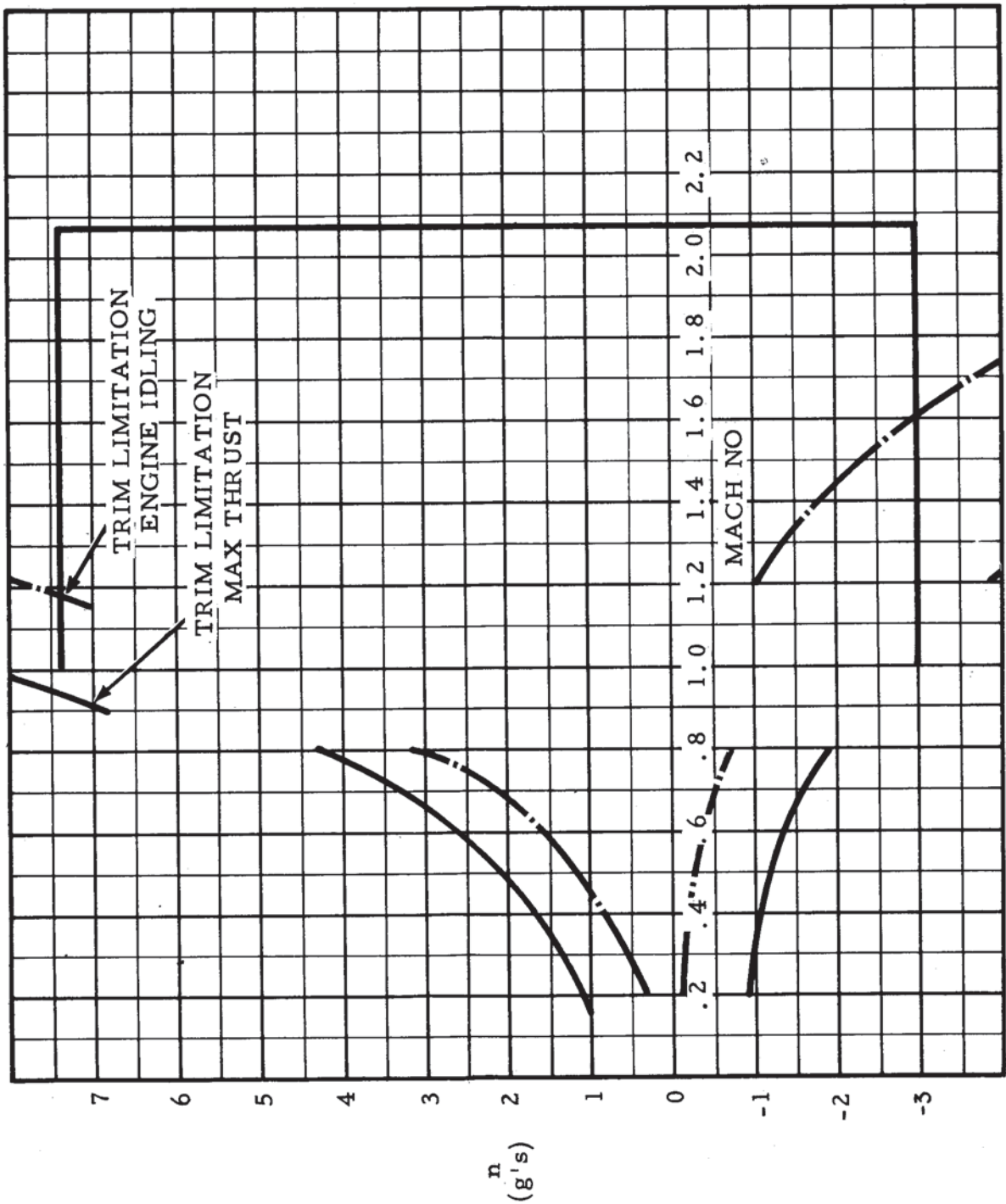


FIG. 24 PROJECT 1794 FLIGHT ENVELOPE 40000' W = 20000 LB



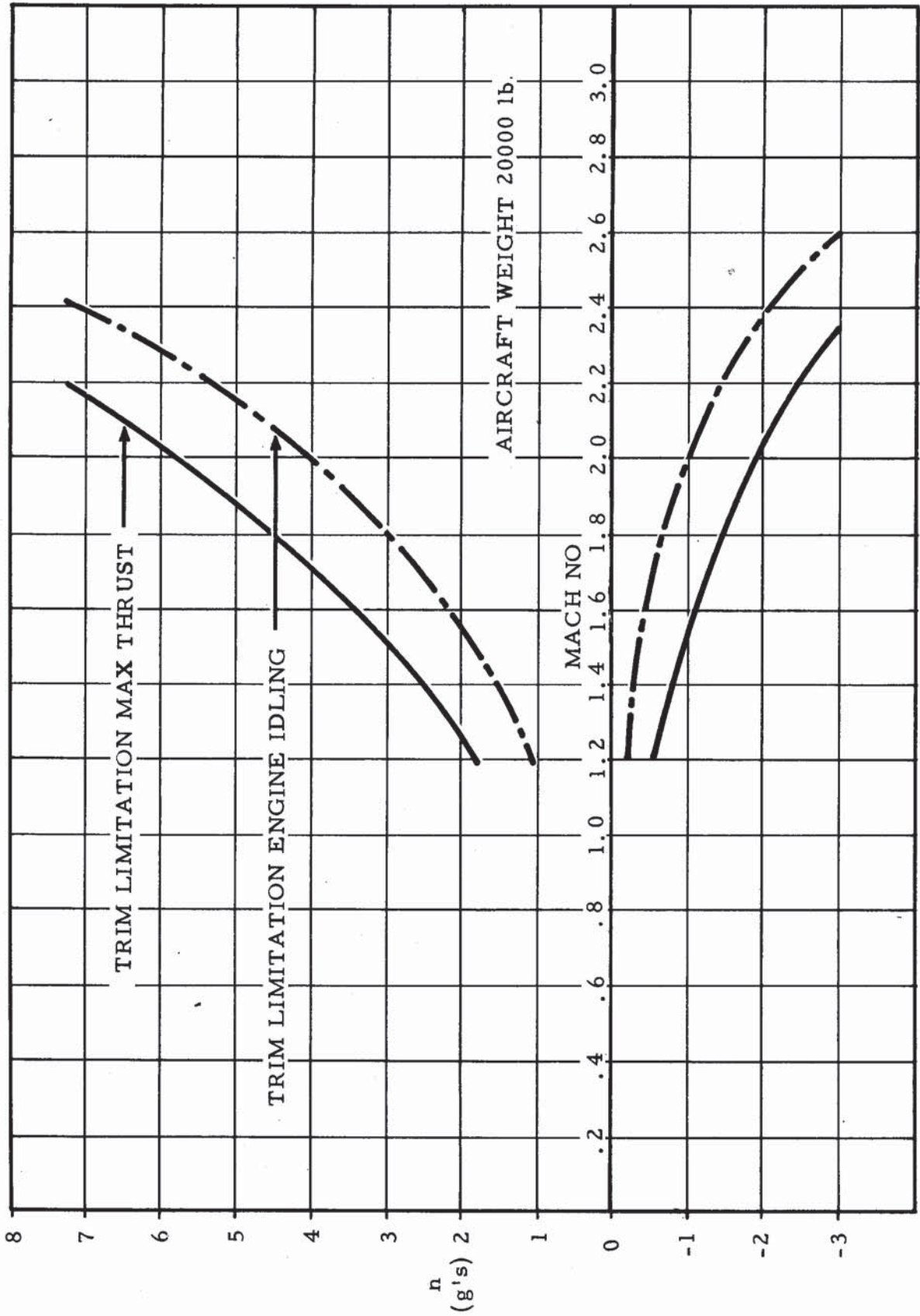
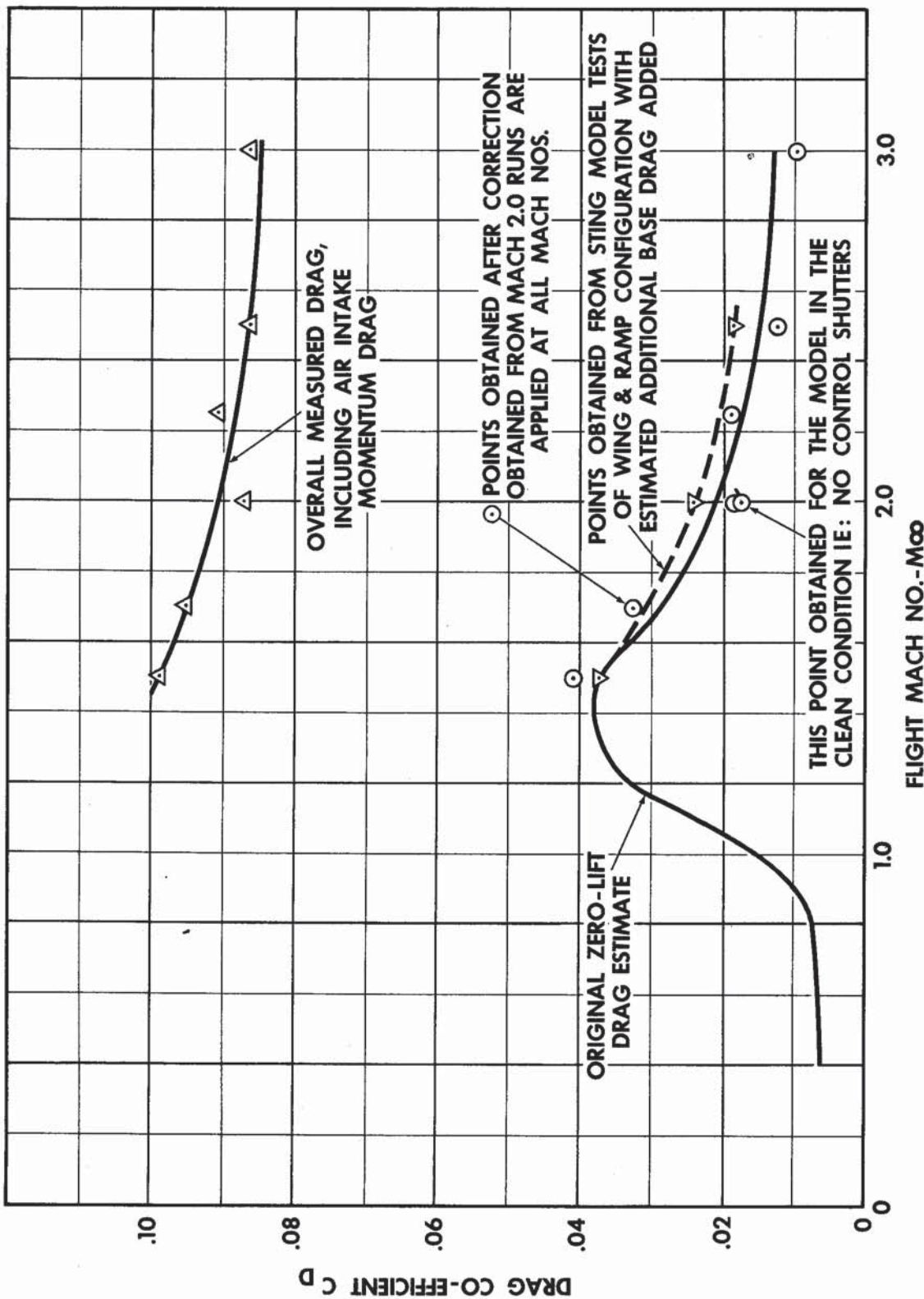
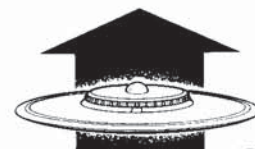
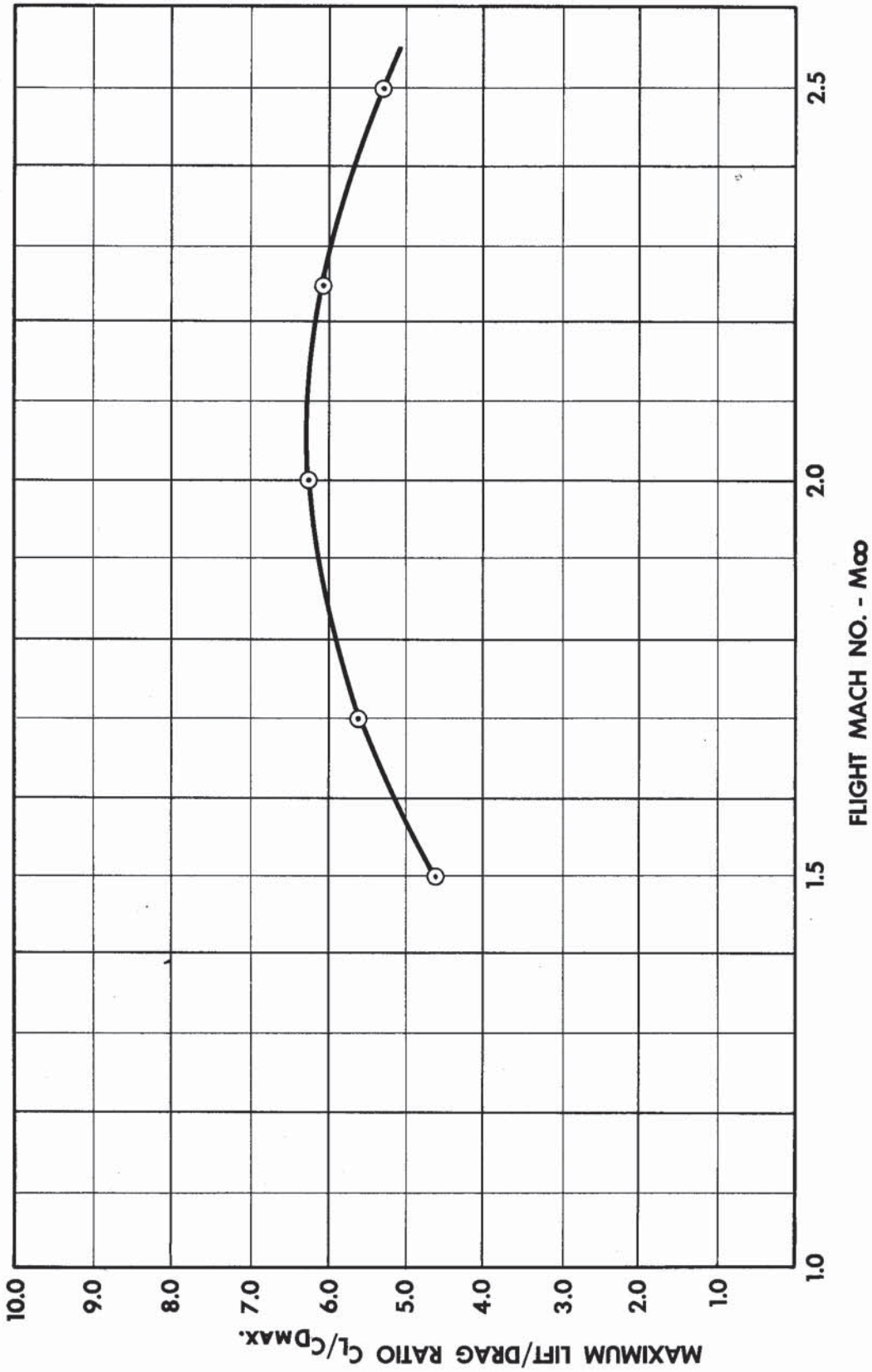
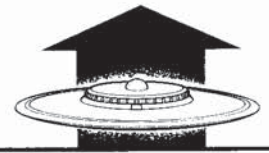


FIG 25 PROJECT 1794 FLIGHT ENVELOPE 80,000





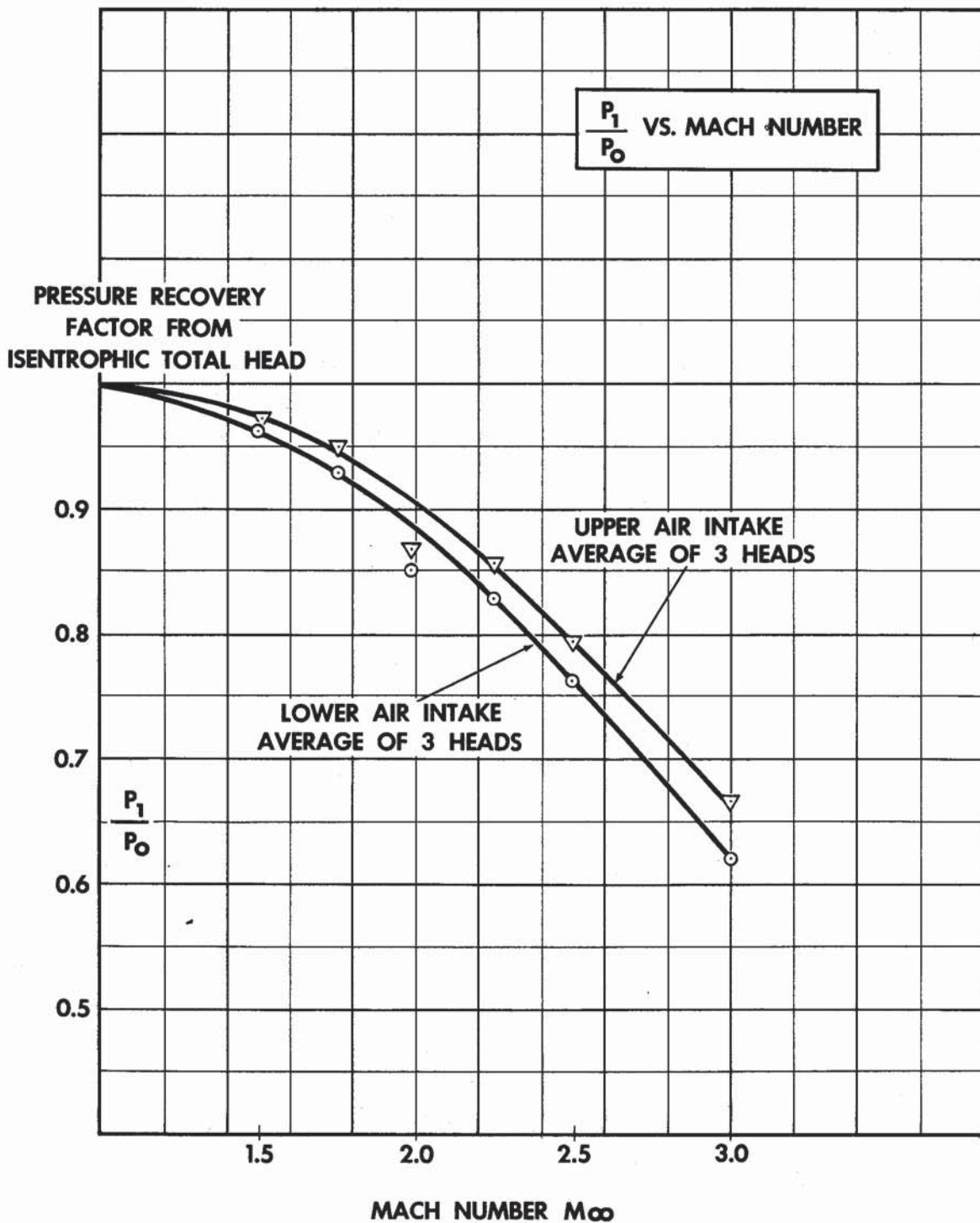
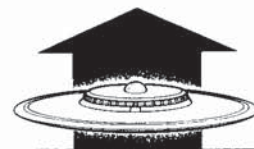
PROJECT 1794 ZERO LIFT DRAG AND MACH NO. FIG. 26



**PROJECT 1794 VARIATION OF MAXIMUM LIFT / DRAG RATIO WITH MACH NUMBER**

**FIG. 27**

1538-704-1



**PROJECT 1794 INTAKE PRESSURE RECOVERY**  
**FIG. 28**

1533-704-1



5.1.1.2  
(Cont'd)

(iv) To develop the air intake boundary layer bleeding system.

This is a simple cusp below the air entry; several shapes were tested with indication that considerable further improvement is possible.

5.1.1.3 A number of small scale tests was carried out in the contractor's 18" x 18" low subsonic and 8" x 11" supersonic open circuit tunnel (Figs. 29 and 30) as follows:

Preliminary subsonic transition characteristics (Fig. 31)

Preliminary subsonic jet-trim characteristics (Figs. 32, 33 and 34)

Preliminary supersonic jet-trim characteristics (Fig. 35)

Dynamic behaviour of rate and displacement stability models (Figs. 36 and 37)

Air intake internal flow model (Fig. 38 and 39)

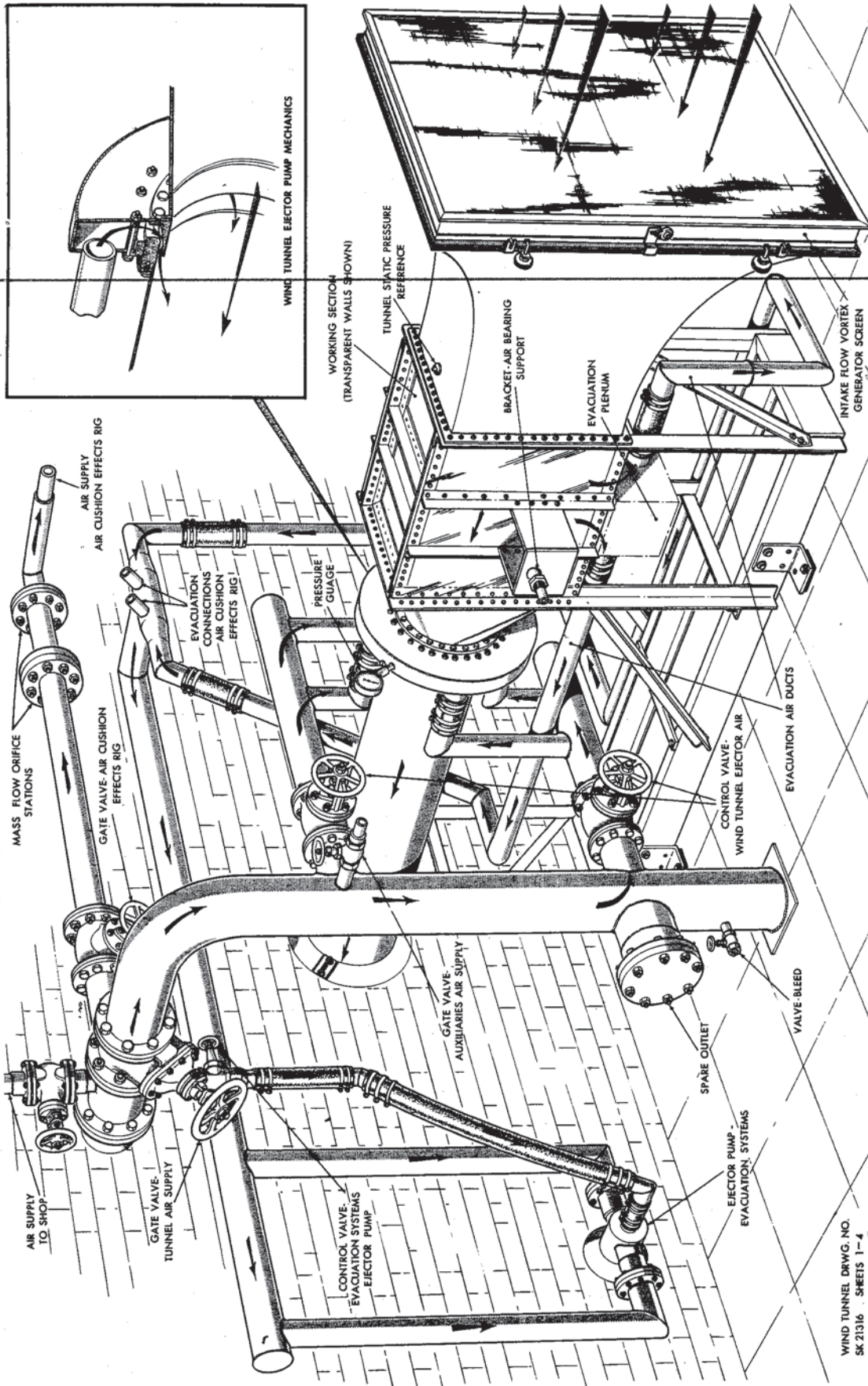
The preliminary tests were carried out on both half-plane and full models. The results were such as to justify the larger scale program which was then embarked upon, and no important conclusions not validated by the main program can be drawn. These tests have therefore not been reported in detail. Illustrations of the models appear in Figs. 31 through 39, as noted above.

Numerous further preliminary and ad hoc tests on other small models will almost certainly be required as design and development proceeds.



Declassified

SECRET



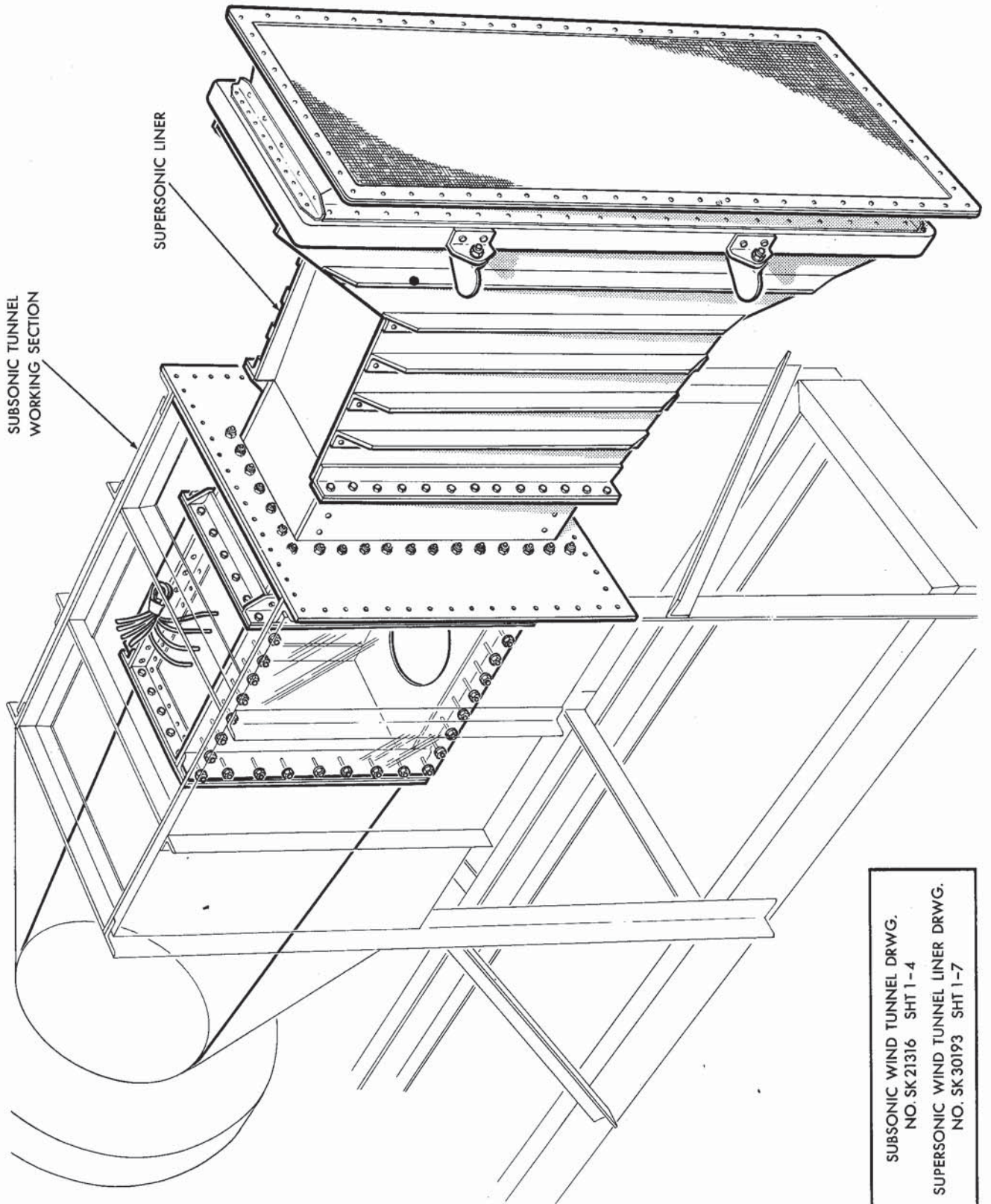
WIND TUNNEL DRWG. NO. SK 21316 SHEETS 1-4

1549-1794-2

AVRO EJECTOR WIND TUNNEL - (SUBSONIC INSTALLATION SHOWN)

SECRET

Declassified



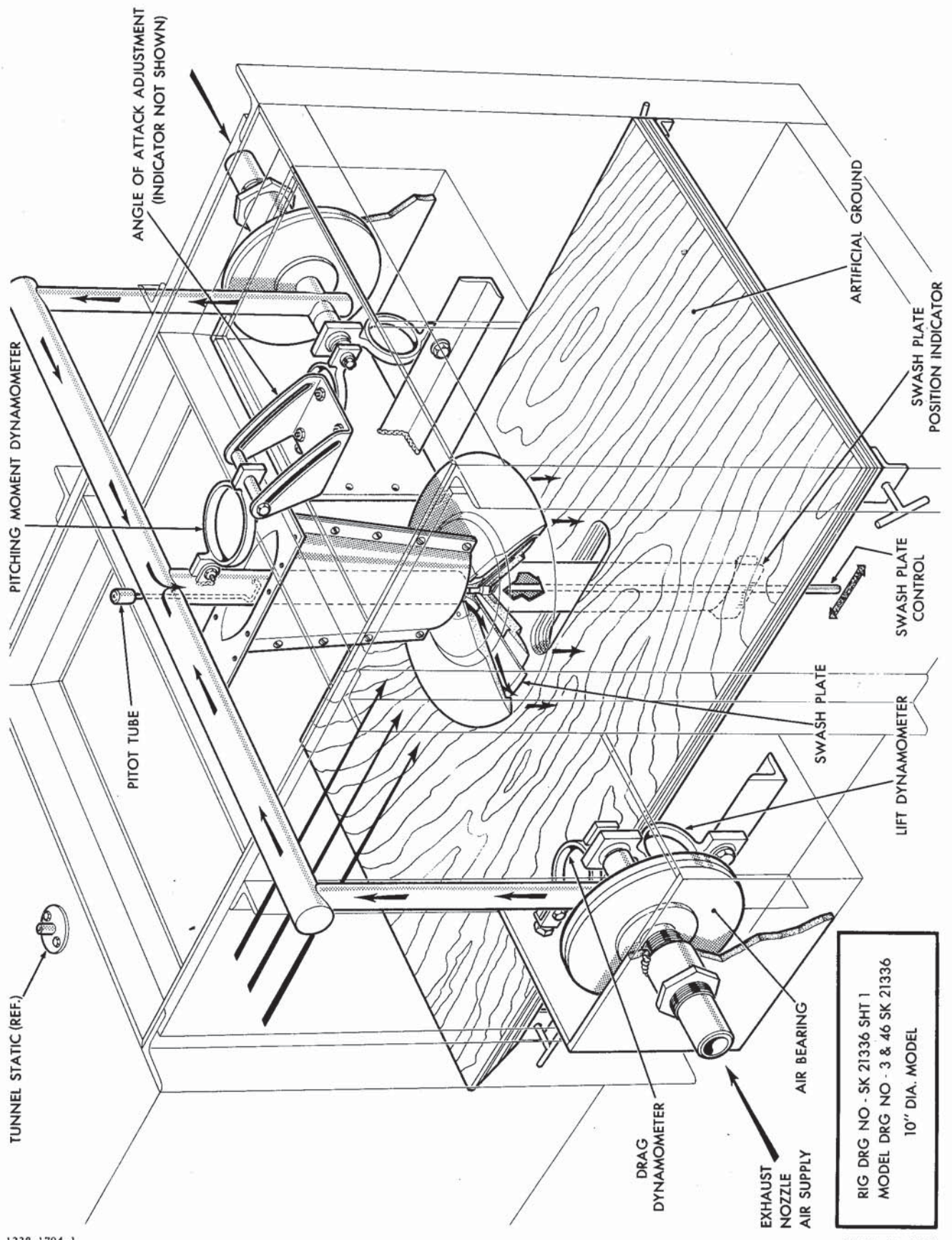
1503-1794-1

SUBSONIC WIND TUNNEL DRWG.  
NO. SK21316 SHT 1-4  
SUPERSONIC WIND TUNNEL LINER DRWG.  
NO. SK30193 SHT 1-7

APRIL 15, 1956

FIG. 30 INSTALLATION OF SUPERSONIC LINER IN AVRO SUBSONIC EJECTOR WIND TUNNEL





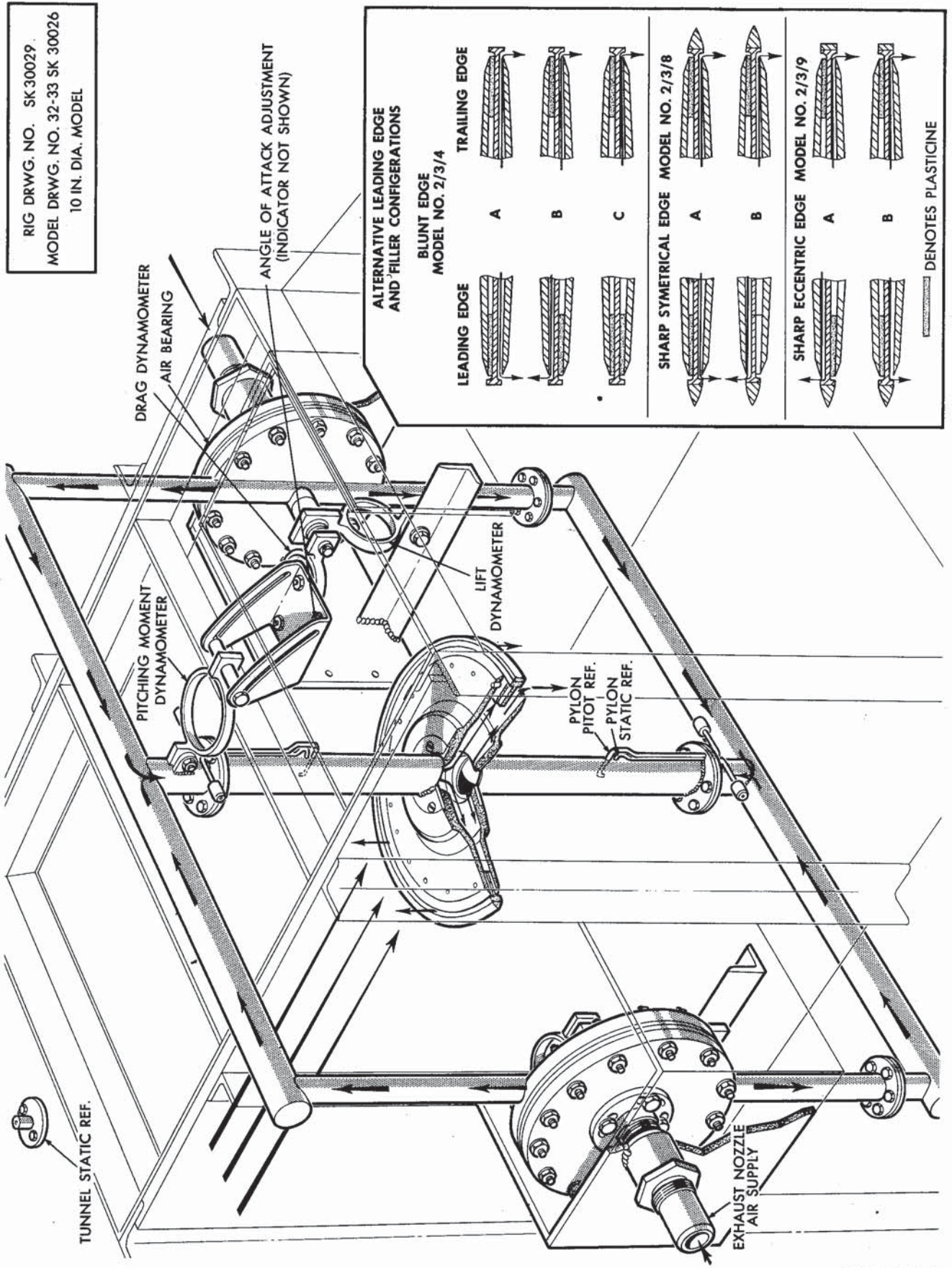
RIG DRG NO - SK 21336 SHT 1  
 MODEL DRG NO - 3 & 46 SK 21336  
 10" DIA. MODEL

1228-1794-1

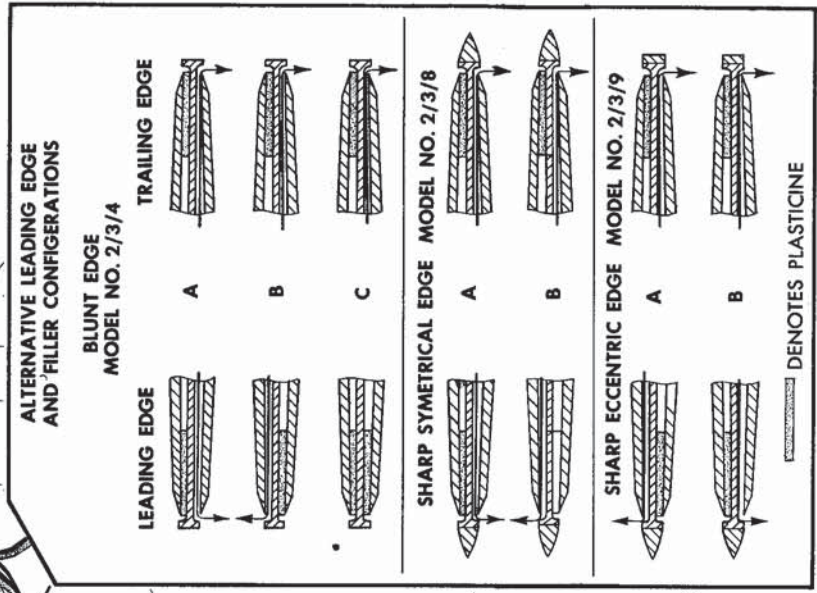
APRIL 15, 1956

FIG. 31 AIR CUSHION EFFECTS MODEL NO. 1/1/1





RIG DRWG. NO. SK 30029  
 MODEL DRWG. NO. 32-33 SK 30026  
 10 IN. DIA. MODEL

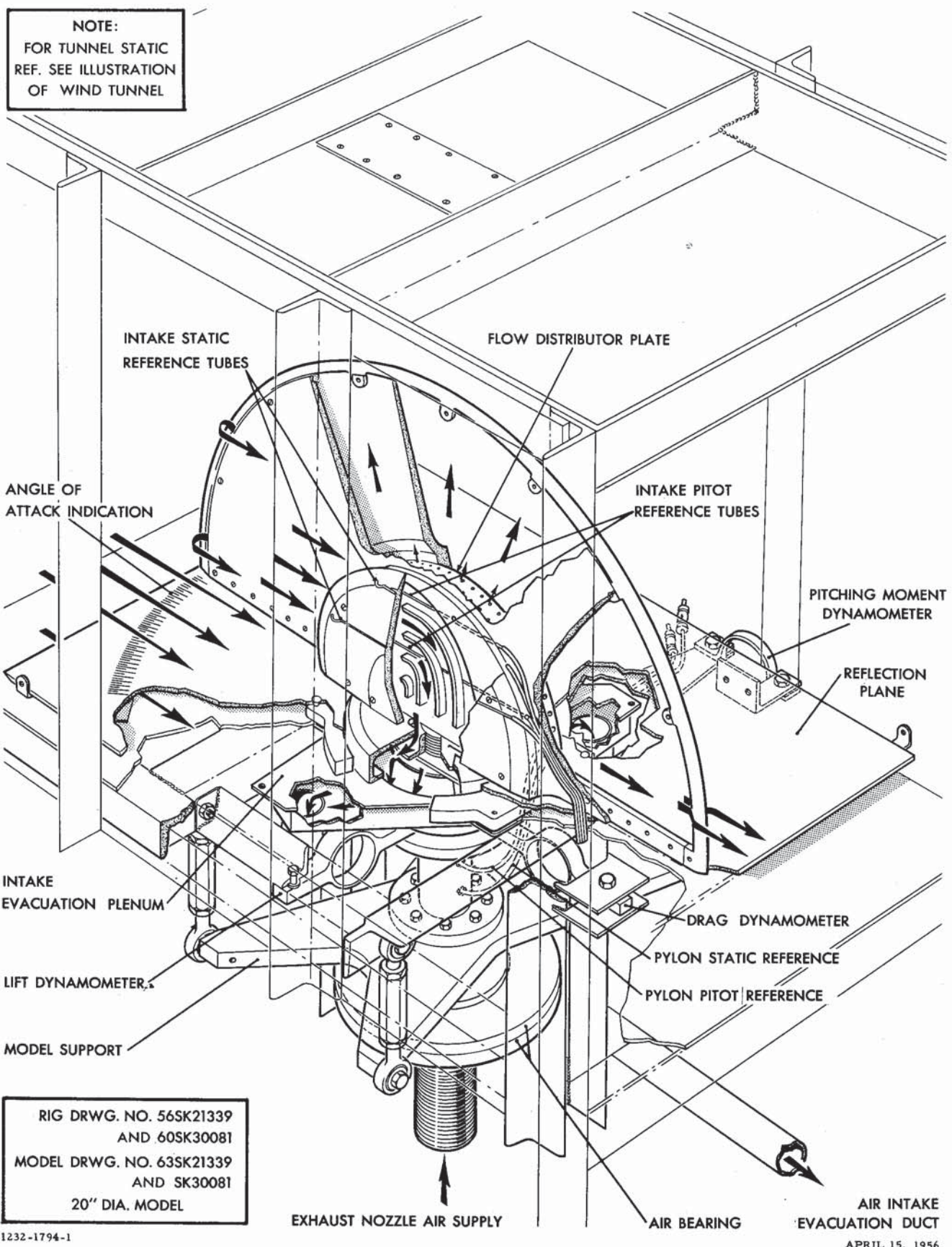


1236-1794

APRIL 15, 1956

FIG. 32 STABILITY AND CONTROL MODELS NO. 2/3/4, 2/3/8 AND 2/3/9



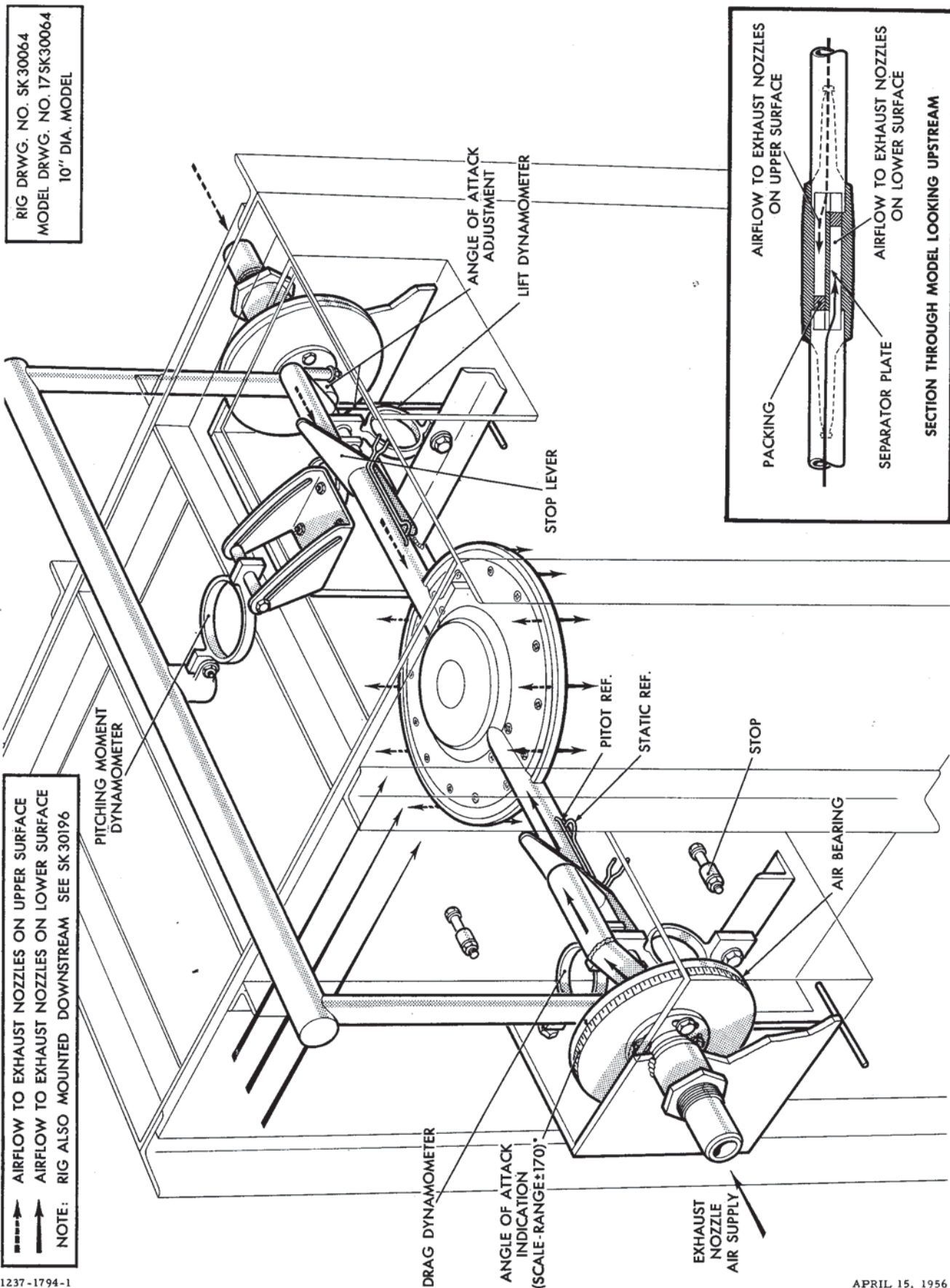


1232-1794-1

RIG DRWG. NO. 56SK21339  
AND 60SK30081  
MODEL DRWG. NO. 63SK21339  
AND SK30081  
20" DIA. MODEL

APRIL 15, 1956

FIG. 33 STABILITY AND CONTROL MODEL NO. 2/2/4



RIG DRWG. NO. SK 30064  
 MODEL DRWG. NO. 17SK30064  
 10" DIA. MODEL

AIRFLOW TO EXHAUST NOZZLES ON UPPER SURFACE  
 AIRFLOW TO EXHAUST NOZZLES ON LOWER SURFACE  
 NOTE: RIG ALSO MOUNTED DOWNSTREAM SEE SK 30196

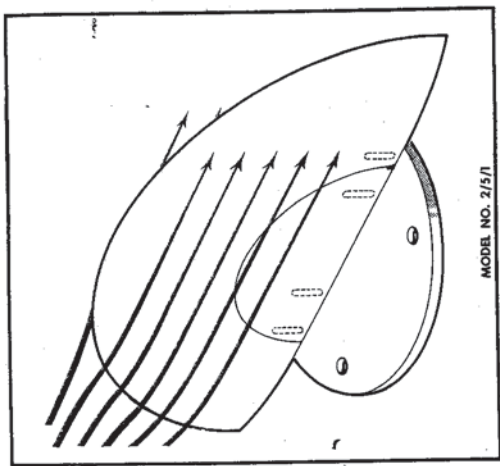
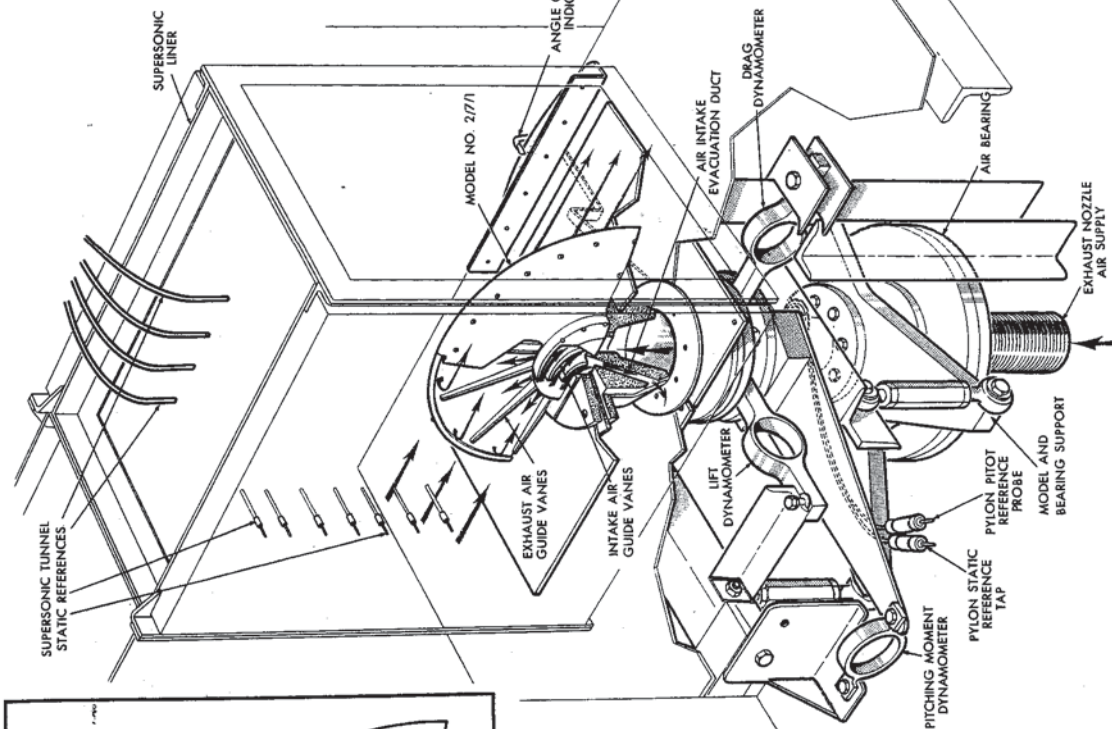
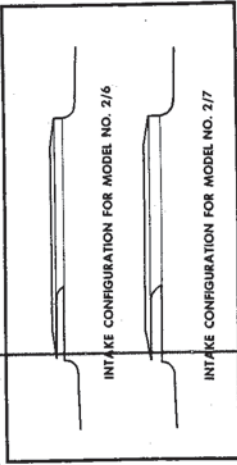
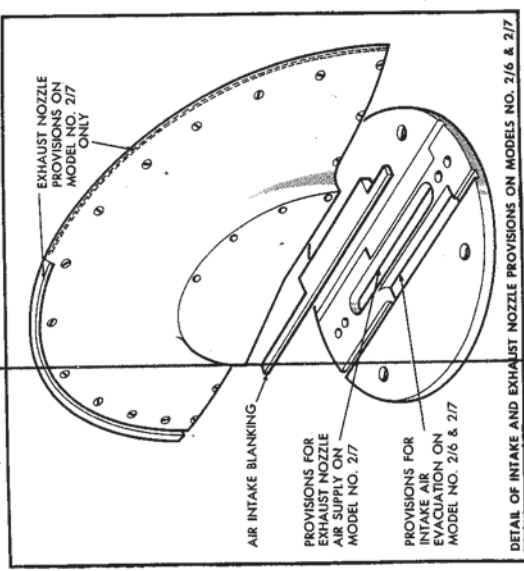
1237-1794-1

SECTION THROUGH MODEL LOOKING UPSTREAM

APRIL 15, 1956

FIG. 34 STABILITY AND CONTROL MODEL NO. 2/4/1

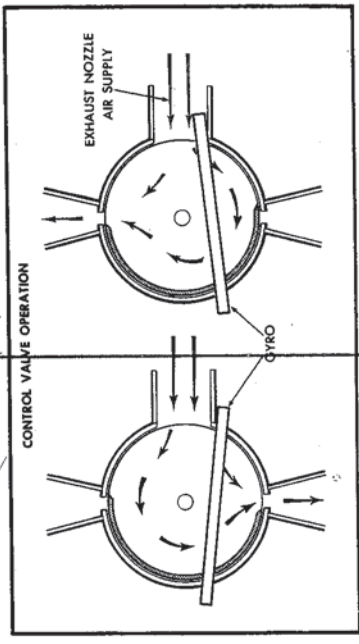
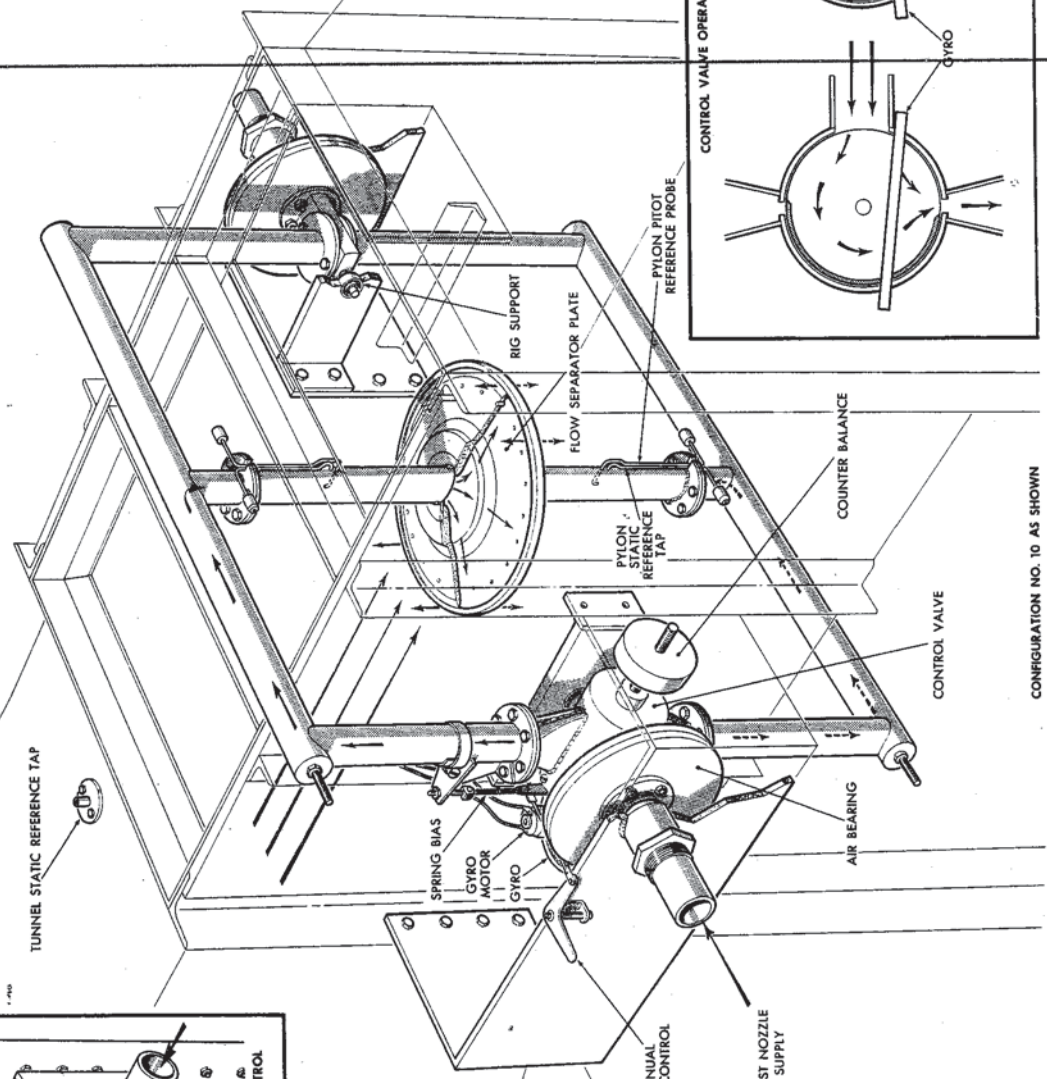
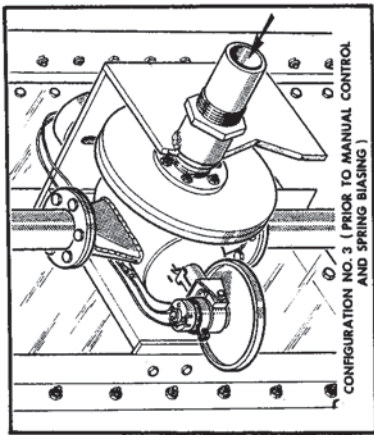




RIG DRWG. NOS. SK30195 SHT 1  
20SK21339  
MODEL DRWG. NOS. 2/6 2SK30195  
2/6 4SK30195  
2/7 4SK30195  
9" DIA. MODEL

NOTE  
1. MODEL NO. 2/6/1 WHICH IS NOT ILLUSTRATED IN FULL HAD A SOLID WING AND INTAKE ROOF INSTALLED AS NOTED  
2. MODEL NO. 2/6/2 IS MODEL NO. 2/6/1 WITH INTAKE ROOF REMOVED AND INTAKE DUCTS BLOCKED OFF  
3. MODEL NO. 2/7/2 IS MODEL NO. 2/7/1 WITH INTAKE ROOF REMOVED AND INTAKE DUCTS BLOCKED OFF

STABILITY AND CONTROL MODELS NO. 2/5, 2/6 AND 2/7



CONFIGURATION NO. 10 AS SHOWN

STABILITY AND CONTROL MODEL NO. 2/3/3 AND 2/3/10 (WITH TWO DEGREES OF FREEDOM)

RIG DRG. NO. SK30069  
 MODEL DRG. NO. 17 SK 30026  
 10 IN. DIA. MODEL

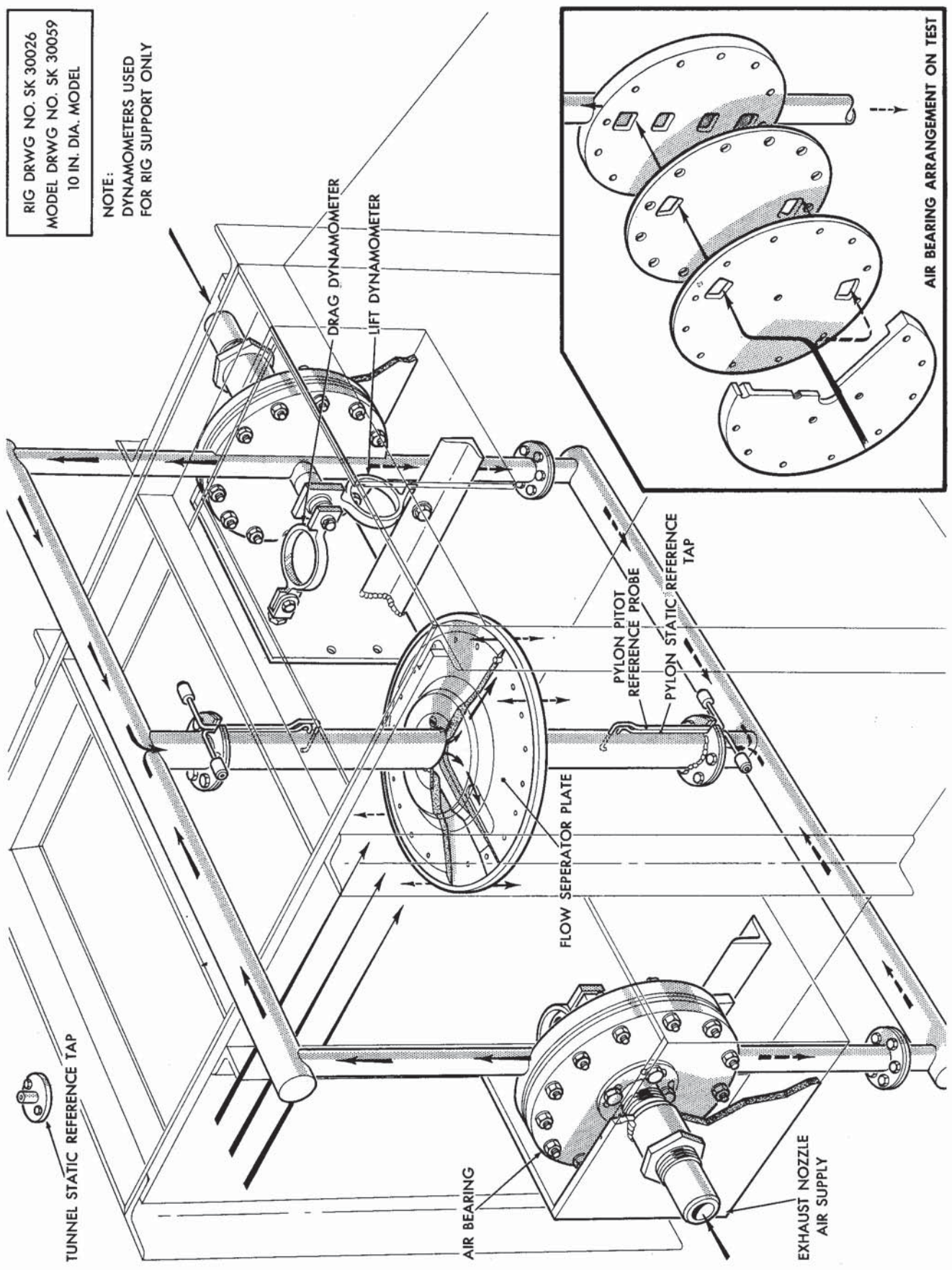
1235-1794-2

Revised May 18, 1956



RIG DRWG NO. SK 30026  
MODEL DRWG NO. SK 30059  
10 IN. DIA. MODEL

NOTE:  
DYNAMOMETERS USED  
FOR RIG SUPPORT ONLY



1371-1794-7

Revised May 18, 1956

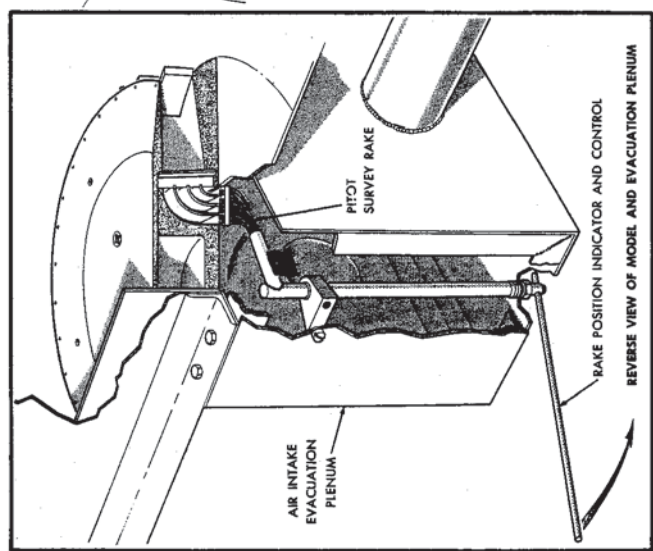
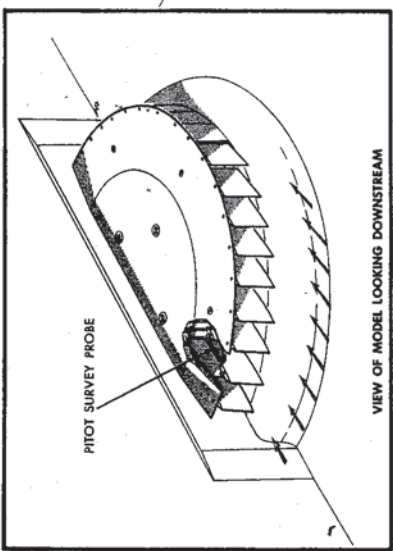
FIG. 37 STABILITY AND CONTROL MODEL NO. 2/3/12 (WITH TWO DEGREES OF FREEDOM)



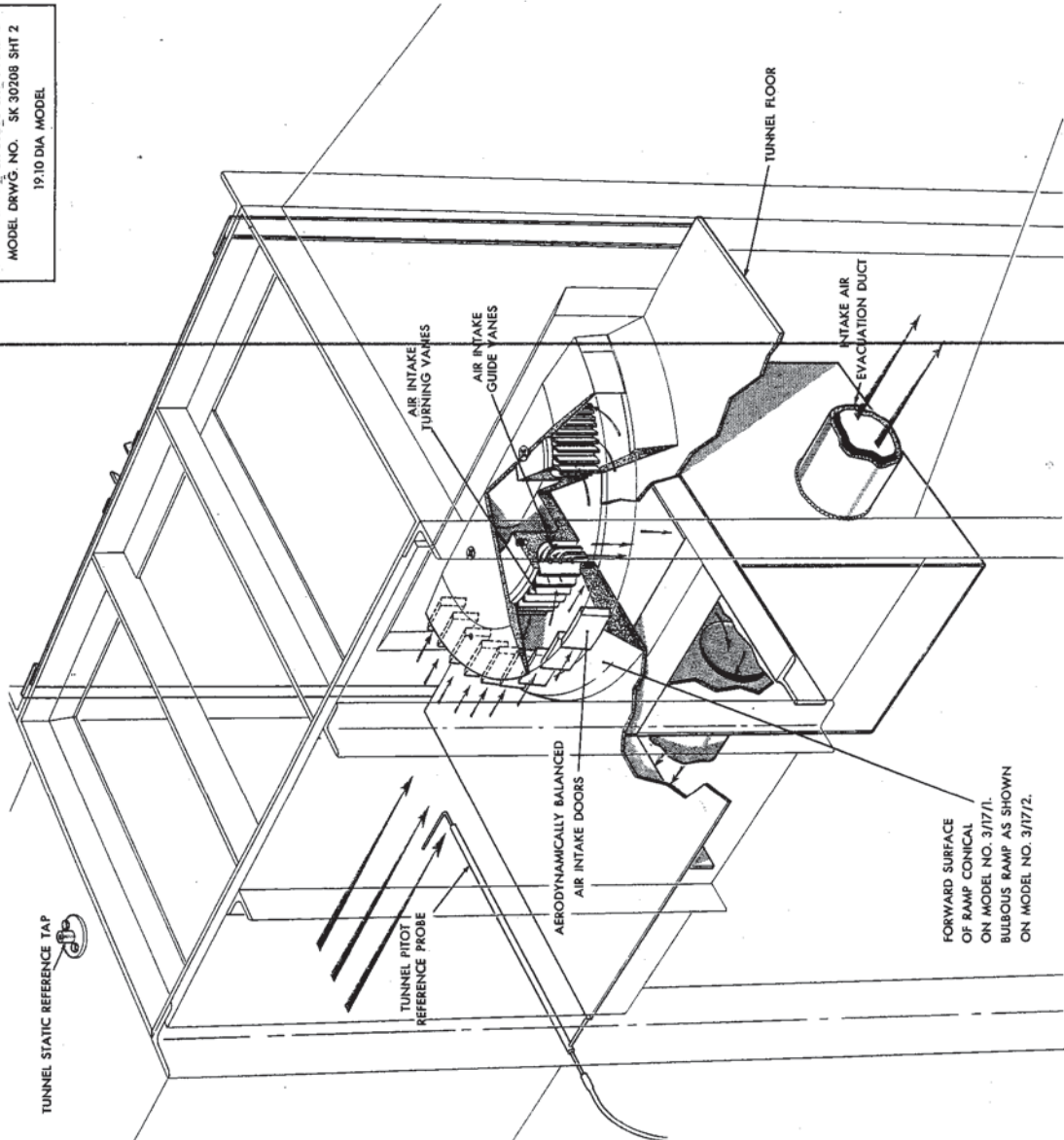
**SECRET** Declassified

RIG DRWG. NO. SK 30208 SHT 1 AND 2  
MODEL DRWG. NO. SK 30208 SHT 2  
19.10 DIA MODEL

MAY 2, 1956



1246-1794-2



AIR INTAKE AND GAS EXHAUST SYSTEM MODEL NO. 3/17/1 AND 3/17/2

**SECRET**

Declassified

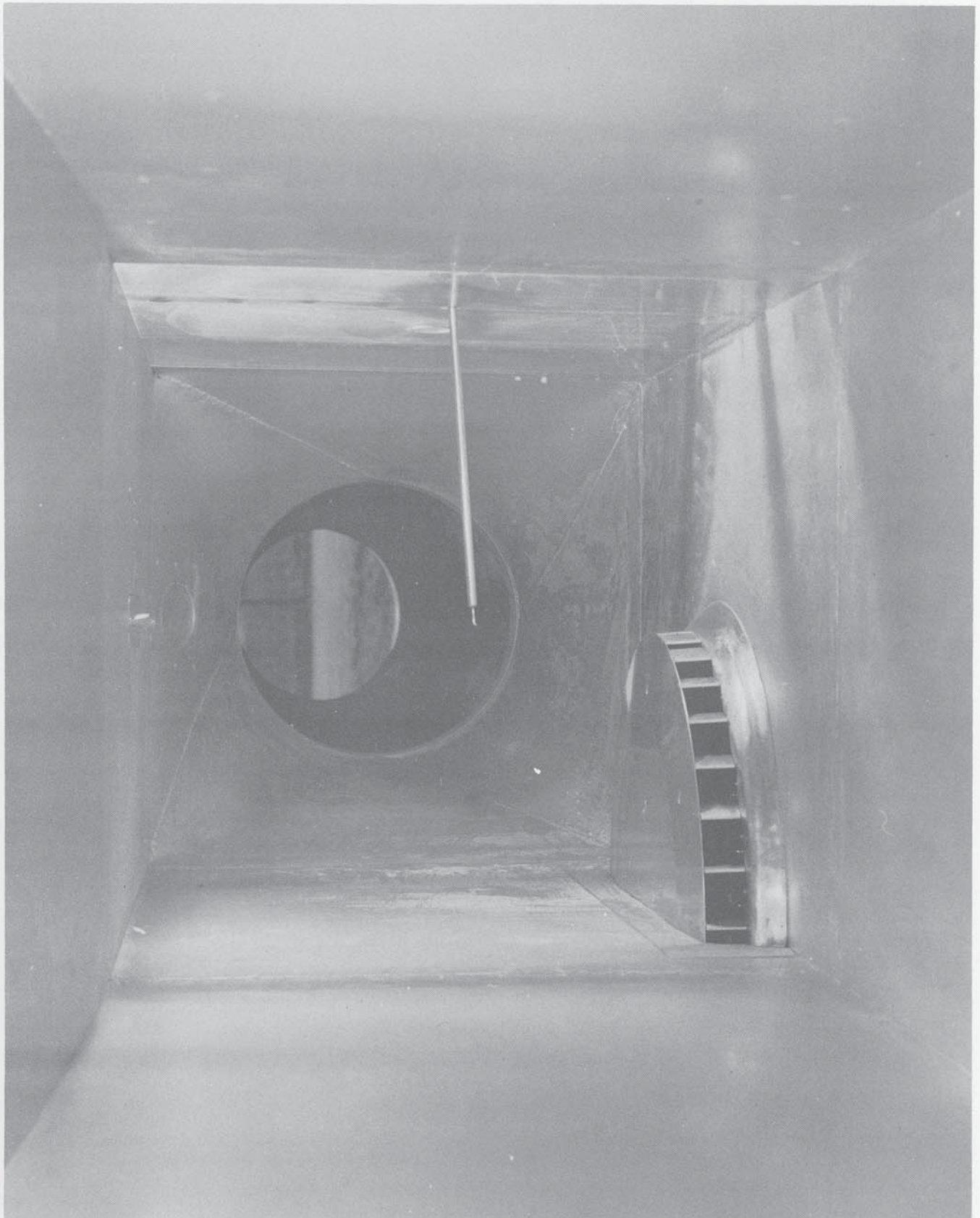


FIG. 39 INTERNAL FLOW INTAKE MODEL



5.1.1.3  
(Cont'd)

The dynamic models are illustrated in Figs. 36 and 37. These did not give quantitative data; in general the following behaviour was observed:

- (i) The displacement model showed static stability over a satisfactory angle of attack range, the angle of attack being controlled by the port setting supplying the controlling jets. Damping was poor, attributed to the restraint in the model from rise and fall.
- (ii) The rate model did not show dynamic stability but could easily be controlled with the additional pitch damping provided by the jets.

The present design incorporates both rate and displacement signals (Page 11). Additional tests and dimensional analysis of this type of model is desirable to investigate the dual control system.

The air intake internal airflow model is illustrated in Fig. 38-39. Due to a series of delays this model was not tested until late in the contract period. It was designed to obtain data on the pressure recovery and flow distribution to the eye of the impeller.

The following broad conclusions were reached:

- (i) In the static case pressure recovery and flow distribution were satisfactory and in accordance with the static thrust estimate.
- (ii) In forward flight pressure recovery to the front and rear





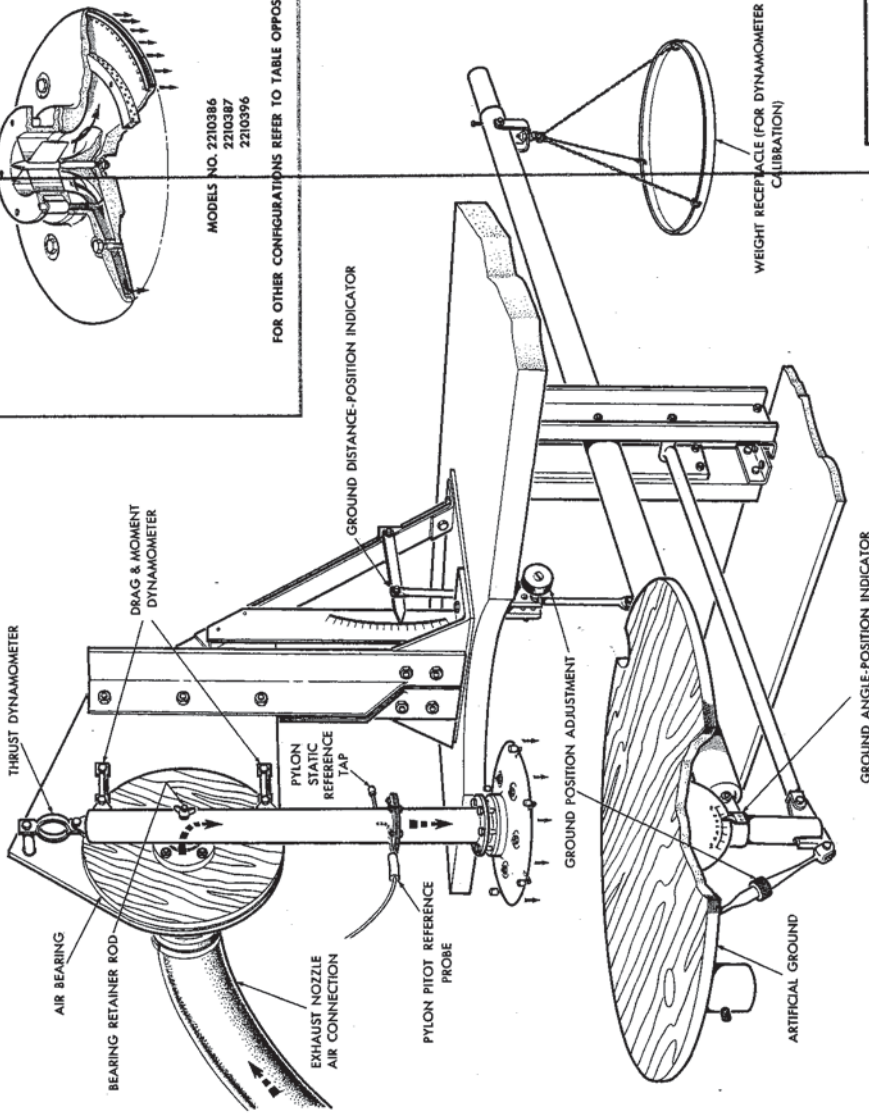
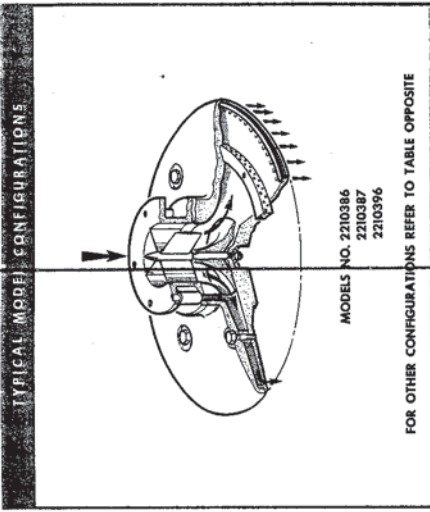
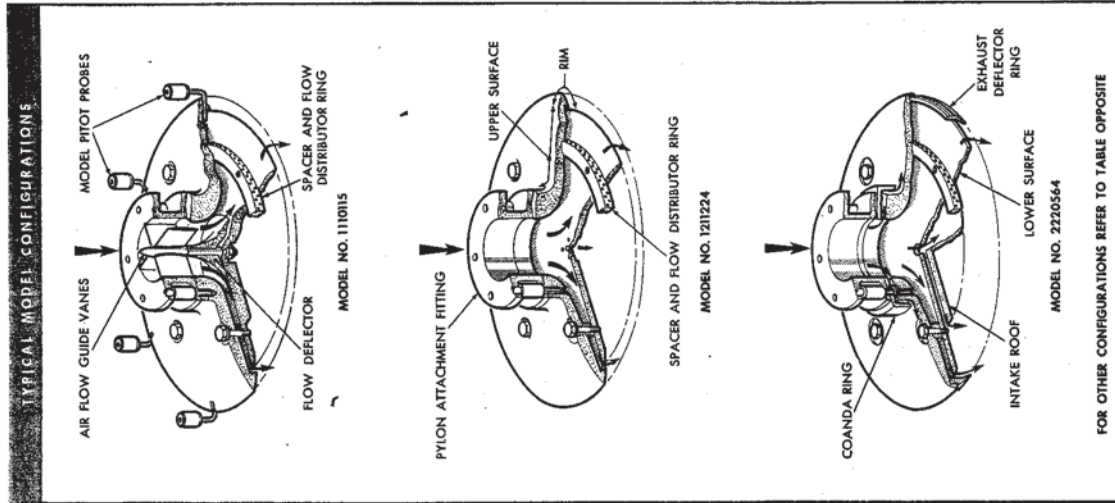
5.1.1.3  
(Cont'd)

sectors was satisfactory but flow distribution was unsatisfactory and the flow was not directed into the eye of the impeller at the side by the vertical cascades.

- (iii) Internal flow air intake tests at the small scale which the contractor's tunnel imposes are not satisfactory. Apart from the low Reynolds No., (particularly based on the chord of tiny cascades) the manufacturing difficulties of obtaining accurate flow passages are severe.

Further tests at larger scale are required to develop the internal air intake flow. An attractive alternative with radial cascades out to the intake edge is envisaged. It also seems likely that the intake flow will be much improved if some pre-swirl into the impeller eye is allowed and this is seen as a distinct advantage in the design of the impeller.

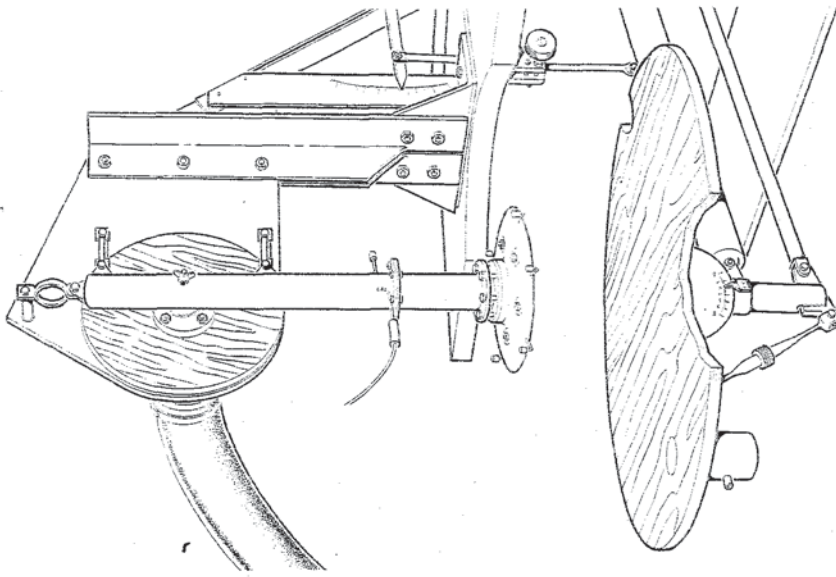
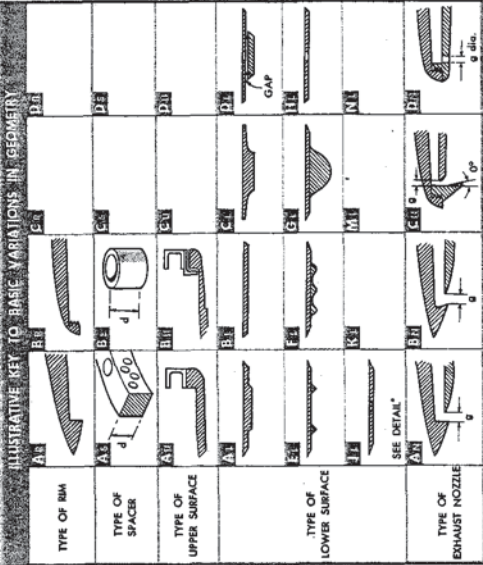
- 5.1.2 Air Cushion Effect Tests: Apart from the air cushion effect phase of the 1/6th scale subsonic model tests (Page 20) two series of tests have been carried out at Malton on a static rig. The first series (Figs. 40 and 41) was done on 10" diameter models and the second (Figs. 42 and 43) on 20" diameter models (four times the area and mass flow). The application of a peripheral jet to a delta shape (Fig. 44), the unsatisfactory result of having a wind<sup>a</sup>-around-jet configuration (Fig. 45), and the effect of a hot central exhaust have also been tested. The tests



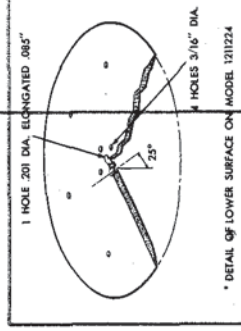
RIG DRWG. NO. SK 21295  
MODEL DRWG. NO. 50SK 21295  
104SK21925  
10" DIA. MODELS  
REVISED MAY 23, 1955

Declassified

SECRET



MODEL CONFIGURATION NO.	TYPE OF RIM	SPACER		TYPE OF SURFACE		EXHAUST NOZZLE TYPE	EXHAUST NOZZLE OUTLET ANGLE °	DIA. g (IN.)
		TYPE	DEPTH d (IN.)	UPPER	LOWER			
121134	Aq	A5	.315	AU	H <sub>1</sub>	CN	+13.5°	.048
121164	Aq	A5	.315	AU	H <sub>1</sub>	CN	-10°	.048
1210744	Aq	A5	.315	AU	D <sub>1</sub> .024" GAP	CN	+5°	.048
1210764	Aq	A5	.315	AU	D <sub>1</sub> .024" GAP	CN	-10°	.048
1210774	Aq	A5	.315	AU	D <sub>1</sub> .024" GAP	CN	-20°	.048
1210664	Aq	A5	.315	AU	D <sub>1</sub> .012" GAP	CN	-10°	.048
1210644	Aq	A5	.315	AU	D <sub>1</sub> .006" GAP	CN	-10°	.048
2210464	Bq	A5	.315	AU	D <sub>1</sub> NO GAP	CN	-10°	.048
2210544	Bq	A5	.315	Bu	D <sub>1</sub> .006" GAP	CN	+5°	.048
2210386	Bq	A5	.315	AU	C <sub>1</sub>	DN	0°	.093 (2.7)
2210387	Bq	A5	.315	AU	C <sub>1</sub>	DN	0°	.101 (2.4)
2210351	Bq	A5	.315	AU	C <sub>1</sub>	DN	+5°	.015
2210396	Bq	A5	.315	AU	C <sub>1</sub>	DN	-10°	.070
2210362	Bq	A5	.315	AU	B <sub>1</sub>	CH	-10°	.020
2210263	Bq	A5	.315	AU	B <sub>1</sub>	CH	-10°	.020
2210462	Bq	A5	.315	AU	D <sub>1</sub> NO GAP	CN	-10°	.020
2210463	Bq	A5	.315	AU	D <sub>1</sub> NO GAP	CN	-10°	.020
2210465	Bq	A5	.315	AU	D <sub>1</sub> NO GAP	CN	-10°	.020
2210472	Bq	A5	.315	AU	D <sub>1</sub> NO GAP	CN	-10°	.020
2210564	Bq	A5	.315	AU	D <sub>1</sub> .006" GAP	CN	-10°	.048
2210443	Bq	A5	.315	AU	D <sub>1</sub> NO GAP	CN	+5°	.020
2211343	Bq	A5	.315	AU	SUCTION	CN	+5°	.020
2510351	Bq	B5	.235	AU	C <sub>1</sub>	CN	0°	.040
2510352	Bq	B5	.235	AU	C <sub>1</sub>	CN	0°	.060
2510353	Bq	B5	.235	AU	C <sub>1</sub>	CN	0°	.080
2510354	Bq	B5	.235	AU	C <sub>1</sub>	CN	0°	.100



\* DETAIL OF LOWER SURFACE ON MODEL 1211224  
 \* DETAIL SHOWING METHOD OF DESIGNATING RIM ANGLE ON R TYPE EXHAUST NOZZLES

1551-1794-1

MAY 2, 1956

MODEL NO. 1/8 - CONFIGURATIONS TESTED

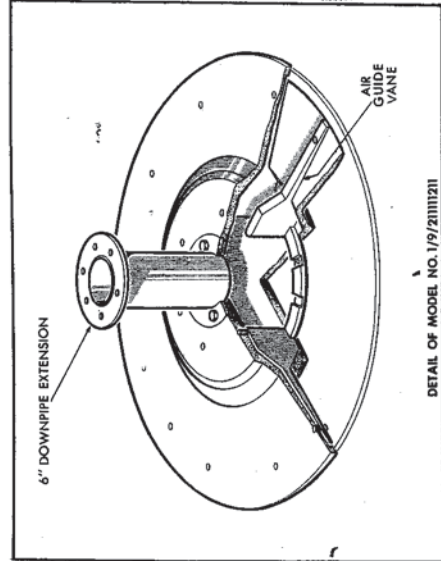
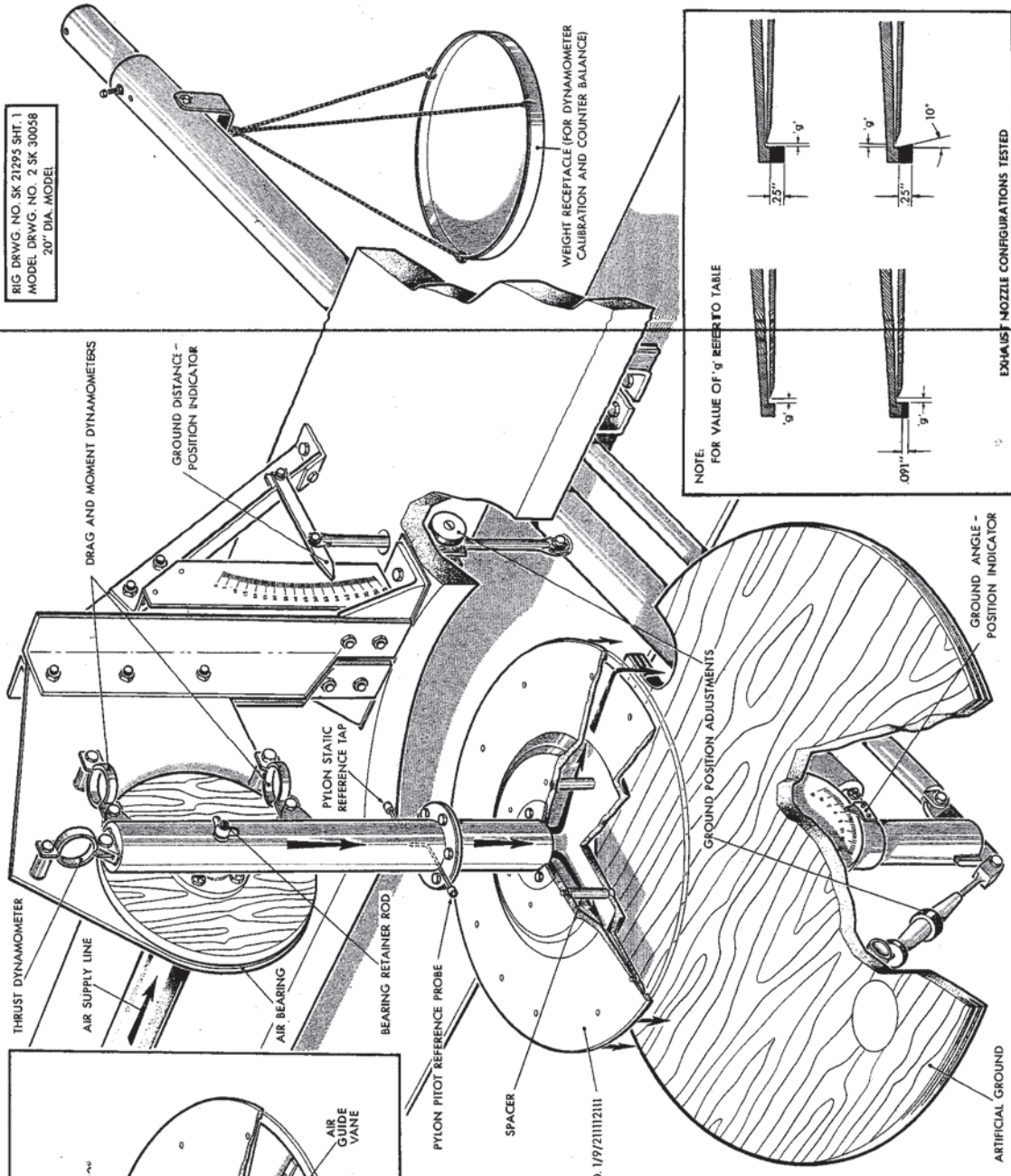
SECRET

Declassified



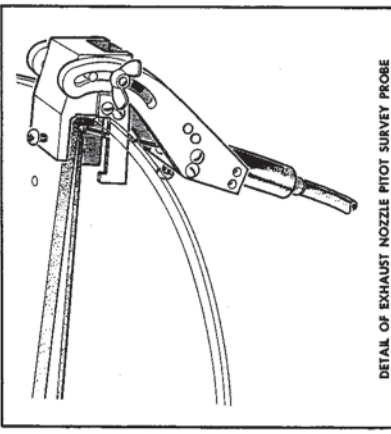
**SECRET** — Declassified

RIG DRWG. NO. SK 21295 SHT. 1  
MODEL DRWG. NO. 2 SK 30058  
20" DIA. MODEL

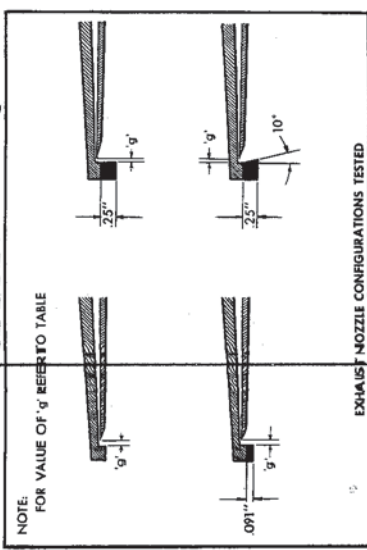


NOTE:  
THIS IS SHEET NO. 1.  
FOR OTHER ILLUSTRATIONS REFER  
TO SHEETS NO. 2, 3, ETC.  
FOR DETAILS OF OTHER  
CONFIGURATIONS AND LETTERED  
DIMENSIONS REFER TO TABLE

MODEL NO. 1/9/2111211



1224-1794-1



June 8, 1956.

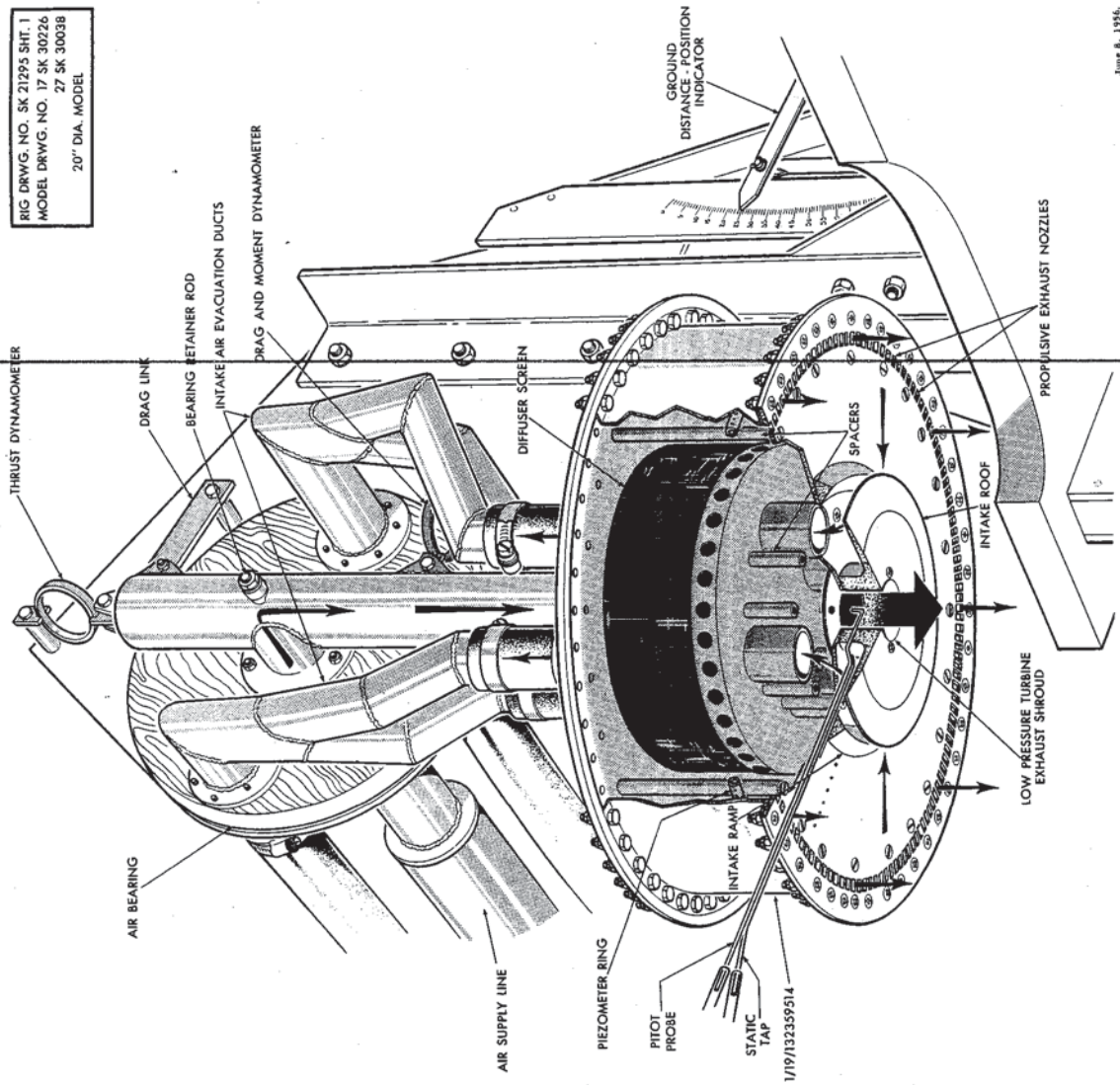
AIR CUSHION EFFECTS MODEL NO. 1/9

**SECRET**

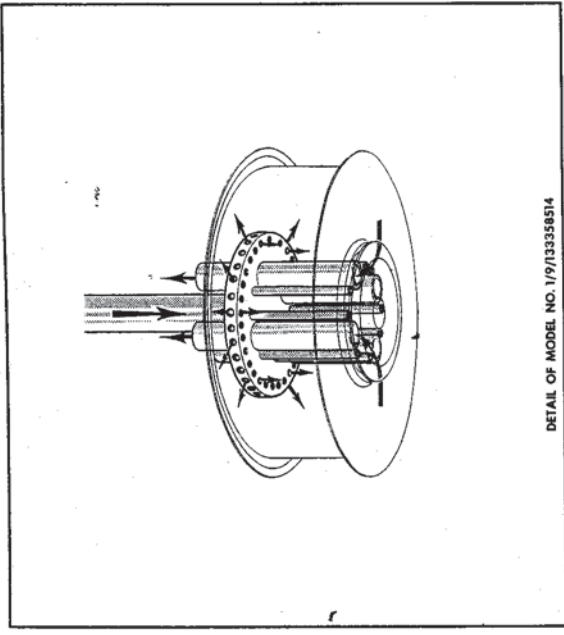
Declassified

Declassified SECRET

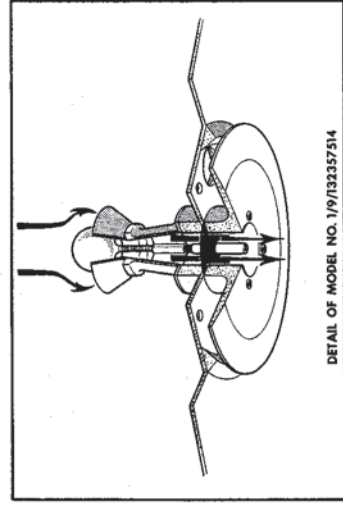
RIG DRWG. NO. SK 21295 SHT. 1  
MODEL DRWG. NO. 17 SK 30226  
27 SK 30038  
20" DIA. MODEL



June 8, 1956.



- NOTE:
1. THIS IS SHEET NO. 5 FOR OTHER ILLUSTRATIONS REFER TO SHEETS NO. 1, 2, 3, ETC. FOR OTHER CONFIGURATIONS REFER TO TABLE
  2. FOR PYLON PITOT REFERENCE PROBE AND TAP, AND ALSO THE ARTIFICIAL GROUND REFER TO ILLUSTRATION OF RIG



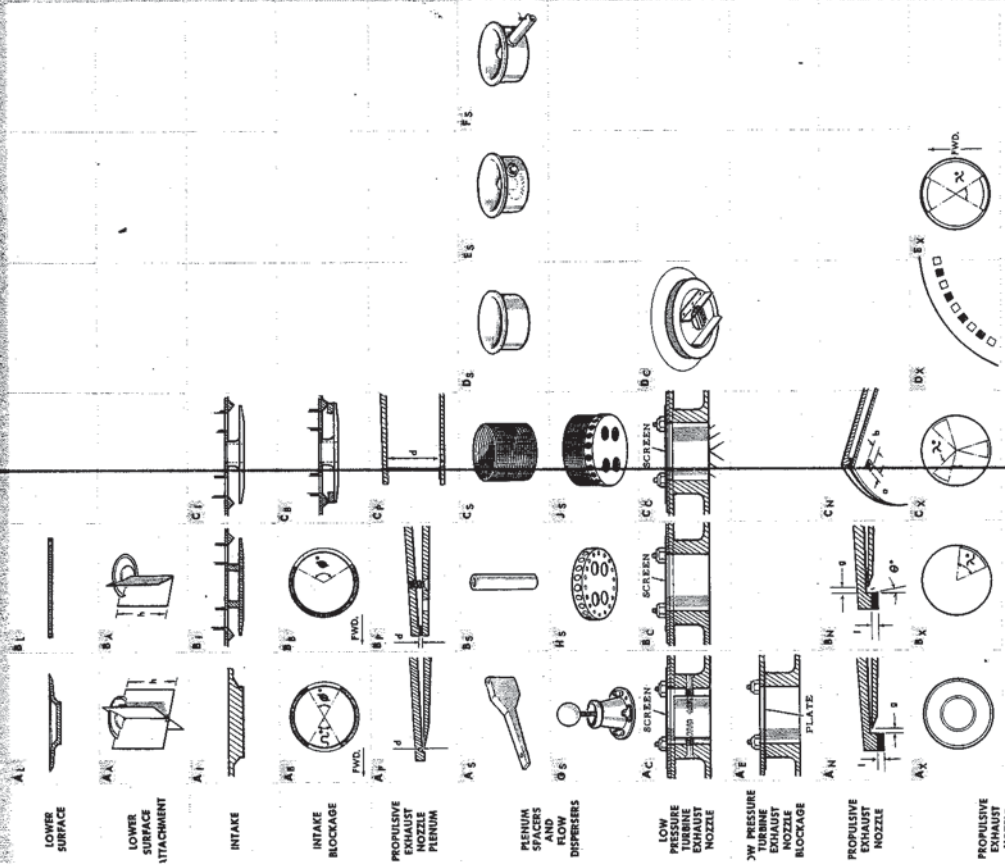
AIR CUSHION EFFECTS MODEL NUMBER 1/9 (CONTINUED)

SECRET  
Declassified

Declassified

SECRET

ILLUSTRATIVE KEY TO BASIC VARIATIONS IN GEOMETRY



MODEL NO.	C" PYLON EXTENSION		LOWER SURFACE ATTACHMENT		INTAKE		INTAKE BLOCKAGE		PROPELLIVE EXHAUST NOZZLE PLENUM		SPACERS AND FLOW DEPRESSERS		LOW PRESSURE TURBINE EXHAUST NOZZLE		L.P.T. EXHAUST NOZZLE BLOCKAGE		PROPELLIVE EXHAUST NOZZLE BLOCKAGE		
	IN	OUT	TYPE	DIM INCH	TYPE	Ø	TYPE	Ø	TYPE	DIM INCH	TYPE	NO. OF SAMPLES	TYPE	NO. OF SAMPLES	TYPE	Ø	TYPE	Ø	ANG °
1/9/2112211		OUT	A	SEE ELUS	A				A	.110"	B	5							
211112111	N	OUT	A		A				A	.030"	B	5							
211112211	N	OUT	A		A				A	.050"	B	5							
211112311	N	OUT	A		A				A	.050"	B	5							
211112411	N	OUT	A		A				A	.050"	B	5							
211112511	N	OUT	A		A				A	.050"	B	5							
211112611	N	OUT	A		A				A	.110"	B	5							
211112711	N	OUT	A		A				A	.110"	B	5							
211112811	N	OUT	A		A				A	.110"	B	5							
211112911	N	OUT	A		A				A	.110"	B	5							
211113011	N	OUT	A		A				A	.110"	B	5							
211113111	N	OUT	A		A				A	.110"	B	5							
211113211	N	OUT	A		A				A	.110"	B	5							
211113311	N	OUT	A		A				A	.110"	B	5							
211113411	N	OUT	A		A				A	.110"	B	5							
211113511	N	OUT	A		A				A	.110"	B	5							
211113611	N	OUT	A		A				A	.110"	B	5							
211113711	N	OUT	A		A				A	.110"	B	5							
211113811	N	OUT	A		A				A	.110"	B	5							
211113911	N	OUT	A		A				A	.110"	B	5							
211114011	N	OUT	A		A				A	.110"	B	5							
211114111	N	OUT	A		A				A	.110"	B	5							
211114211	N	OUT	A		A				A	.110"	B	5							
211114311	N	OUT	A		A				A	.110"	B	5							
211114411	N	OUT	A		A				A	.110"	B	5							
211114511	N	OUT	A		A				A	.110"	B	5							
211114611	N	OUT	A		A				A	.110"	B	5							
211114711	N	OUT	A		A				A	.110"	B	5							
211114811	N	OUT	A		A				A	.110"	B	5							
211114911	N	OUT	A		A				A	.110"	B	5							
211115011	N	OUT	A		A				A	.110"	B	5							
211115111	N	OUT	A		A				A	.110"	B	5							
211115211	N	OUT	A		A				A	.110"	B	5							
211115311	N	OUT	A		A				A	.110"	B	5							
211115411	N	OUT	A		A				A	.110"	B	5							
211115511	N	OUT	A		A				A	.110"	B	5							
211115611	N	OUT	A		A				A	.110"	B	5							
211115711	N	OUT	A		A				A	.110"	B	5							
211115811	N	OUT	A		A				A	.110"	B	5							
211115911	N	OUT	A		A				A	.110"	B	5							
211116011	N	OUT	A		A				A	.110"	B	5							
211116111	N	OUT	A		A				A	.110"	B	5							
211116211	N	OUT	A		A				A	.110"	B	5							
211116311	N	OUT	A		A				A	.110"	B	5							
211116411	N	OUT	A		A				A	.110"	B	5							
211116511	N	OUT	A		A				A	.110"	B	5							
211116611	N	OUT	A		A				A	.110"	B	5							
211116711	N	OUT	A		A				A	.110"	B	5							
211116811	N	OUT	A		A				A	.110"	B	5							
211116911	N	OUT	A		A				A	.110"	B	5							
211117011	N	OUT	A		A				A	.110"	B	5							
211117111	N	OUT	A		A				A	.110"	B	5							
211117211	N	OUT	A		A				A	.110"	B	5							
211117311	N	OUT	A		A				A	.110"	B	5							
211117411	N	OUT	A		A				A	.110"	B	5							
211117511	N	OUT	A		A				A	.110"	B	5							
211117611	N	OUT	A		A				A	.110"	B	5							
211117711	N	OUT	A		A				A	.110"	B	5							
211117811	N	OUT	A		A				A	.110"	B	5							
211117911	N	OUT	A		A				A	.110"	B	5							
211118011	N	OUT	A		A				A	.110"	B	5							
211118111	N	OUT	A		A				A	.110"	B	5							
211118211	N	OUT	A		A				A	.110"	B	5							
211118311	N	OUT	A		A				A	.110"	B	5							
211118411	N	OUT	A		A				A	.110"	B	5							
211118511	N	OUT	A		A				A	.110"	B	5							
211118611	N	OUT	A		A				A	.110"	B	5							
211118711	N	OUT	A		A				A	.110"	B	5							
211118811	N	OUT	A		A				A	.110"	B	5							
211118911	N	OUT	A		A				A	.110"	B	5							
211119011	N	OUT	A		A				A	.110"	B	5							
211119111	N	OUT	A		A				A	.110"	B	5							
211119211	N	OUT	A		A				A	.110"	B	5							
211119311	N	OUT	A		A				A	.110"	B	5							
211119411	N	OUT	A		A				A	.110"	B	5							
211119511	N	OUT	A		A				A	.110"	B	5							
211119611	N	OUT	A		A				A	.110"	B	5							
211119711	N	OUT	A		A				A	.110"	B	5							
211119811	N	OUT	A		A				A	.110"	B	5							
211119911	N	OUT	A		A				A	.110"	B	5							
211120011	N	OUT	A		A				A	.110"	B	5							

MODEL NO. 1/9 AND 1/10 - CONFIGURATIONS TESTED - TABLE 1

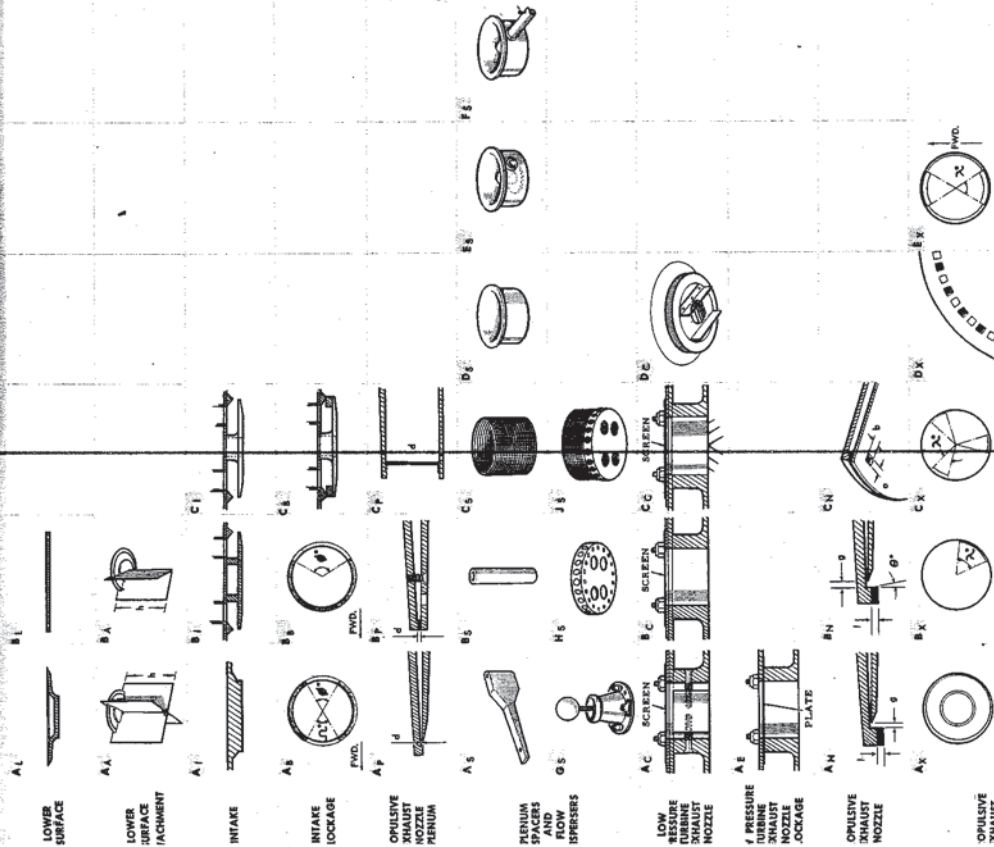
SECRET - Declassified



Declassified

SECRET

ILLUSTRATIVE KEY TO BASIC VARIATIONS IN GEOMETRY

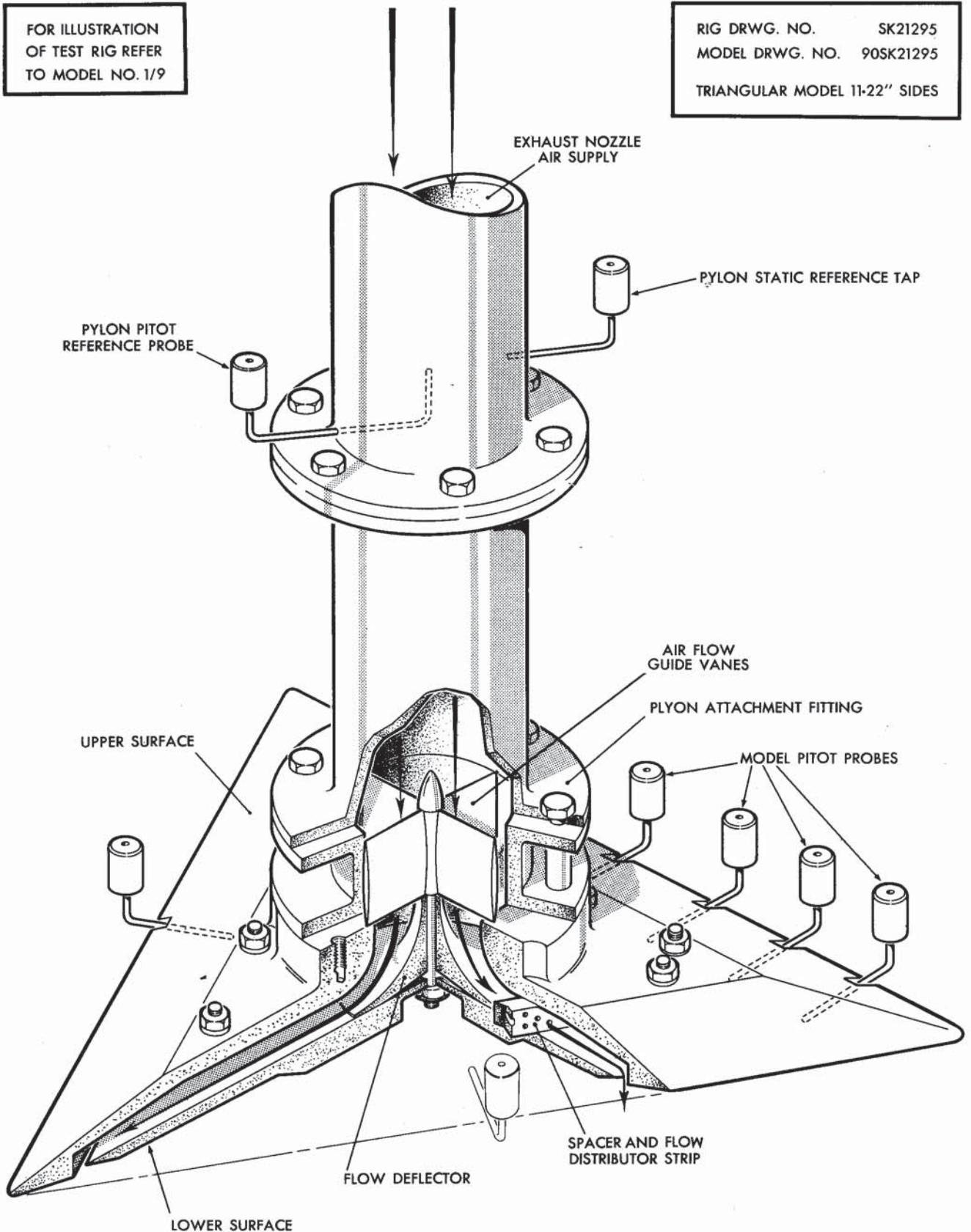


MODEL NO.	6" PYLON EXTENSION		LOWER SURFACE ATTACHMENT		INTAKE	INFAKE BLOCKAGE		PROPULSIVE EXHAUST NOZZLE PLENUM	SPACERS AND FLOW DISPERSERS	LOW PRESSURE TURBINE EXHAUST NOZZLE	L.P.T. EXHAUST NOZZLE BLOCKAGE	PROPULSIVE EXHAUST NOZZLE	
	IN	OUT	TYPE	DIA "N"		TYPE	θ°					TYPE	θ°
1/9/13158214	OUT	OUT	B, L		C, I	∪		C, P 6.0"	B, S, S		A, E	C, N	320° 405°
13258514	OUT	OUT	B, L		C, I	∪		C, P 6.0"	B, S, S		A, E	C, N	320° 405°
13358514	OUT	OUT	B, L		C, I	∪		C, P 6.0"	B, S, S		A, E	C, N	320° 405°
13158224	OUT	OUT	B, L		C, I	∪		C, P 6.0"	B, S, S		A, E	C, N	320° 405°
13158524	OUT	OUT	B, L		C, I	∪		C, P 6.0"	B, S, S		A, E	C, N	320° 405°
13159514	OUT	OUT	B, L		C, I	∪		C, P 6.0"	B, S, S		A, E	C, N	320° 405°
13259514	OUT	OUT	B, L		C, I	∪		C, P 6.0"	B, S, S		A, E	C, N	320° 405°
13359514	OUT	OUT	B, L		C, I	∪		C, P 6.0"	B, S, S		A, E	C, N	320° 405°
13159524	OUT	OUT	B, L		C, I	∪		C, P 6.0"	B, S, S		A, E	C, N	320° 405°
13159534	OUT	OUT	B, L		C, I	∪		C, P 6.0"	B, S, S		A, E	C, N	320° 405°
1/80/2211	OUT	OUT	A, L	B, A	A, I	∪		A, P 5.00"	B, S		A, E	A, N	320° 405°

SECRET - Declassified

FOR ILLUSTRATION  
OF TEST RIG REFER  
TO MODEL NO. 1/9

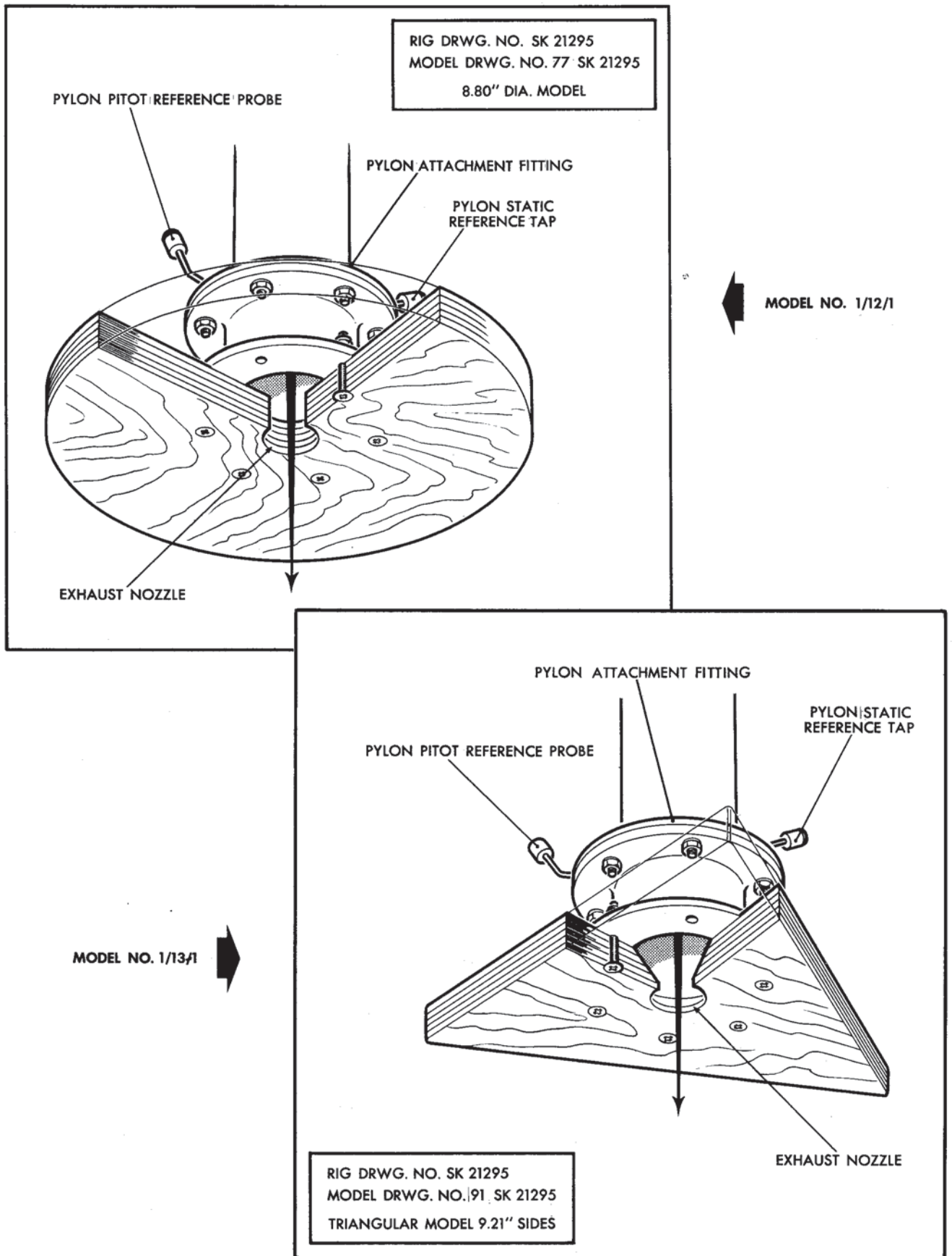
RIG DRWG. NO. SK21295  
MODEL DRWG. NO. 90SK21295  
TRIANGULAR MODEL 11-22" SIDES



1565-1794-2

MAY 3, 1956

FIG. 44  
AIR CUSHION EFFECTS MODEL NO. 1/26/1

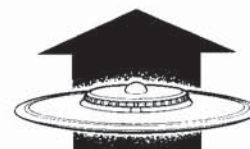


1226-1794-1

APRIL 25 - 1956

FIG. 45 AIR CUSHION EFFECTS MODELS NO. 1/12 AND 1/13





5.1.2  
(Cont'd)

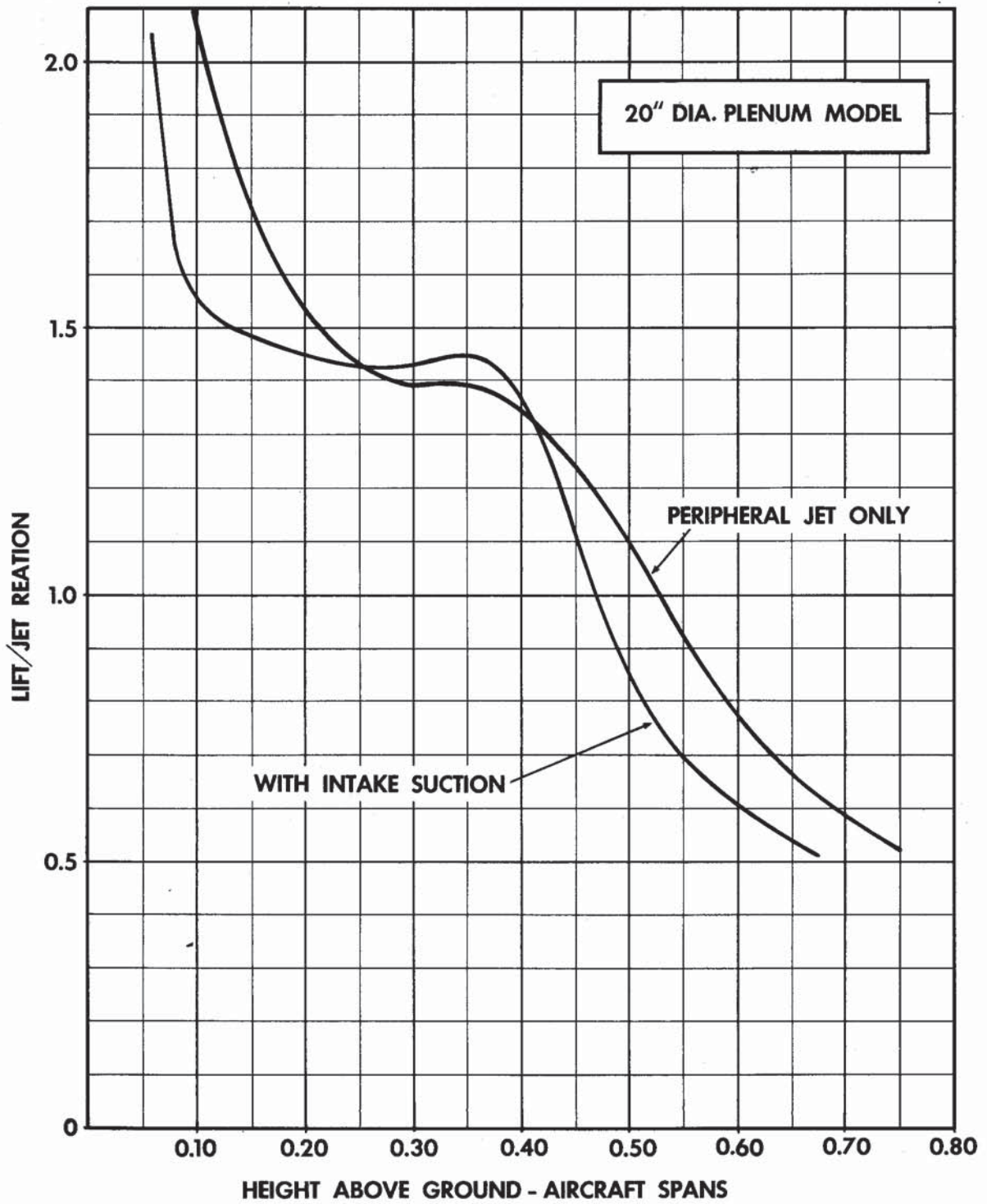
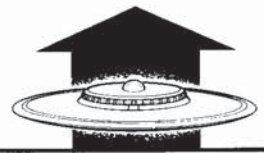
that have been carried out are listed in Fig. 41 and on Pages 59 and 60.

Broad conclusions are as follows:

- (i) There was very little change in the ground cushion due to the change in scale.
- (ii) The lift augmentation extends at a high level to between 45 and 60 percent of the span, as much as 1.8 times the jet thrust has been recorded at 45 percent span from the ground. After this it falls off rapidly to between 50 and 60 percent of the jet thrust in free air. The free air thrust can be restored by shutting off the jet over local arcs around the perimeter.
- (iii) The air cushion is found to be affected by the following:
  - (a) The angle the jet leaves the nozzle
  - (b) The jet aspect ratio (circumference/width)
  - (c) The lower surface air intake
  - (d) The lower surface central exhaust (from the power turbine)
  - (e) The shape of the lower surface
  - (f) The distance apart of the exhaust nozzles

It has not been found that moderate changes in any of these parameters makes a drastic alteration in the general air cushion characteristic, although the detail effects have been quite considerable.

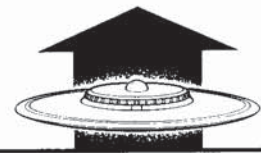
The design of the aircraft to some extent prejudices the achievement of the optimum ground cushion effect. Fig. 46, showing the



**PROJECT 1794 EFFECT OF LOWER INTAKE SUCTION ON GROUND CUSHION EFFECT**

**FIG. 46**

1554-704-1



5.1.2  
(Cont'd)

difference due to the lower surface air intake is regarded as typical. Difficulties have been encountered in achieving complete similarity to full scale in these tests, principally those of matching the three flows on the lower surfaces - the air intake, the peripheral jet and the central exhaust - and of obtaining a representative flow into the air intake. Further tests are therefore necessary so that the exact ground cushion effect for the configuration with full air intake, hot central exhaust and exact aircraft nozzle geometry can be obtained.

5.1.3 Stability and Control Tests: Tests relating to the stability and control area involved the collection of aerodynamic and control data from wind tunnel tests and have been noted in 5.1.1.

Further tests on these wind tunnel models have also been suggested in that section. In addition the following tests are considered necessary:

- (i) Transonic aerodynamic and control data is required; for which a new force model with provision for air intake and exhaust jet flow simulation is needed.
- (ii) Rig tests to determine the behaviour of the pneumatic system and shutters, particularly the speed of response, are required. A simple rig containing one pair of nozzles has already been constructed (Fig. 47) and this will be used to obtain response data and to develop the shutter control. The final stage is



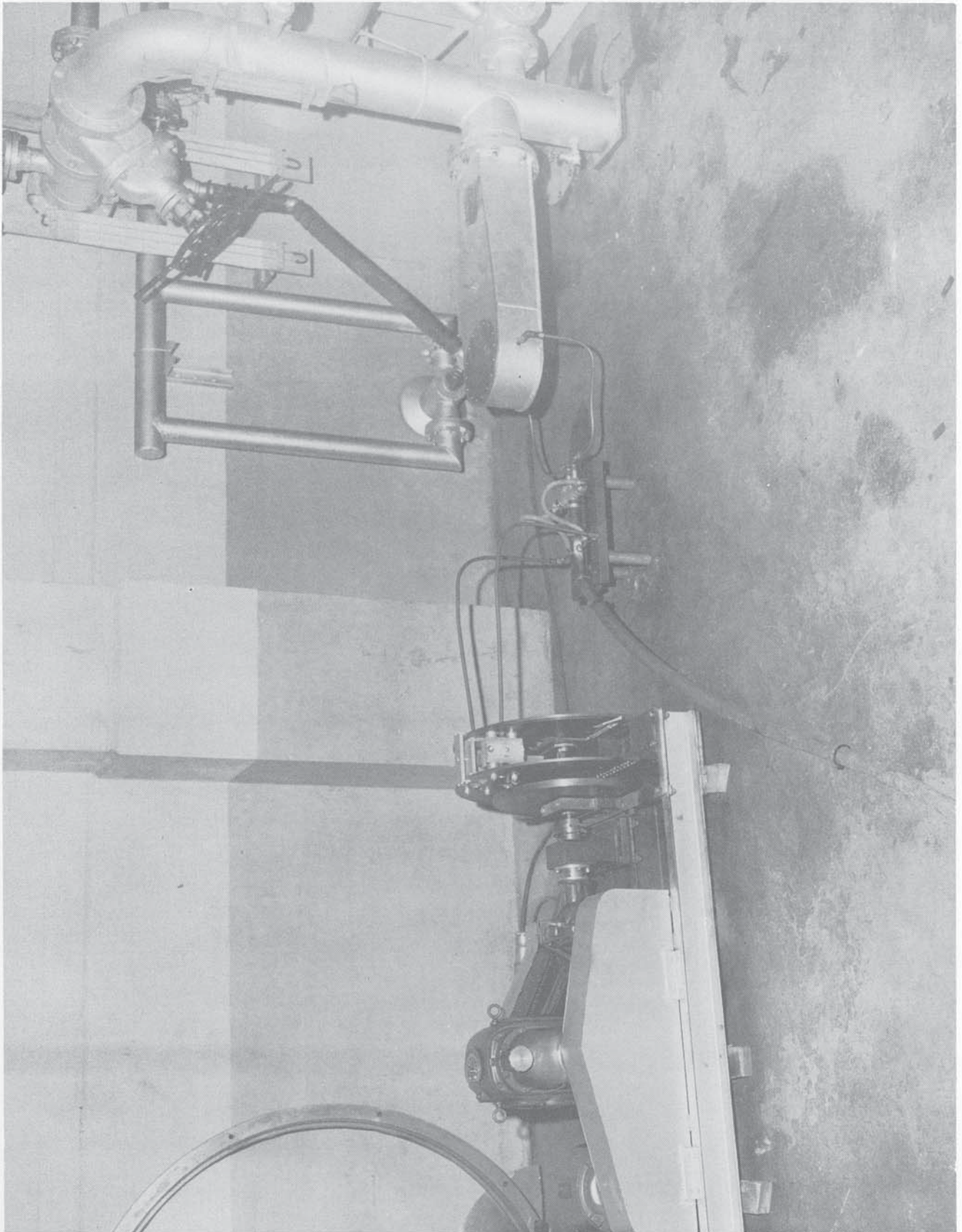


FIG. 47 SHUTTER TEST & OSCILLATION RIG



5.1.3  
(Cont'd)

foreseen as a peripheral segment attached to the main central test piece the contractor is planning which is briefly described in section 8.

- \* NOTE: It is pointed out that the work statement for the contract calls for six component aerodynamic data. However, in view of the extreme difficulty of engineering a six component special balance with provision for intake and jet flow simulation, the models tested were designed and approved for the measurement of lift, drag and pitching moment only. Measurement of side force, rolling and yawing moments is considered secondary: particularly for this design because of the symmetrical shape.

5.1.4 Air Intake and Gas Exhaust System Test: Two of the models previously referred to in 5.1.1 are concerned with the air intake. With regard to the exhaust system, several tests have been done, as follows:

5.1.4.1 45° Full Scale Segment Test - A segment of the proposed intermediate research aircraft of Fig. 2 (Page 5) was constructed and mounted on a thrust and moment balance with instrumentation for pressure and temperature measurement. (Figs. 48 and 49).

The objectives for this test piece were to obtain -

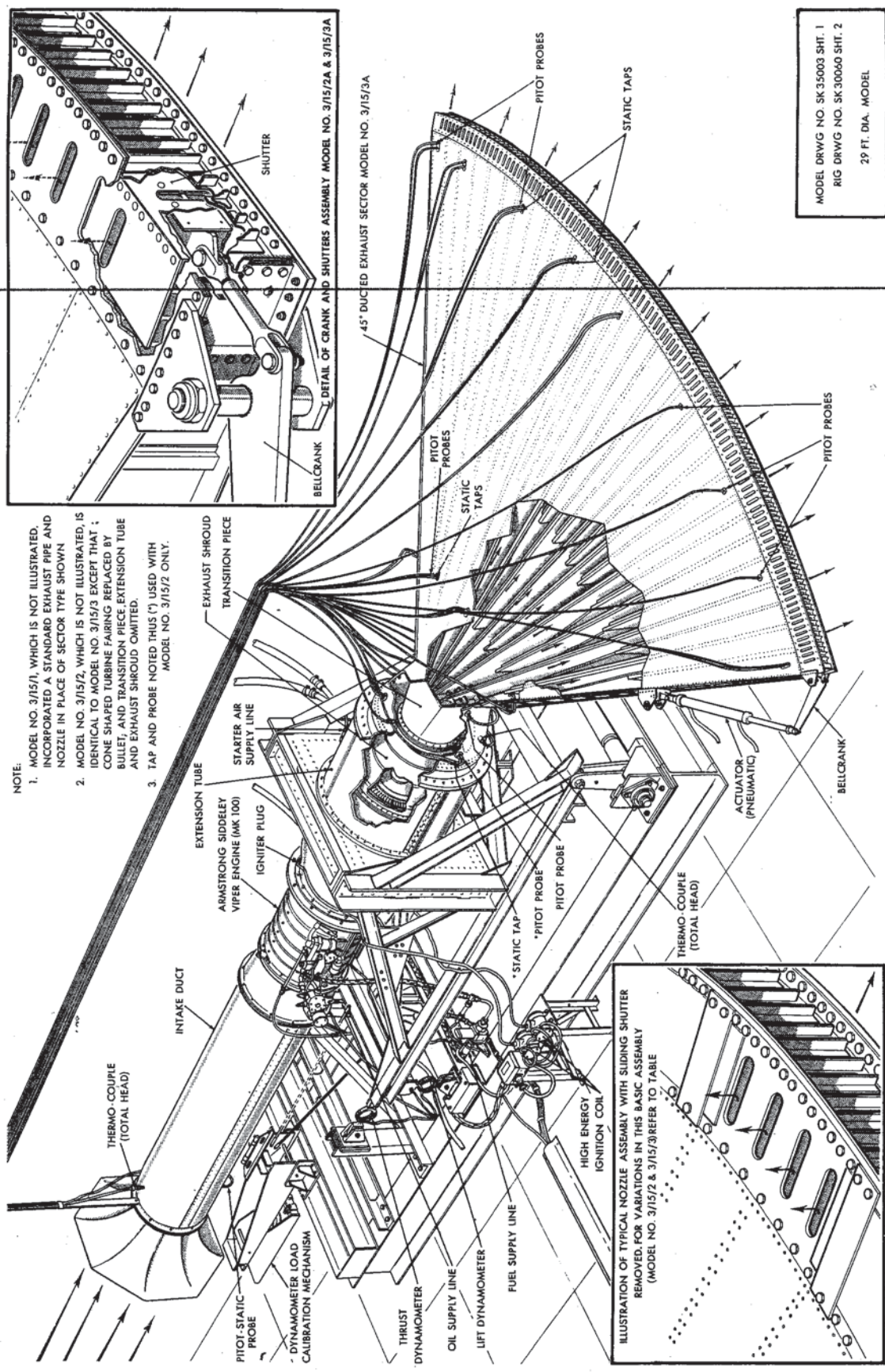
- (i) A 45° segment full scale air cushion effect test.
- (ii) Hot jet duct behaviour.



Declassified

SECRET

- NOTE:
1. MODEL NO. 3/15/1, WHICH IS NOT ILLUSTRATED, INCORPORATED A STANDARD EXHAUST PIPE AND NOZZLE IN PLACE OF SECTOR TYPE SHOWN.
  2. MODEL NO. 3/15/2, WHICH IS NOT ILLUSTRATED, IS IDENTICAL TO MODEL NO. 3/15/3 EXCEPT THAT: CONE SHAPED TURBINE FAIRING REPLACED BY BULLET, AND TRANSITION PIECE, EXTENSION TUBE AND EXHAUST SHROUD OMITTED.
  3. TAP AND PROBE NOTED THUS (\*) USED WITH MODEL NO. 3/15/2 ONLY.



AIR INTAKE AND GAS EXHAUST SYSTEM MODEL NO. 3/15

SECRET

Declassified



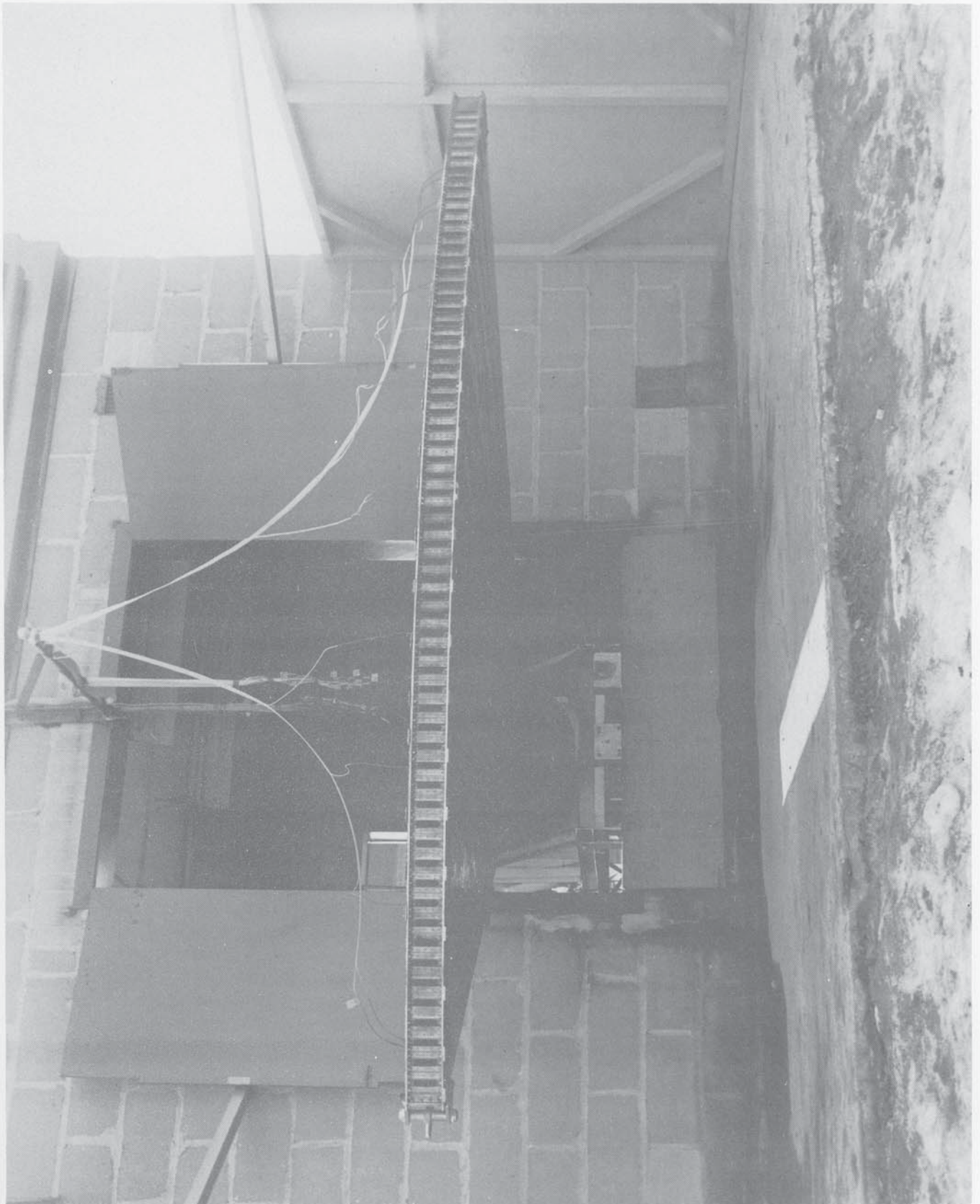


FIG. 49 45° SEGMENT

5.1.4.1  
(Cont'd)

- (iii) Diffuser efficiency.
- (iv) Flow and temperature distribution.
- (v) Ground temperatures.
- (vi) Control operation data.

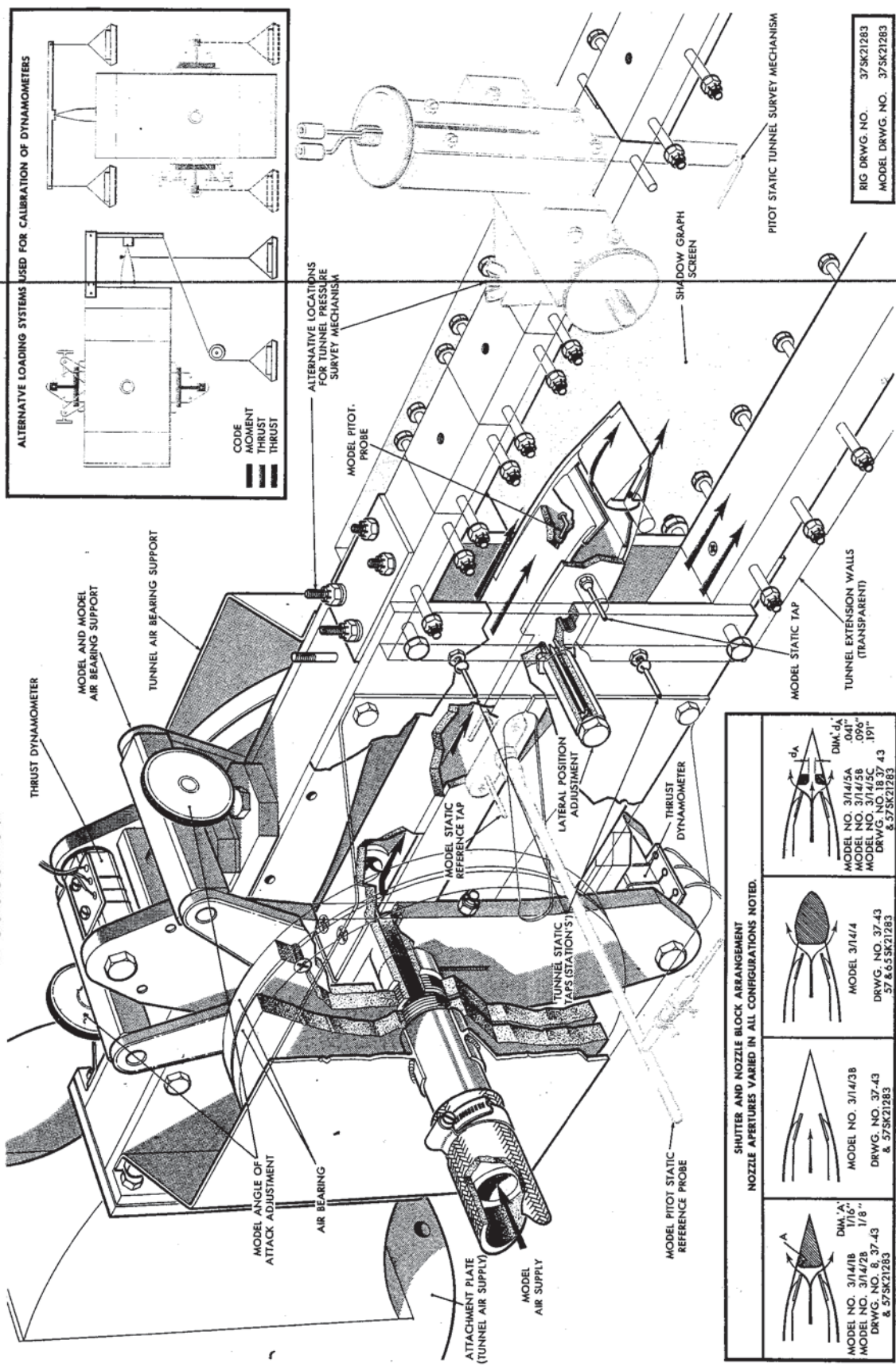
This segment was completed before the ducted fan concept had rendered its design obsolete. It was then also found from small scale tests that the air cushion effect characteristic was drastically altered for a  $45^{\circ}$  segment so that its usefulness for full scale air cushion test also appeared marginal and in view of the 1/6th scale wind tunnel model being available for ground cushion this was discontinued.

An abbreviated series of tests were, however, run on this segment to determine its diffuser efficiency. Two series were run, the first being vitiated by failure of the specimen. A re-run after repair yielded the general conclusion that the diffuser pressure drop was not measurable with the local instrumentation provided and is probably unimportant.

- 5.1.4.2 Thrust Recovery Test - Tests were carried out on a two dimensional flow model (Figs. 50 and 51) exhausting substantially at right angles to a supersonic stream to see how much of the thrust of such a nozzle was recovered in the stream direction. These tests were originally applicable to the propulsion nozzle scheme for the aircraft of Fig. 1 (Page 4) but have a general interest and



Declassified SECRET



RIG DRWG. NO. 375K21283  
MODEL DRWG. NO. 375K21283

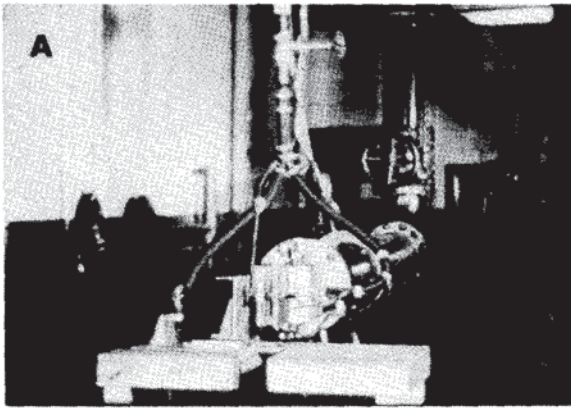
SHUTTER AND NOZZLE BLOCK ARRANGEMENT	
NOZZLE APERTURES VARIED IN ALL CONFIGURATIONS NOTED.	
	<p>MODEL NO. 3/14/5A MODEL NO. 3/14/5B MODEL NO. 3/14/5C DRWG. NO. 1937 43 &amp; 575K21283</p>
	<p>MODEL NO. 3/14/4 DRWG. NO. 37 43 &amp; 575K21283</p>
	<p>MODEL NO. 3/14/3B DRWG. NO. 37 43 &amp; 575K21283</p>
	<p>MODEL NO. 3/14/1B MODEL NO. 3/14/2B DRWG. NO. 8 37 43 &amp; 575K21283</p>

AIR INTAKE AND GAS EXHAUST SYSTEM MODEL NO. 3/14/1B, 3/14/2B, 3/14/3B, 3/14/4 AND 3/14/5

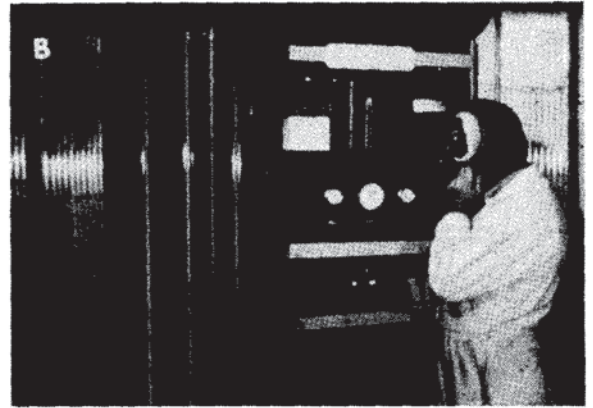
SECRET

Declassified

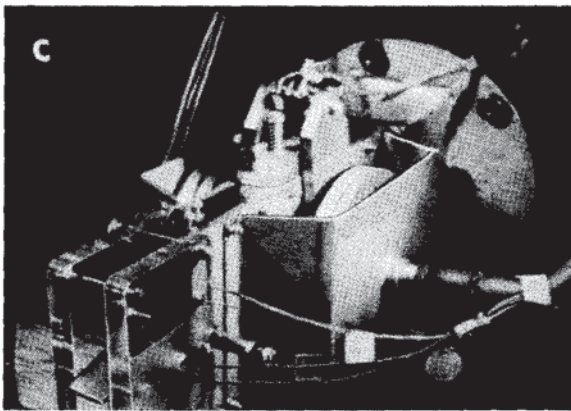




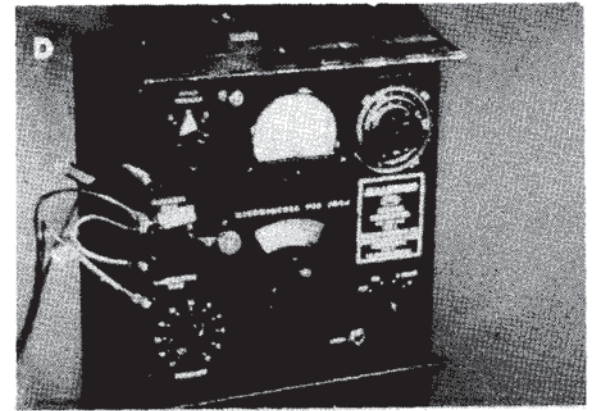
Installation of Model and Test Rig



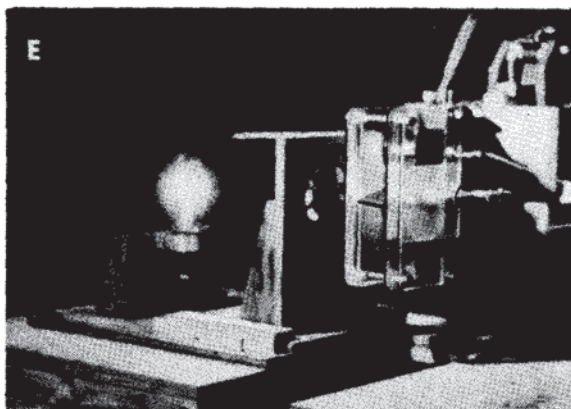
Control Panel and Manometer Bank



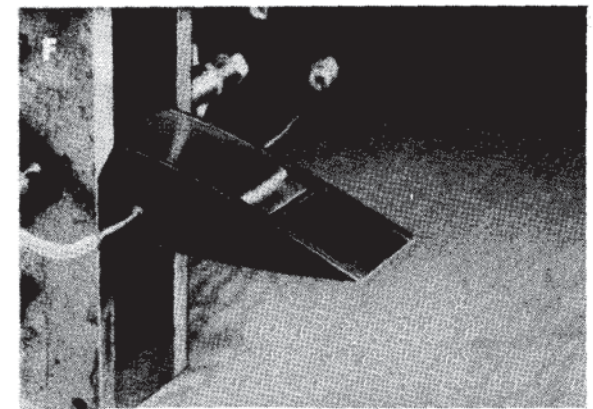
Close-up of Model and Rig



Strain Recording Equipment



Shadowgraph Installation



Close-up of Type 2 Nozzle

1372-1794-1

FIG. 51 Thrust Recovery Tests (Series No. 1) at Nobel



5.1.4.2  
(Cont'd)

reinforce the moment augmentation measured on the 1/23 scale supersonic model.

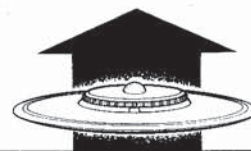
Broad conclusions were as follows:

- (i) In the region of 60% of the thrust of a plain nozzle facing backwards in the same model and having the same pressure ratio and mass flow was recovered in the stream direction by the right-angled jet.
- (ii) The moment produced by the jet exhausting about at right angles to the surface into the supersonic stream was 1.8 times the moment so obtained without the supersonic stream blowing.

5.1.4.3 End Loss Test - Considering internal losses, the following regions may be isolated:

- (i) The air intake (section 5.1.1.3)
- (ii) The centrifugal compressor
- (iii) The diffuser duct
- (iv) The flame holder and combustion section
- (v) The nozzle end loss

Data exists from which the centrifugal compressor efficiency and flame holder pressure losses may be estimated with tolerable accuracy. The diffuser loss is not expected to be high since the diffusion angle is optimum and the flow straight and tests appear to confirm this (section 5.1.4.1). The nozzle end loss is thus prominent as a point of doubt and data is lacking as to the loss

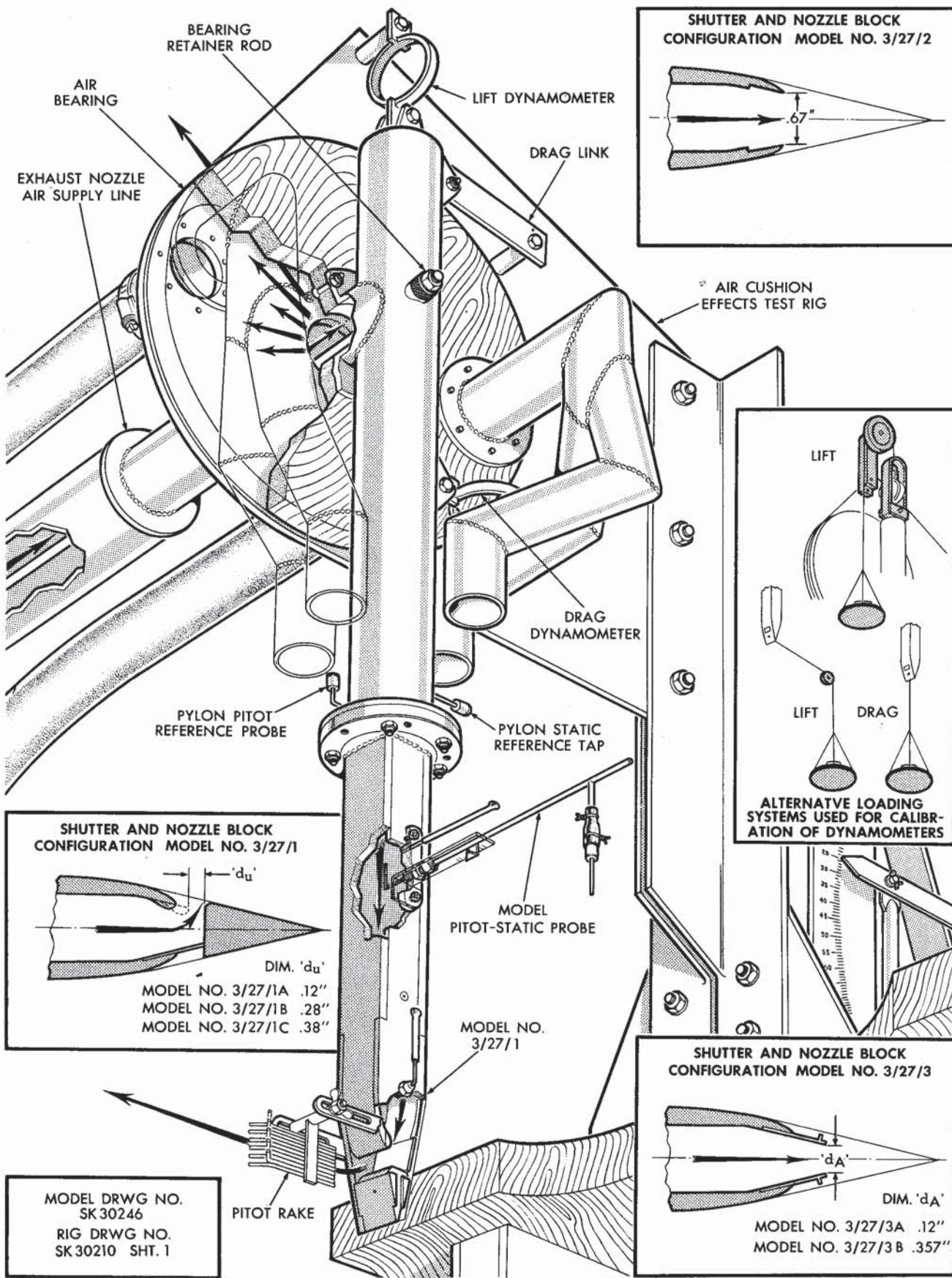
5.1.4.3  
(Cont'd)

associated with this type of sharply accelerating variable corner. Since the  $45^\circ$  segment was no longer representative, a short series of tests were run late in the contract period on a moderately representative right angle bend. This rig (Fig. 52) consisted of the thrust recovery model suitably modified and fitted to the ground effect balance. Thrusts were measured before and after bending at the same pressure and mass flow and the loss converted to a pressure loss factor at the minimum area before the final bend.

Further tests are required on a fully representative larger scale specimen. A 1/3rd scale nozzle end loss test of the actual aircraft nozzle is proposed and is now being manufactured for testing at the contractor's facility.

- 5.1.5 Performance tests: Tests in favour of evaluating performance are principally concerned with wind tunnel model data on drag and are described in section 5.1.1.
- 5.1.6 Radial flow feasibility: No tests have been carried out relative to the propulsion system per se.
- 5.2 Design Study and Theoretical Analysis
- 5.2.1 Ground Effect: An attempt was made to calculate the ground cushion effect theoretically by assuming a flow structure similar to that observed. A curve of the right general form was obtained.

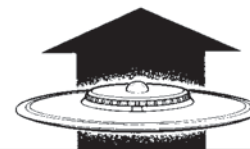




1572-1794-1

May, 15/56

FIG. 52 AIR INTAKE AND GAS EXHAUST SYSTEM MODEL NO. 3/27/1, 3/27/2 AND 3/27/3



5.2.1  
(Cont'd)

However, the high point at half span from the ground could not be predicted. No detailed effects, such as that of jet angle, have been attempted theoretically.

5.2.2 Stability and Control Analysis: For stability, aerodynamic and control derivatives and basic airplane data were taken from preliminary tests and studies since there has not been sufficient time to re-work the analyses on the basis of the wind tunnel tests of section 5.1.1, and the latest airplane quantities. However, the preliminary values are sufficiently accurate for a clear picture of the basic longitudinal stability problem to be obtained. During the course of the year the preferred system for operating the shutters to control the jets to obtain artificial stability has developed through the hydraulic system with mechanical linkage to the pneumatic system with the actuation built into the shutter itself and also providing cooling. (Fig. 7, Page 12). Both systems have been examined theoretically and it appears that the pneumatic system will give a faster response also.

The following analyses have been made:

- (1) Longitudinal stability of the aircraft using a simple control equation.
- (2) Longitudinal stability of the aircraft using a second order control equation.



5.2.2  
(Cont'd)

- (c) Lateral stability of the aircraft using a second order control equation.
- (4) Estimate of the time constant of the pneumatic control system.
- (5) Longitudinal transient response characteristics of the aircraft and control system using a simple time lag transfer function.
- (6) Hovering stability and control.

General conclusions which can be drawn from these studies are as follows:

- (i) It appears that the stability and control system proposed can be satisfactorily developed to provide flying qualities similar to those of conventional airplanes.
- (ii) There is sufficient control power in the jet controls to achieve stability over the whole flight range up to extreme altitudes from low speed at sea level to very high speed at extreme altitude (90-100,000 feet).
- (iii) In contra-distinction of the aircraft of Fig. 1, Page 4, there are no gyroscopic reactions on the aircraft from the main rotors, since these are balanced by the contra-rotation; and only used to provide a measure of the rate of pitch or roll.

5.2.3 Air Intake and Gas Exhaust Systems: The analyses made under this heading have been devoted to the study of test results and have already been described in section 5.1.4.





5.2.3.  
(Cont'd)

NOTE: The Work Statement for the contract calls for study into "The effect of flow distortions on blade vibration and engine performance". This is no longer applicable to the subject aircraft in its present form. Therefore no analysis has been made.

5.2.4 Aircraft Performance: Estimates for performance have been made for the subject aircraft at each development stage, consisting principally of thrust and drag analyses and estimates and calculations of the resulting performance characteristics.

The performance of the six Viper research aircraft "Project 704" is superior to the earlier designs by a wide margin.

Drag analyses have now been confirmed by supersonic tests and the resulting performance has already been summarized earlier in this report under section 4.3, Figs. 9 through 11.

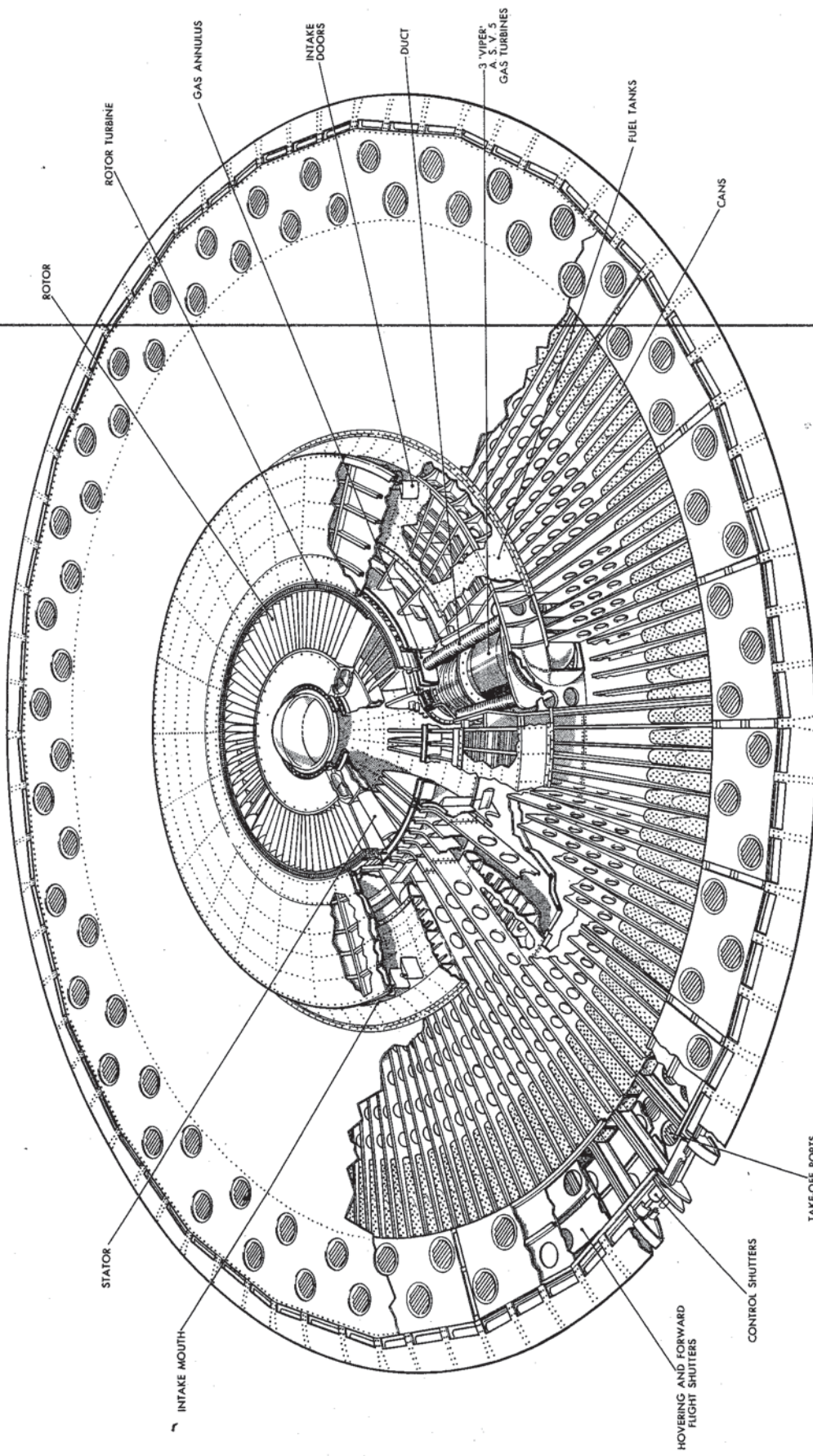
5.2.5 Radial Flow Feasibility: A considerable amount of design study has been carried out in developing the desired type of propulsion system to the form shown in Fig. 4, Page 7. To illustrate this Figs. 53, 54 and 55 are shown on the following pages, together with a repeated Fig. 4 for comparison. These depict the configurations explored. Briefly, the initial proposal of Fig. 53 fitted three Viper engines with their jets facing outboard and exhausting over small arcs of the periphery. A large percentage of the mass

Unclassified

AURO AIRCRAFT LIMITED



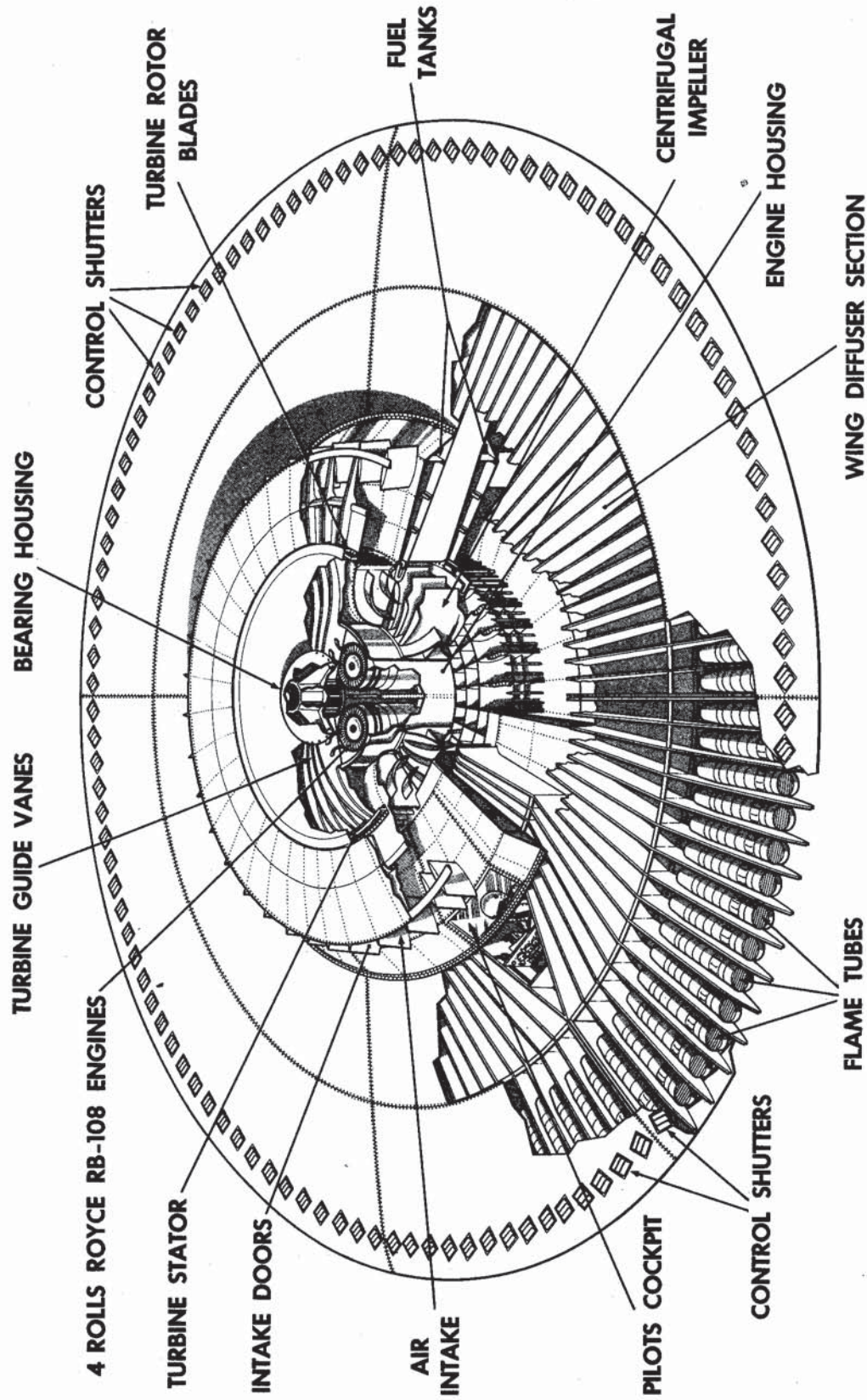
PROJECT 1794



Unclassified

548-1794-1





**RAMJET AIRCRAFT - DUCTED FAN ASSISTED**

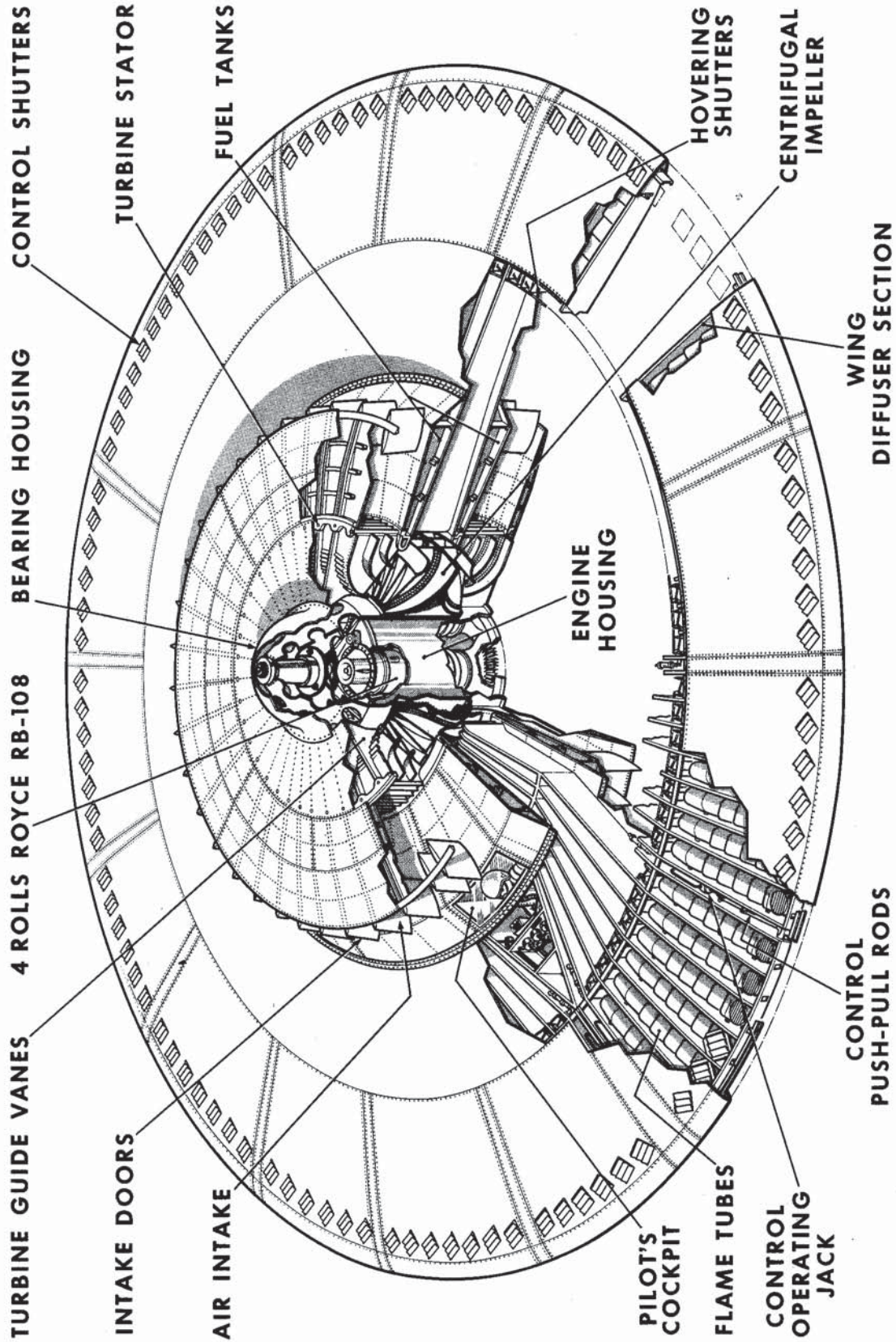
**FIG. 54**

Unclassified

Unclassified

763-1794-1





**RAMJET AIRCRAFT-DUCTED FAN ASSISTED**

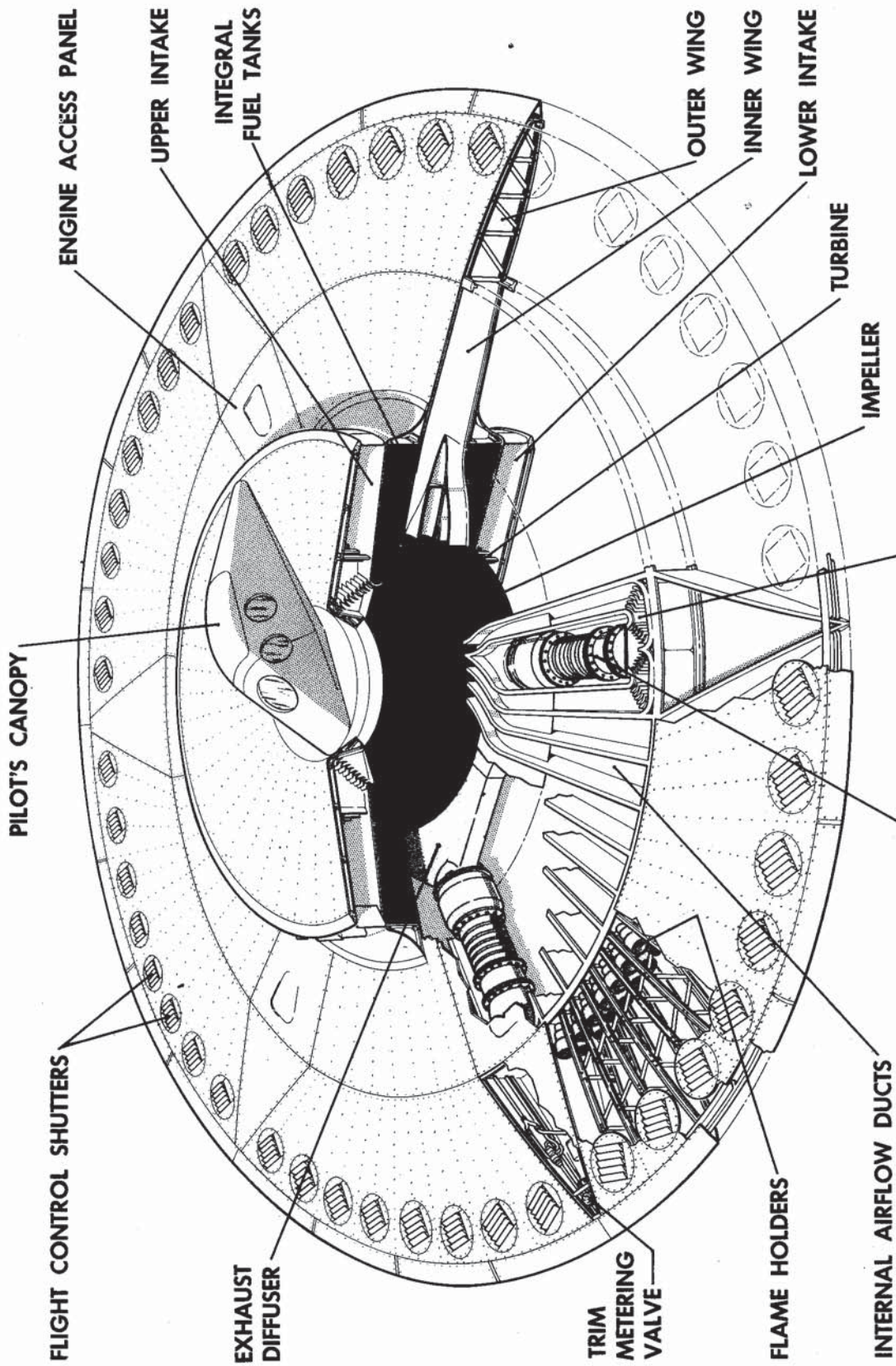
**FIG. 55**

Unclassified

Unclassified

1018-1794-1





ASM-VIPER 8 ENGINE ENGINE AIR INTAKE  
**6-VIPER DUCTED FAN RAMJET DESIGN**

**FIG. 4**



5.2.5  
(Cont'd)

flow was bled from these engines, separately combusted and exhausted through a large diameter turbine attached to the tip of a single stage axial impeller, as can be seen in the drawing of Fig. 53. A large mass flow of air was driven through the wing by this impeller and, with provision for secondary combustion, exhausted over the wide sectors in between the Viper engines. For forward flight the impeller was by-passed altogether and the aircraft became a pure ramjet. It was thus strictly a high mass flow ducted fan arrangement for take-off and ramjet for supersonic flight. The difficulties with the impeller turbine arrangement, expected poor transition characteristics, and low thrust at subsonic speeds were principal objections to this scheme.

In the aircraft of Fig. 54 a single large centrifugal impeller was used and driven by four Rolls Royce R. B. 108 engines; mounted vertically in a close cluster in the centre of the aircraft with their exhausts facing upwards and used as gas generators to power a large diameter radial out-flow turbine, which formed an integral part of the centrifugal impeller. Considerable analysis of this propulsion unit was made (Area Report No. 5 - AVRO/SPG/TR2). The arrangement appeared very promising, the principal objection being centred in the mechanics of the main rotor and the position of the turbine exhaust.

The aircraft of Fig. 55 was then studied. In this the engines were



5.2.5  
(Cont'd)

reversed to exhaust downwards through a relatively small diameter axial flow turbine. This turbine was mounted on a central shaft and drove a similar large centrifugal impeller through a big reduction gear at the top of the aircraft. This propulsion system was also analysed, (Area Report No. 5 AVRO/SPG/TR26). The reduction gear was required to transmit in the region of 16,000 H. P. for take-off and the impeller structure was somewhat unwieldy. These development problems appeared quite manageable. However, the engine supply position for the Rolls Royce R. B. 108, or any alternative sufficiently short to fit upright in the small research airplane, was rather doubtful. A design was therefore sought which would enable a bona-fide off-the-shelf engine, such as the Armstrong Siddeley Viper to be used and this resulted in the aircraft of Fig. 4, Page 82.

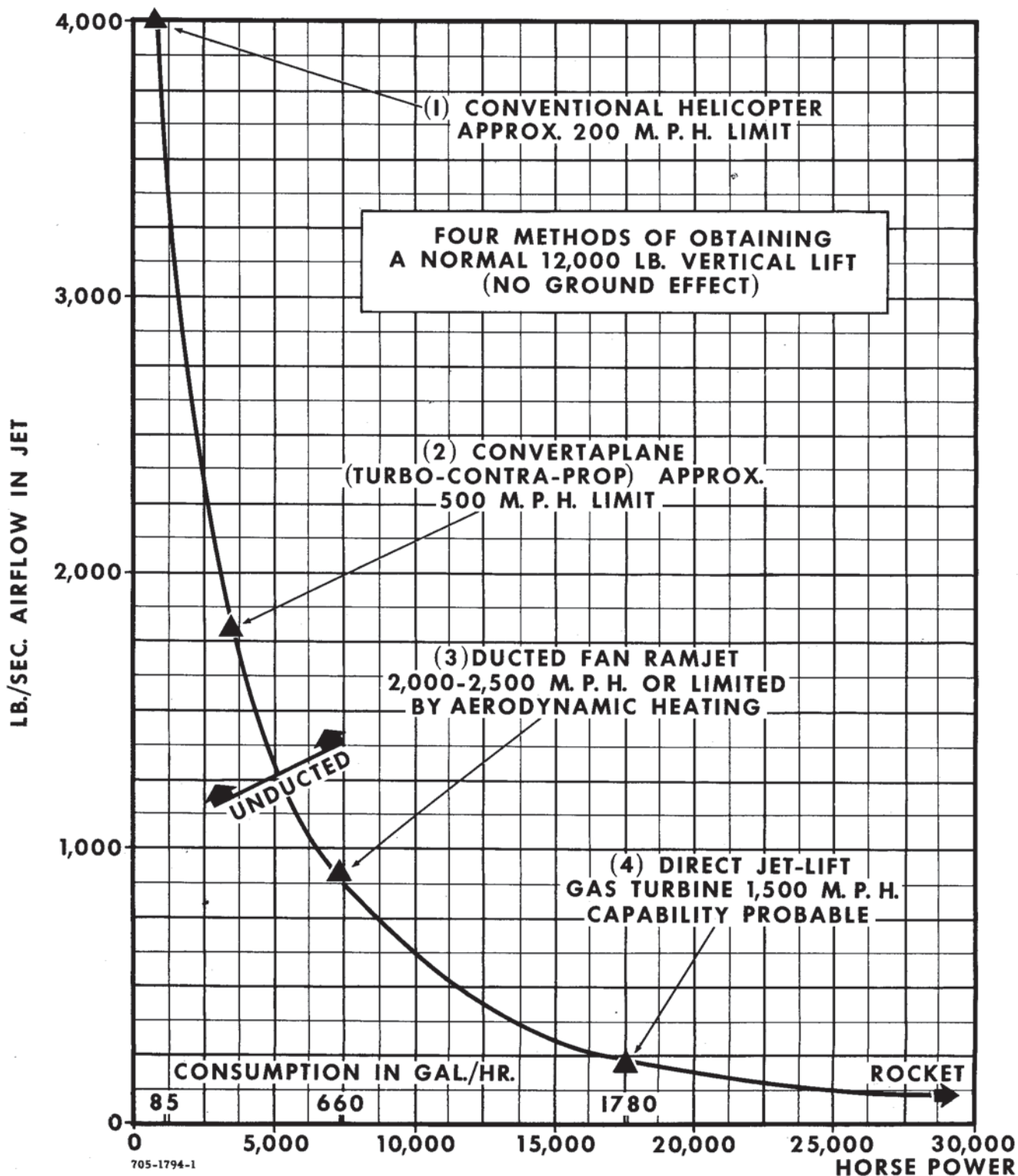
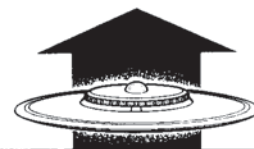
In Project 704, as described in section 4, the main centrifugal impeller has been split into two halves mounted directly off a central shaft. The Viper engines, which are too long to fit vertically in the aircraft, are laid flat in the wing and drive the impellers through a radial in-flow turbine exhausting downwards. Project 704 thus avoids a development problem of a very large reduction gear and provides a superior impeller structure and bearing arrangement. This propulsion system is different from the earlier design in that the engine intakes are pressurized by



5. 2. 5  
(Cont'd)

the main impellers so that the propulsion unit thermodynamically resembles a two spool by-pass gas turbine. To provide high static thrust efficiency, and the very large air swallowing capacity required, the by-pass ratio is very high (5 to 1). An analysis of the thrust and specific fuel consumption to this power plant over a wide range of operating conditions is presented in Area Report No. 5 (AVRO/SPG/TR14).

The static thrust efficiency is illustrated by the chart Fig. 56: this chart shows four methods of obtaining 12,000 lb. vertical lift (without ground effects) lying on a curve illustrating the variation of H. P. required with "jet" mass flow. Most efficiently, a very large mass flow is used, as in the helicopter in which the jet is the whole flow passing through the rotor. The next alternative is the convertiplane shown which has a much smaller rotor and "jet" but also has a greater speed range. In direct jet lift (4) a very concentrated jet is used but this is seen to be extravagant in H. P. required and fuel consumed. Project 704 is represented as requiring less than half the H. P. of direct high energy jet lift. It is clear from this curve, however, that some cross-over point occurs where the "jet" is ducted within rather than around the aircraft and a large internal mass flow can still be used for static lift. Equally when the large mass flow can be ducted through the aircraft it can also be reheated to produce a very large installed thrust.



**V.T.O. EFFICIENCY CHART  
FIG. 56**

BLACK PLATE





6. TABULATED LABOUR & COST SUMMARY

The cost summary covers the period July 1st, 1954 to June 1st, 1956 and details separately the costs incurred during the anticipatory period - July 1st, 1954 to April 1st, 1955. The manhours and costs of each of the five areas of Investigation incurred during the contract period - April 2nd, 1955 to June 1st, 1956 - are as follows:

<u>AREA OF INVESTIGATION</u>	<u>MANHOURS</u>	<u>COST</u>	<u>TOTAL</u>
<b>Air Cushion Effect &amp; Test</b>			
- Engineering	2,395.00	\$ 13,021.76	
- Manufacturing	<u>1,877.50</u>	<u>11,507.23</u>	
	4,272.50		\$ 24,528.99
<b>Stability &amp; Control Analysis &amp; Test</b>			
- Engineering	24,080.00	\$ 137,430.11	
- Manufacturing	<u>33,775.00</u>	<u>187,502.27</u>	
	57,855.00		324,932.38
<b>Air Intake &amp; Gas Exhaust System Test</b>			
- Engineering	4,246.25	\$ 19,406.63	
- Manufacturing	<u>6,870.75</u>	<u>42,710.44</u>	
	11,117.00		62,117.07
<b>Airplane Performance Analysis &amp; Test</b>			
- Engineering	2,776.25	\$ 14,239.85	
- Manufacturing	<u>603.25</u>	<u>3,159.22</u>	
	3,379.50		17,399.07
<b>Radial Flow Engine Feasibility</b>			
- Engineering	4,097.25	\$ 24,933.88	
- Manufacturing	<u>          </u>	<u>(13.62)</u>	
	4,097.25		24,920.26
	<u>80,721.25</u>		<u>\$ 453,897.77</u>

These costs (\$453,897.77) together with the costs for the anticipatory period (\$287,921.22) aggregate to the total of \$741,818.99 - leaving a balance of funds at

Unclassified



*AVRO AIRCRAFT LIMITED*

**PROJECT 1794**

the end of May 1956 amounting to \$19,824.00 and this is anticipated to be adequate to cover the cost of producing the remaining reports required under the terms of the contract.

Unclassified

1 JUNE, 1956



TABULATED LABOUR AND COST SUMMARY

July 1, 1954 - June 1, 1956  
(including anticipatory costs)

ENGINEERING

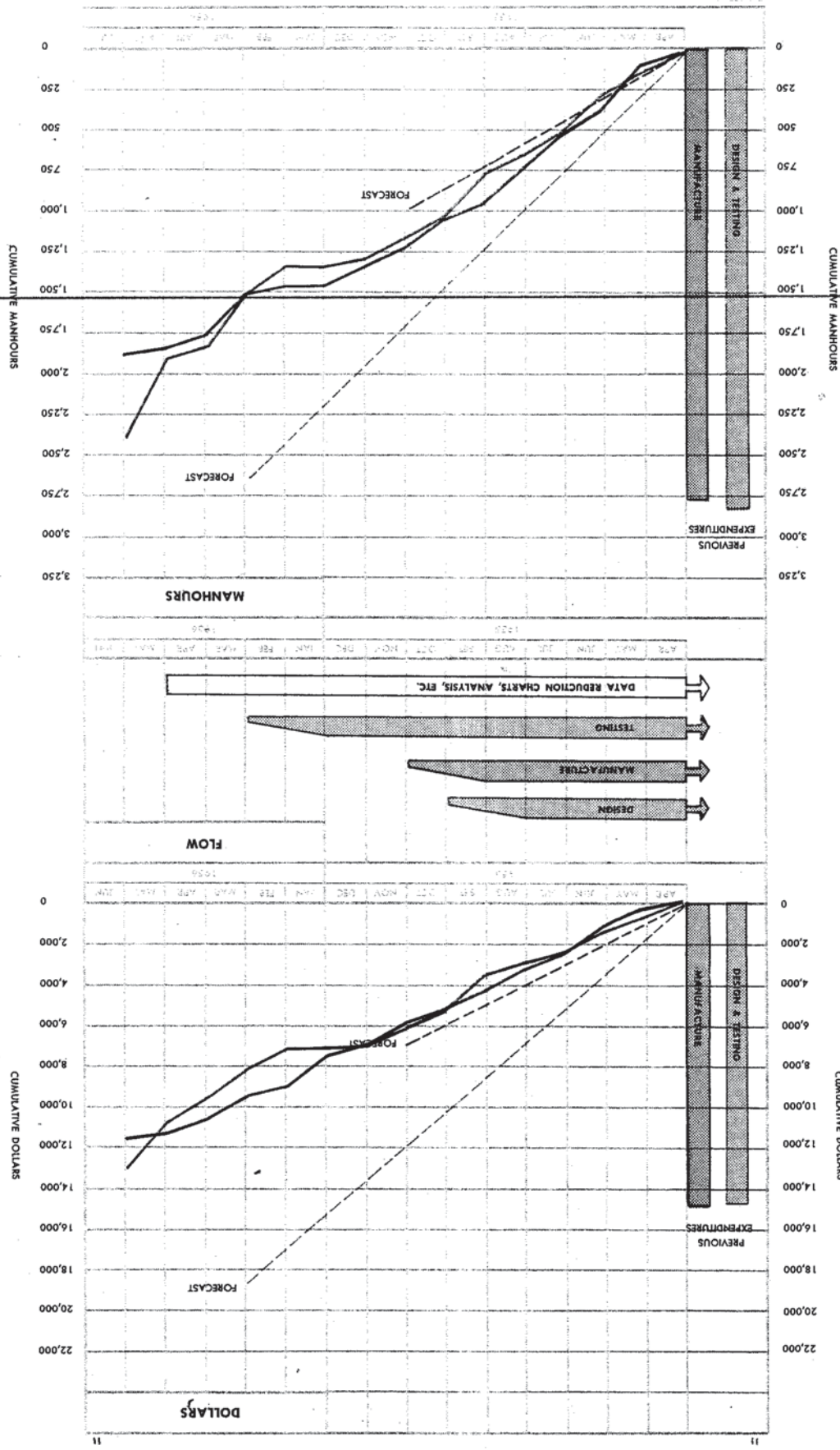
	Hours Expended	Production Labour	Experimental Labour	Salaries	Material	Direct Charges	Applied C/Head	Admin O/Head	Total Cost
Anticipatory Period	29,867.75			73,311.38	29.30	-	80,199.88	8,109.36	161,649.92
Air Cushion Effect Test and Analysis	2,395.00			5,991.08	-	-	5,078.43	952.25	13,021.76
Stability and Control Analysis and Tests	24,080.00			61,194.51	136.82	1,332.00	65,768.93	8,997.85	137,430.11
Air Intake and Gas Exhaust System Tests	4,246.25			9,939.32	57.88	-	7,417.99	1,991.44	19,406.63
Aircraft Performance Analysis and Tests	2,776.25			6,529.97	-	-	5,676.70	1,033.18	14,239.85
Radial Flow Engine Feasibility	4,097.25			11,468.15	-	-	1,886.68	1,579.05	24,933.88
<b>ENGINEERING TOTAL</b>	<b>67,462.50</b>	<b>-</b>	<b>-</b>	<b>\$168,434.41</b>	<b>\$ 224.00</b>	<b>\$ 1,332.00</b>	<b>\$178,028.61</b>	<b>\$22,663.13</b>	<b>\$370,682.15</b>

MANUFACTURING

Anticipatory Period	20,318.75	7,703.66	28,183.16	6,341.10	21,910.83	6,007.13	49,807.59	6,317.83	126,271.30
Air Cushion Effect Test and Analysis	1,877.50	167.94	3,574.38	50.37	353.82	1,764.52	4,744.49	851.71	11,507.23
Stability and Control Analysis and Tests	33,775.00	8,066.05	56,601.99	3,715.04	14,374.28	4,048.01	88,375.86	12,321.04	187,502.27
Air Intake and Gas Exhaust System Tests	6,870.75	1,370.52	11,630.58	800.49	6,174.94	3,304.21	16,217.49	3,212.21	42,710.44
Aircraft Performance Analysis and Tests	603.25	41.27	930.16	305.11	44.88	-	625.35	212.45	3,159.22
Radial Flow Engine Feasibility	-	-	-	-	(8.25)	-	(23.83)	18.46	(13.62)
<b>MANUFACTURING TOTAL</b>	<b>63,445.25</b>	<b>\$17,349.44</b>	<b>\$100,920.27</b>	<b>\$ 11,212.11</b>	<b>\$42,850.50</b>	<b>\$15,123.87</b>	<b>\$160,746.95</b>	<b>\$22,933.70</b>	<b>\$371,136.84</b>
<b>GRAND TOTAL</b>	<b>130,907.75</b>	<b>\$17,349.44</b>	<b>\$100,920.27</b>	<b>\$179,646.52</b>	<b>\$43,074.50</b>	<b>\$16,455.87</b>	<b>\$338,775.56</b>	<b>\$45,596.83</b>	<b>\$741,818.99</b>

All Amounts shown are in Canadian Currency





161-1794-2

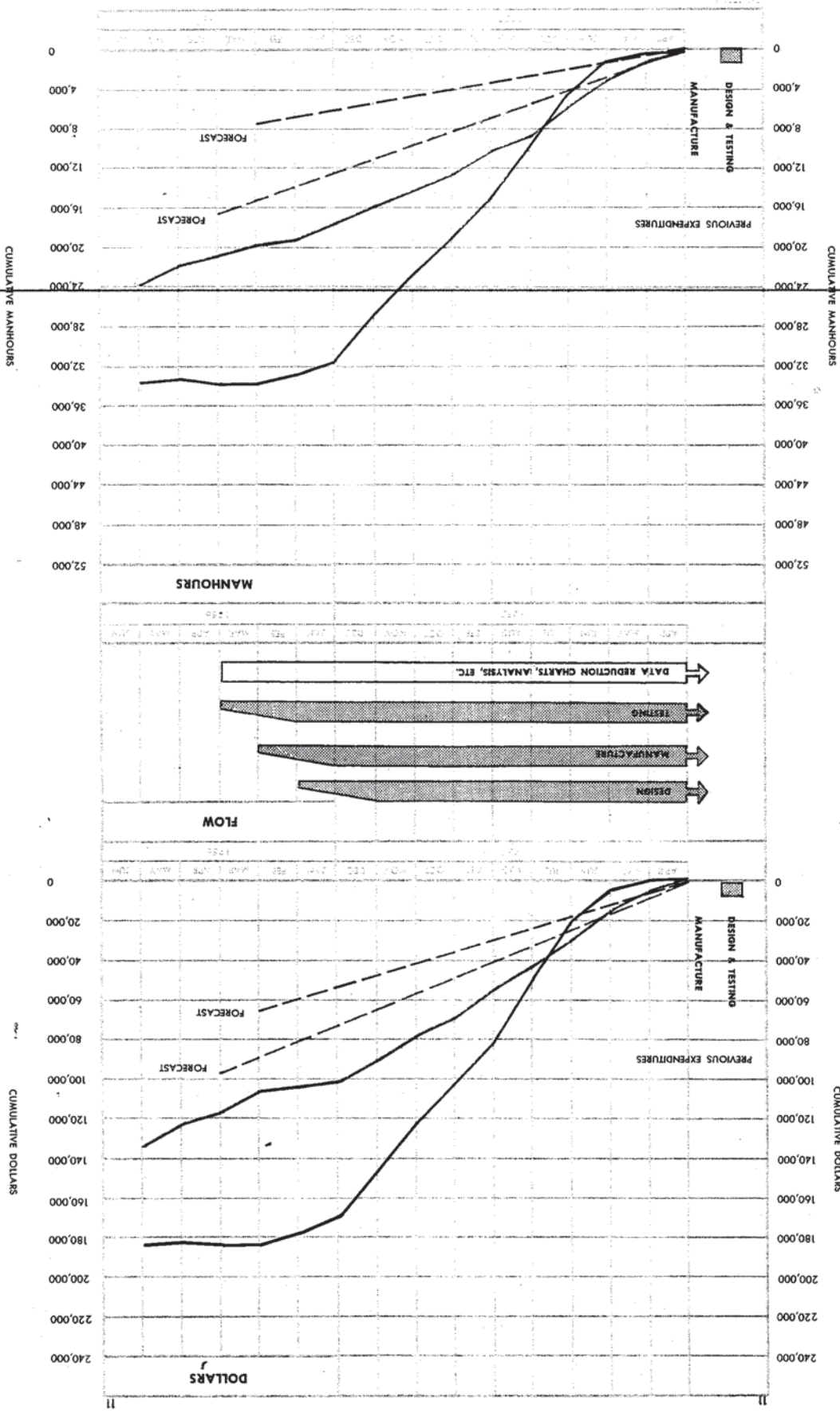
AIR CUSHION EFFECTS ANALYSIS & TESTS

SECRET

Declassified

AVCO AIRCRAFT LIMITED

PROJECT 1794

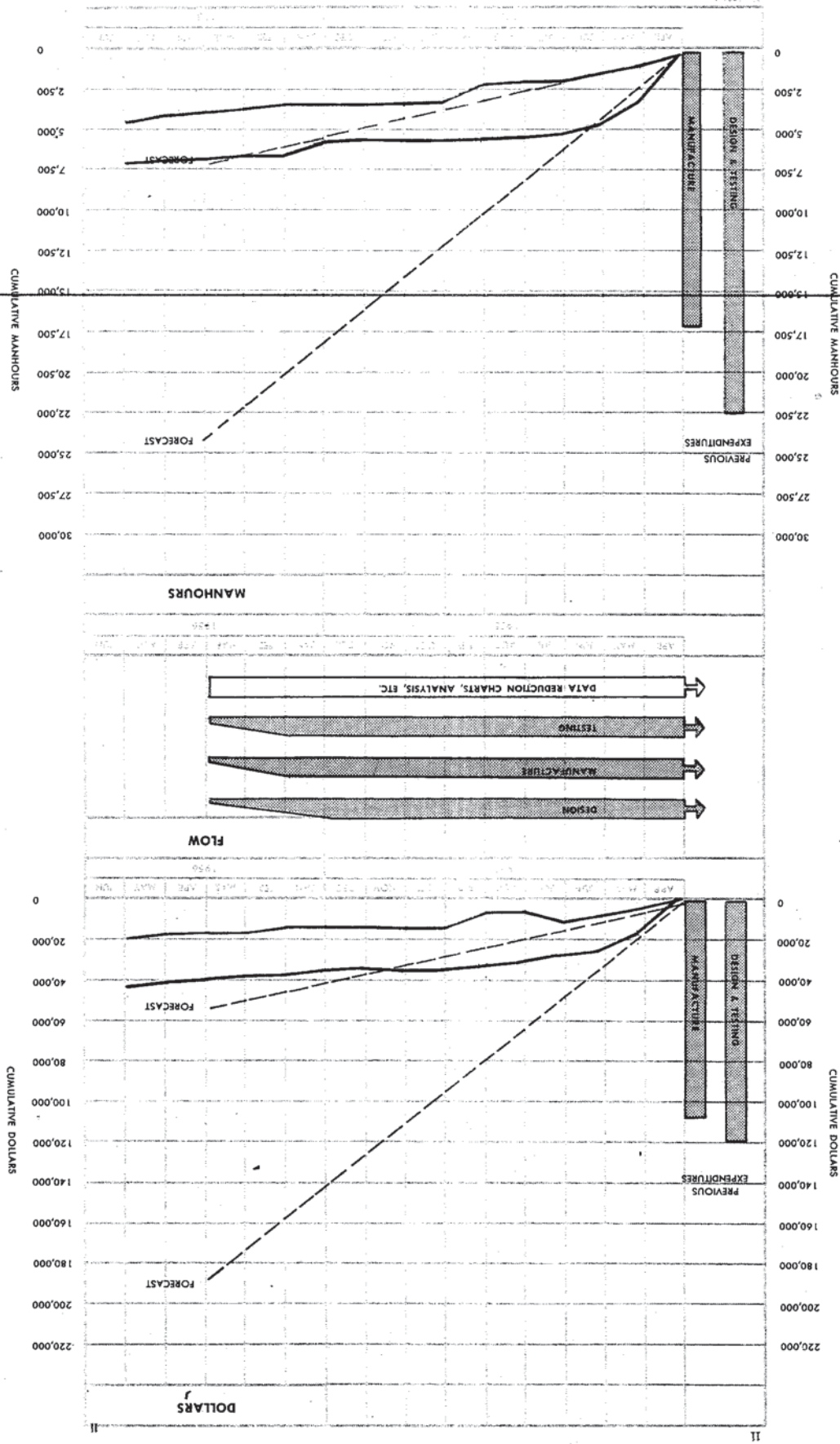


8-4417-152

AIRCRAFT STABILITY & CONTROL ANALYSIS & TESTS

SECRET

Declassified



789-1794-2

AIR INTAKE & GAS EXHAUST SYSTEM TESTS

-----

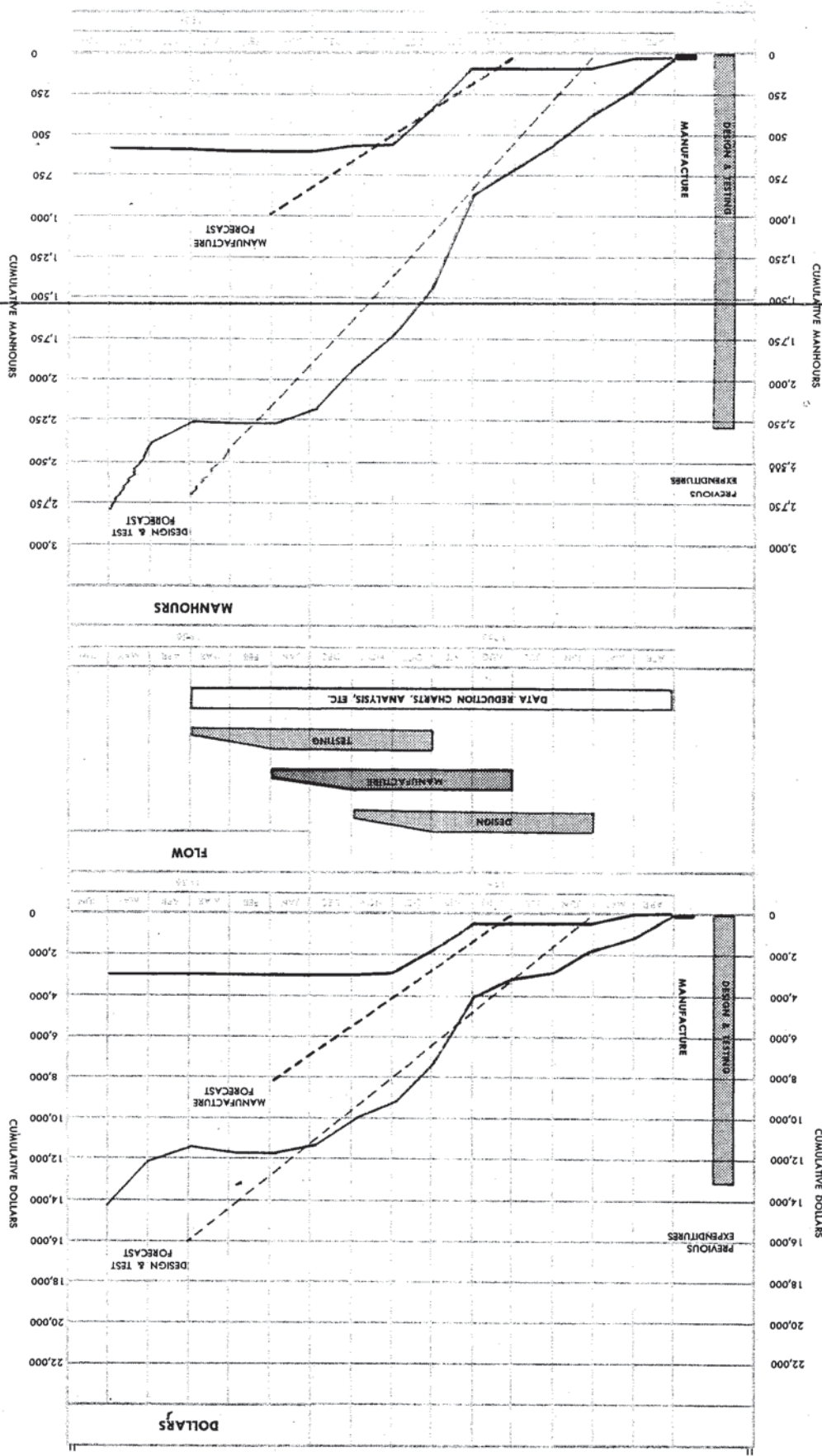


Declassified

AVRO AIRCRAFT LIMITED



PROJECT 1794



755-1794-2

AIRCRAFT PERFORMANCE ANALYSIS AND TESTS

SECRET

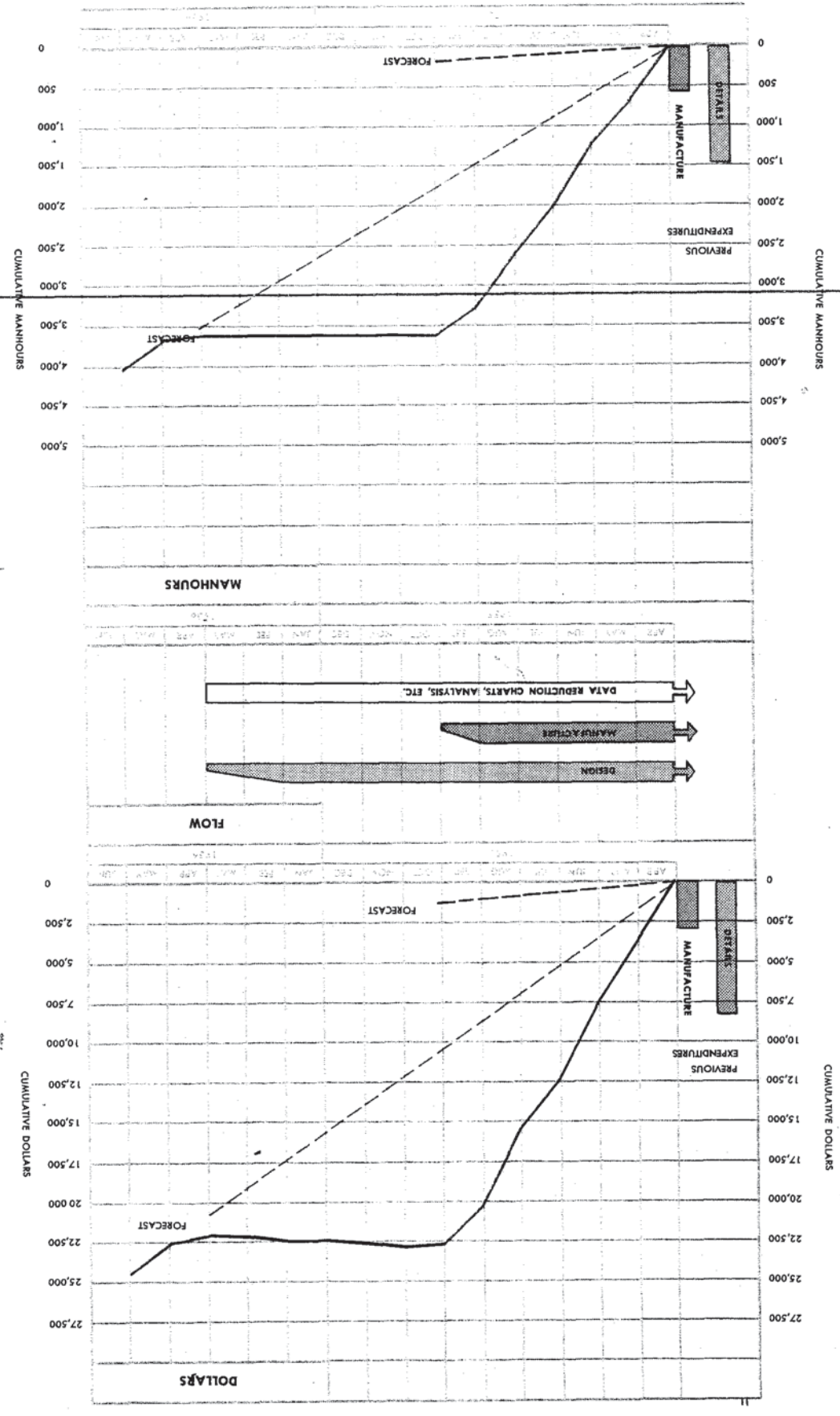
Declassified

Declassified



PROJECT 1794

AVRO AIRCRAFT LIMITED



RADIAL FLOW ENGINE FEASIBILITY

1794-1-1

Declassified

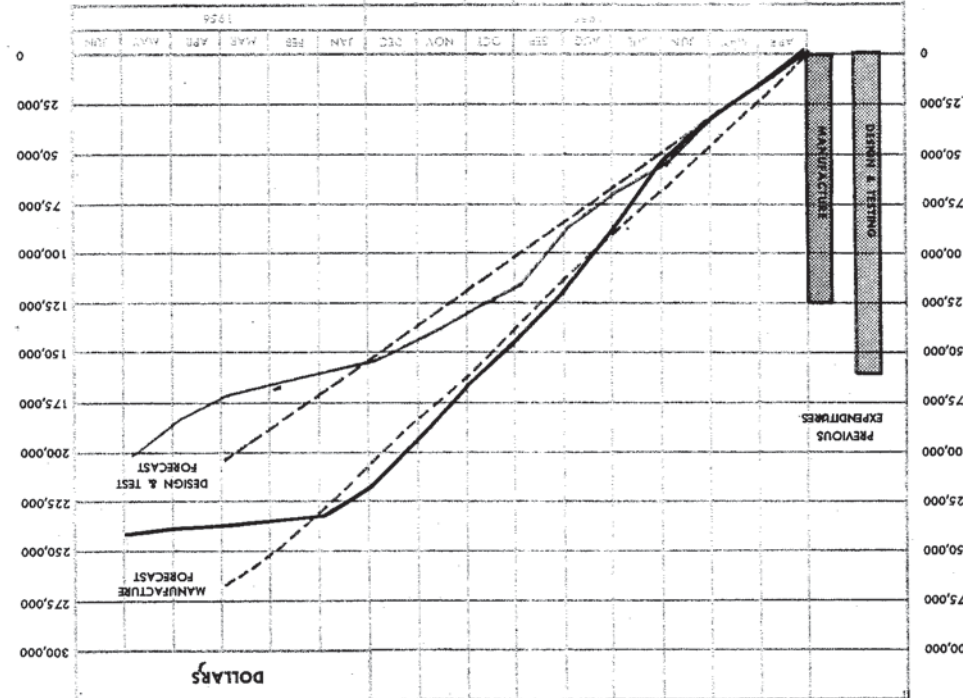
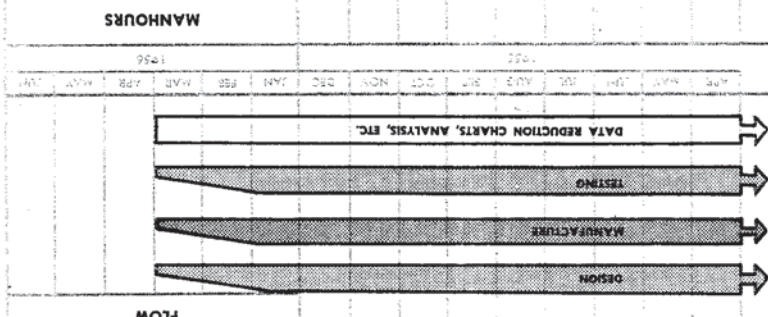
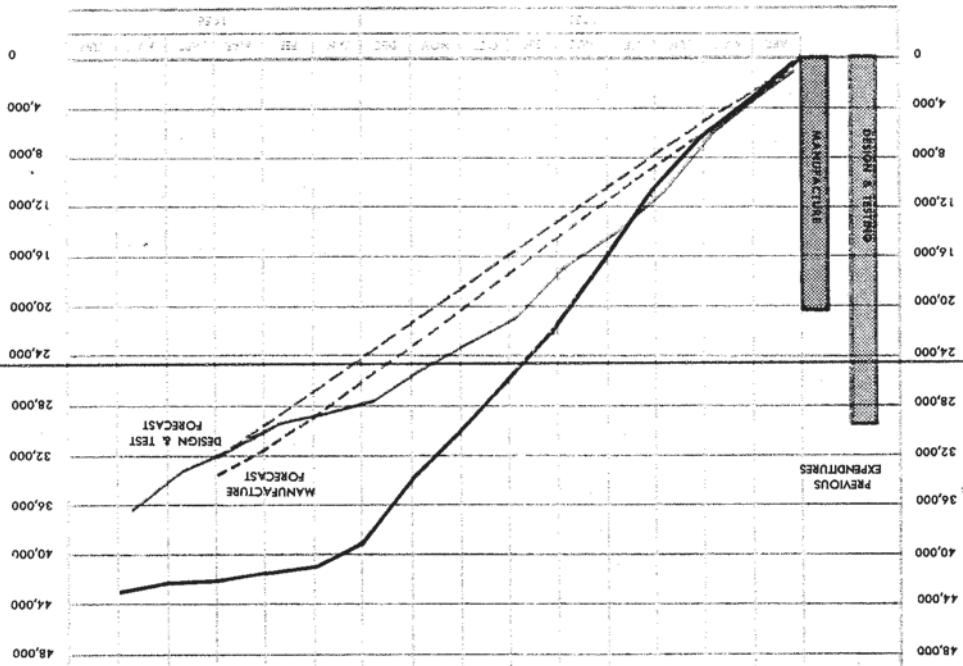
1794-1-1



PROJECT 1794

Declassified

AVRO AIRCRAFT LIMITED



CUMULATIVE MANHOURS

CUMULATIVE DOLLARS

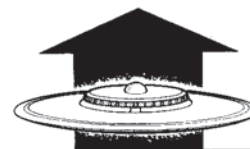
SUMMARY

~~SECRET~~

Declassified

156-1794 2





## 7. DEVELOPMENT AND PRODUCTION ASPECTS

Project 704 is much simpler to manufacture than more conventional type aircraft and can therefore be produced at a much lower cost. Due to its symmetry of form, there are a greater number of identical detail parts and component assemblies than there are in a conventional type of aircraft, Fig. 4, Page 7 . This means that a much smaller range of tools is required to build the machine. Processing time is reduced and a very economical ratio of tools per detail part is achieved.

The airplane is broken down into six identical segments, each containing one of the Viper engines and each of which can be built in the same component jig. A single large jig can then be used to assemble the identical segments and these, when married up, constitute about 90% of the total airframe. The symmetry of form and repetitive construction leads to economy throughout development; not only is tooling economical but design, planning and all phases of development time are reduced.

Development of Project 704, as currently envisaged, is to proceed with the construction of a single prototype in the shortest possible time with only essential pre-flight development tests being carried out. The prototype will initially be constructed without the outer combustion; the initial test flying will be done "cold", proving the aircraft through the vertical take-off, ground cushion transition and low subsonic speed regimes. It is envisaged that development of the main combustion system will proceed concurrently however, and combustion will eventually be fitted to this



prototype aircraft which should then be capable of developing high thrust and reaching supersonic speed; but will be limited to a top speed of Mach 1.74 by the Viper engine.

Development of the full top speed potential is unlikely to be achieved until a second or third prototype has been completed. The subsequent aircraft may employ developed Viper engines or alternative power plants in a similar category and will probably be of all steel construction.

The first prototype will have a steel outer wing and steel main rotors and turbine, but the central portion of the aircraft will be constructed principally of light alloy. A programme of work covering the tests expected to be required, including a rig to cover the qualification of the power plant as a complete unit, is given in the next section.



## 8. NEW PROGRAMS REQUIRED

A tabular summary and cost forecast for the following is given in section 9.

### 8.1 Test Program

#### 8.1.1 Wind Tunnel Tests

8.1.1.1 Supersonic Tests and Analysis - Overhaul and modify the existing 1/23rd scale supersonic force model. Re-design the air evacuation system, coordinate installation and conduct tests to complement the program already completed. Reduce data and prepare reports (approximately 60 hours tunnel time required).

Further testing is required on Supersonic Sting mounted 1/40 scale model to obtain transonic component drag data.

8.1.1.2 Transonic Tests and Analysis - Design and manufacture a half-plane transonic force model similar to the existing 1/6th scale subsonic and 1/23rd scale supersonic models. (A 1/12th scale model for installation in the 10 foot diameter transonic tunnel at Wright Air Development Centre is suggested). Design an installation rig to suit the tunnel facilities, complete with model control mounting, balance devices and suitable instrumentation for force and pressure measurements. Coordinate installation and conduct tests in accordance with a prepared program. Reduce data and prepare reports. (Approximately 200 hours tunnel time required).

8.1.1.3 Subsonic Tests and Analysis - Overhaul and modify the existing 1/6th scale subsonic force model and also the existing model control mounting and installation rig. Revise the instrumentation,





8.1.1.3  
(Cont'd)

coordinate installation and conduct tests in the 20 foot Massie Memorial tunnel at Wright Air Development Centre to complement the program already completed. Reduce data and prepare reports. (Approximately 200 hours tunnel time required).

8.1.1.4 Internal Air Intake Flow Model - Design and manufacture an internal flow air intake model for development of the air intake flow up to the eye of the impeller. (A 1/5th scale half model (upper air intake only) for installation in the 10 foot diameter tunnel at the Wright Air Development Centre is suggested). Design and manufacture an installation rig to suit the tunnel facilities and instrumentation for pressure and mass flow measurements. Coordinate installation and conduct tests in accordance with a prepared program. Reduce data and prepare reports. (Approximately 50 hours tunnel time required).

8.1.1.5 Small Scale Wind Tunnel Tests - Design and manufacture small scale models as required for testing in the Company's 18" x 18" low subsonic and 8" x 11" supersonic wind tunnel. These tests will be of a minor nature and no general programme is envisaged at this time but data will be analysed and reports prepared.

8.1.2 Ground Effect Tests: Design and manufacture a 20" scale model incorporating discrete circumferential jets with air intake and centre exhaust, and an installation rig to suit the Company's air



8.1.2 (Cont'd) supply facilities, complete with balance devices and adjustable artificial ground. Conduct tests, reduce data and prepare reports.

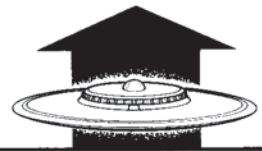
8.1.3 Internal Flow Tests:

8.1.3.1 Air Intake Internal Flow - Design and manufacture a 1/5th scale internal flow half model (upper air intake only) for static suction tests, using a Viper engine at the Company's facility. Design a suitable installation rig and instrumentation for pressure and mass flow measurements. Conduct tests, reduce data and prepare reports.

8.1.3.2 Nozzle End Loss Test Model - Design and manufacture a 1/3rd scale internal flow model of an outer wing shutter segment, to suit the Company's air supply facility, and an installation rig with model mounting, balance devices and suitable instrumentation for force and pressure measurements. Conduct tests, reduce data and prepare reports.

8.1.3.3 Single Engine Intake and Exhaust Tests - Design and manufacture a reverse flow cascaded air intake duct and an engine exhaust full scale diffuser fantail, both for installation on the Viper engine at the Company's test facility. Design and manufacture suitable instrumentation for pressure and temperature measurement. Conduct tests, reduce data and prepare reports.

8.1.4 Propulsion System Tests and Qualification: Design, manufacture



8.1.4  
(Cont'd)

and erect at the Company's facility a full scale 6 Viper test rig, consisting of a complete representative inner portion of the aircraft structure, together with the 6 engines and the upper and lower centrifugal impellers. This will include the complete inner wing assembly, the complete upper and lower fuel tank assemblies and the centre part of the upper and lower air intake assemblies.

Design and manufacture engine mountings, intakes, exhaust diffusers accessories location et al, to permit the installation of the 6 Viper gas turbine engines in the structure erection, and a fuel system to permit test operation of the 6 engines from the Company's test house.

Design and manufacture fire protection system; the control system to be capable initially of operating the 6 engines from the test house and ultimately from a temporary aircraft cockpit set up on the structure erection.

Design and manufacture the necessary electrical system capable of handling the engine accessories and fire protection control from the Company's test house, (and ultimately from the temporary aircraft cockpit).

Design and build a test site and test stand with suitable security and safety precautions at the Company's facility, complete with fuel storage and other services as may be required. Redesign and





8.1.4  
(Cont'd)

modify, as necessary, the Company's existing test house.

Design and manufacture suitable instrumentation for pressure, mass flow and temperature measurements and engine impeller control. Provide for installation of the upper and lower centrifugal-impeller and turbine assemblies. Conduct tests in accordance with a prepared programme, reduce data and prepare reports.

Redesign and modify, as necessary, in the light of test results obtained, and conduct qualifying tests for experimental flying.

8.1.5 Control System Development Tests and Qualification:

8.1.5.1 Oscillation Rig and Shutter Box - Design and manufacture a jet control shutter testing rig with simulated aircraft control system, the control stick, or its equivalent, operated by a power driven oscillator, and using the Company's air supply facility. Conduct development tests of the shutter control system, as required, reduce data and prepare reports.

8.1.5.2 Outer Wing Segment and Control System - Design and manufacture a full scale outer wing segment assembly, including upper and lower shutters for installation on the full scale 6 Viper propulsion system test rig. Design and manufacture the aircraft shutter control system for installation in the outer wing segment, complete with main control valve and pilot stick in the temporary aircraft cockpit.

8.1.5.2  
(Cont'd)

Design and manufacture a suitable oscillator and instrumentation for pressure and frequency measurements to connect to the pilot's stick.

Conduct tests in accordance with a prepared programme, reduce data and prepare reports. Redesign and modify, as necessary, in the light of test results obtained, and conduct qualifying tests for experimental flying.

8.1.6 Combustor System Development:

Design and manufacture a combustion system testing rig, basically consisting of an outer wing segment containing one set of flame holders and one pair of nozzles to be tested at Orenda Engines Limited, Nobel facility. Design and manufacture a suitable fuel system, with control system and storage. Provide suitable instrumentation for the measurement of pressure temperature and mass flow. Conduct tests in accordance with a prepared programme, reduce data and prepare reports. Redesign and modify as necessary in the light of test results obtained and conduct qualifying tests for experimental flying.

8.2 Design Study and Theoretical Analysis

The following design study and theoretical analyses are considered appropriate to the next phase of development.

8.2.1 Weapon System Design Studies: Carry out preliminary design study



8.2.1  
(Cont'd)

to apply the AVRO AIRCRAFT LIMITED vertical take-off design concept to the following weapon systems:

- (i) Reconnaissance
- (ii) Interceptor
- (iii) Tactical Bomber

Prepare reports which will include drawings showing suitable space provision for carrying equipment appropriate to the above roles, weight analysis to include such equipment and performance data. The latter will demonstrate speed and altitude capability, take-off landing and turning performance and range profiles with appropriate allowances and payload.

8.2.2 Weapon System Development Plan: Prepare a report giving estimated timing and costs for the manufacture and development of prototype reconnaissance aircraft broadly as specified by (i) above. The report will specify and describe the aircraft, material facilities and tests required in accordance with ARDC M80-4, and give data on the ability of AVRO AIRCRAFT LIMITED to carry out the Development Plan.

8.2.3 Stability and Control Analysis: Analyse and determine the flight behaviour of the aircraft in response to gusts or pilot demand over the whole flight range, using available wind tunnel data and mechanical component performance as obtained from tests described in section 8.1.5.





- 8.2.4 Propulsion System Analysis: Extend the existing propulsion system analysis to cover the off-design performance of the system using data obtained from tests under 8.1.3 above, measured flow characteristics for the Viper engines and more comprehensive analysis of expected power turbine characteristics.

DEVELOPMENT SUMMARY TABLE - JUNE 1st, 1956

TESTS AND ANALYSES COMPLETED

Ref. Para	Item - Location	Ref. Page	Results and Remarks
5.1	<u>TESTS</u>	20	
5.1.1	<u>Wind Tunnel Models</u>		
5.1.1.1	Subsonic 1/6 scale with jets and intake in MMWT at W.A.D.C. - Dayton	20	Good results obtained from transition and in-flight tests with jet control. Considerable induced lift and moment produced by distributed jet, and data is reliable. Drag data still subject to some doubt.
5.1.1.2	Supersonic Sting mounted 1/40 scale in N.S.L. at M.I.T., - Boston	28	Satisfactory drag agreement with estimate obtained.
	Supersonic 1/23 scale with jets and intake in N.S.L. at M.I.T., - Boston	28	Satisfactory drag agreement with estimate obtained. Some doubt because of limited air intake suction. Good results for lift and moment with considerable induced effects from distributed jet. Very good Supersonic L/D ratio obtained.
	Supersonic 2/25 scale air intake pressure recovery	33	Very good pressure recovery obtained over wide range of angle of attack and Mach no. Problem of thick boundary layer spill over at sides should be soluble by ramp modification.



TESTS AND ANALYSES COMPLETED (Cont'd)

Ref. Para	<u>Item - Location</u>	Ref. Page	<u>Results and Remarks</u>
5. 1. 1. 3	Preliminary Subsonic Transition and trim at Avro Aircraft	41	Satisfactory preliminary results.
	Preliminary Supersonic trim at Avro Aircraft	41	Satisfactory preliminary results.
	Dynamic Stability Models at Avro Aircraft	41	Satisfactory behaviour observed.
	Air Intake Internal flow at Avro Aircraft	41	Flow distribution not satisfactory. Further development tests required.
5. 1. 2	<u>Air Cushion Effect Tests</u>	54	
	10" diameter models on static rig at Avro Aircraft	54	Powerful air cushion effect confirmed. Up to 1.8 times thrust at nearly half a span.
	20" diameter models on static rig at Avro Aircraft	54	Doubt exists on value of free air thrust so effect may be improved. Lower surface air intake does not destroy ground cushion.
	Delta Wing model tests at Avro Aircraft	54	Delta wing gave poor air cushion.
	Hot central Jet Tests at Avro Aircraft	54	Satisfactory evidence that warming of lower intake air can be avoided.



TESTS AND ANALYSES COMPLETED (Cont'd)

Ref. Para	<u>Item - Location</u>	Ref. Page	<u>Results and Remarks</u>
5.1.2	1/6 scale Subsonic Model static (Cont'd) tests at W. A. D. C. in Dayton.	54	Still doubt on value of free air thrust. Otherwise effect satisfactory. Control data obtained.
5.1.3	<u>Stability and Control Tests</u>	65	Collection of aerodynamic data from wind tunnel models as above.
5.1.4	<u>Air Intake and Gas Exhaust System</u>	67	
5.1.4.1	45° Segment Test, at Avro Aircraft, Malton	67	Low diffuser pressure drop. Test piece became obsolete.
5.1.4.2	Thrust recovery test at Orenda Engines, Nobel, Ont.	70	Considerable thrust is recovered with exterior bending through 90°. Moments are nearly twice jet reaction.
5.1.4.3	End Loss Test	73	Moderate loss found.



TESTS AND ANALYSES COMPLETED (Cont'd)

Ref. Para	Ref. Page	Results and Remarks	Total Costs Per Item Inc. Tests in 5.1
5.2	74	<u>DESIGN STUDY AND THEORETICAL ANALYSIS</u>	
5.2.1	74	Air Cushion effect Theory does not explain observations sufficiently accurately.	\$ 54,446.41
5.2.2	76	Stability and Control Conventional handling should be possible. Controls adequate for stabilization.	\$329,493.64
5.2.3	77	Air Intake and Gas Exhaust Tests only.	\$290,853.24
5.2.4	78	Performance Estimated performance has improved M = 3.0; 94,000 ft. and 1000 n. mi. range at conventional engine temperature.	\$ 30,713.72
5.2.5	78	Radial Flow Feasibility Considerable design study has evolved concept now being built.	\$ 36,311.98
Grand Total to date			\$741,818.99
Balance \$19,824. will be expended on the preparation of Reports during the month of June 1956.			



Unclassified

TABULATED SUMMARY & COST FORECAST FOR NEW PROGRAMS REQUIRED

9.1 TEST PROGRAM

<u>Item and Suggested Location</u>	<u>Ref. Page</u>	<u>Remarks</u>	<u>Cost Forecast</u>
9.1.1 <u>Wind Tunnel Models</u>	98		
9.1.1.1 Subsonic 1/6 Scale with intake jets in MMWT at W.A.D.C. in Dayton	98	Required for lower speed transition, hot jet tests, surface pressures and further drag investigation.	\$135,000.00
9.1.1.1.2 Supersonic Sting mounted 1/40 scale in N.S.L. at M.I.T. in Boston	98	Required for transonic component drag data.	\$ 86,000.00
Supersonic 1/23 scale with jets and intake in N.S.L. at M.I.T. - Boston	98	Complementary program to 5.1.1.2 also to obtain full intake suction.	
9.1.1.3 Transonic 1/12 scale in 10 ft. Tunnel at W.A.D.C. in Dayton	98	Basic transonic force model with flow simulation.	\$223,000.00
9.1.1.4 Air Intake internal flow 1/5 scale in 10 ft. Tunnel at W.A.D.C. in Dayton	99	Development Model.	\$115,000.00
9.1.1.5 Minor small scale tests at Avro Aircraft	99	Number of models to be decided later.	---
9.1.2 <u>Ground Effect Tests</u>	99		
20" diameter models on static rig at Avro Aircraft	99	New rig required capable of simulating exact take-off condition for 6-Viper aircraft.	\$ 52,000.00

Unclassified





TABULATED SUMMARY & COST FORECAST FOR NEW PROGRAMS REQUIRED (Cont'd)

<u>Item and Suggested Location</u>	<u>Ref. Page</u>	<u>Remarks</u>	<u>Cost Forecast</u>
9.1.3 <u>Internal Flow Tests</u>	100		
9.1.3.1 Static 1/5 scale air intake internal flow at Avro Aircraft	100	Precedes 9.1.1.4.	\$ 75,000.00
9.1.3.2 Static 1/3 scale nozzle end loss, at Avro Aircraft	100	Loss is unpredictable therefore large scale test required.	\$ 68,000.00
9.1.3.3 Single engine intake and exhaust characteristics at Avro Aircraft	100	Full scale development.	\$ 66,000.00
9.1.4 <u>Propulsion System Test and Qualification</u>	100	6-Viper propulsion system development rig complete with all ancillaries.	\$1,570,000.00 (Excluding Tooling)
9.1.5 <u>Control System Development and Qualification</u>	102		
9.1.5.1 Oscillation rig and Shutter box	102	Initial response measurements and shutter development.	\$ 120,000.00
9.1.5.2 Outer wing Segment and Control System	102	Fitted to 6-Viper test rig.	\$ 216,000.00 (Excluding Tooling)
9.2 <u>DESIGN STUDY AND THEORETICAL ANALYSIS</u>	103		
9.2.1 Weapon System design study (Extent of this study to be determined upon receipt of A. R. D. C. Manual 80-4 dated July 1, 1955)	103	Drawings and performance including trade data, as: (1) Reconnaissance (2) Interceptor (3) Tactical bomber	\$ 70,000.00

Unclassified

Unclassified



TABULATED SUMMARY & COST FORECAST FOR NEW PROGRAMS REQUIRED (Cont'd)

<u>Item and Suggested Location</u>	<u>Ref. Page</u>	<u>Remarks</u>	<u>Cost Forecast</u>
9.2.2 Combustor Development and test	103	Design, develop, test and report.	\$ 200,000.00
9.2.3 Weapon System development plan study (Note: 9.2.1 also applies)	104	Report on development of reconnaissance aircraft.	\$ 94,000.00
9.2.4 Stability and Control Analysis	104	Response of aircraft based on component test and tunnel data.	\$ 39,000.00
9.2.5 Propulsion System Analysis	105	Performance 'off-design' and using test results from 8.1.3.3 etc.	\$ 39,000.00
<b>Total Forecast</b>			<b>\$3,168,000.00</b>

This "Cost Forecast" has been compiled by Special Projects Group in accordance with their interpretation of Exhibit '1' Statement of Work Project 1794 (Preliminary Draft) dated May 1, 1956.

Unclassified