



September 20 1995

6 September 1995

CIA Statement on "Remote Viewing"

As mandated by Congress, CIA is reviewing available information and past research programs concerning parapsychological phenomena, mainly "remote viewing," to determine whether they might have any utility for intelligence collection.

- CIA sponsored research on this subject in the 1970s.
- At that time, the program--always considered speculative and controversial--was determined to be unpromising.
- CIA is also in the process of declassifying the program's history.

We expect to complete the current review this autumn and to make a recommendation regarding any future work by the US Intelligence Community in this area.

RELEASED Sept. 1995



Washington, D.C. 20505

Mr. John Greenwald, Jr.

17 SEP 1997

Reference: F-1997-02079

Dear Mr. Greenwald:

This is in response to your 7 August 1997 Freedom of Information Act (FOIA) request for the following records:

1. All documents pertaining to the Stargate program.
2. All documents related to remote viewing and the use of psychics in DoD Operations.

Your request has been assigned the above reference number for identification purposes.

As you may already know, Project Star Gate was one specific, rather short-lived, program that dealt with research into the parapsychological phenomenon known as "remote viewing." However, during recent years we have come to use "Star Gate" as a rubric for a series of CIA and U.S. Military remote viewing research projects. All records related to your second item, "all documents related to remote viewing and the use of psychics in DoD Operations" are included in the Star Gate collection described below. The projects discussed herein are defunct; today CIA does not fund remote viewing research.

Pursuant to a 1995 Congressional mandate, the CIA collected CIA and Department of Defense records concerned with parapsychological phenomena, mainly "remote viewing," and began a program of review with the intention of declassifying as many of these documents as possible. These records, now referred to as the Star Gate Collection, include all available information on the related projects Star Gate, Grill Flame, Center Lane, Sun Streak, Stunt Pilot, Phoenix, and Scanate. When the review and declassification of all of these project records is complete, the Agency will transfer a copy of all Star Gate Collection releasable documents to the National Archives and Records Administration (NARA), which will in turn make them available to the public. We believe that the Agency will have transferred the Star Gate records

to NARA by the end of 1998, after which time you may request specific documents directly from NARA at the following address:

Ms. Jeanne Schauble, Director  
Records Declassification Division (NND)  
Room 6350  
The National Archives at College Park  
8601 Adelphi Road  
College Park, Maryland 20740-6001

A few documents related to remote viewing issues remained outside of the process described above. These documents include:

1. A summary of basic conclusions from a report prepared by The American Institutes for Research, entitled **An Evaluation of Remote Viewing: Research and Applications**, dated 29 September 1995 (6 pages).
2. A CIA Statement on "Remote Viewing," dated 6 September 1995 (1 page).
3. Progress Report No. 3, Covering the Period 1 April to 1 August 1974, dated 31 October 1974, entitled **Perceptual Augmentation Techniques** (109 pages).
4. Final Report - Covering the Period January 1974 through February 1975, entitled **Perceptual Augmentation Techniques - Part One--Executive Summary** (16 pages).
5. Final Report - Covering the Period January 1974 through February 1975, dated December 1, 1975, entitled **Perceptual Augmentation Techniques - Part Two--Research Report** (153 pages).
6. Final Report - **Novel Biophysical Information Transfer Mechanisms (NBIT)**, dated 14 January 1975 (93 pages).

We have enclosed three of these documents, items 1, 2, and 4, in response to your request. As a requester in the "academic" fee category, you will be assessed for document copies at the rate of ten cents per page, less the first 100 pages to which you are entitled free of charge. If you would like to order the remaining three documents listed above, you may do so at a cost of 10 cents per page in excess of the first 100 pages. You may order these three documents from

this office and you should send your check or money order in US dollars payable to the Treasurer of the United States, citing Reference No. F-1997-02079. We have enclosed a copy of our fee schedule for reference. Allow me to reiterate here that the Star Gate Collection itself will be made available by NARA at a later date.

We hope that the enclosed information is useful.

Sincerely,

  
Lee S. Strickland  
Information and Privacy Coordinator

Enclosures

---

**AN EVALUATION OF REMOTE VIEWING:  
RESEARCH AND APPLICATIONS**

---

**MICHAEL D. MUMFORD, PHD**

**ANDREW M. ROSE, PHD**

**DAVID A. GOSLIN, PHD**

PREPARED BY

THE AMERICAN INSTITUTES FOR RESEARCH

SEPTEMBER 29, 1995

RELEASED Dec 1996

(1)

## Executive Summary

---

Studies of paranormal phenomena have nearly always been associated with controversy. Despite the controversy concerning their nature and existence, many individuals and organizations continue to be avidly interested in these phenomena. The intelligence community is no exception: beginning in the 1970s, it has conducted a program intended to investigate the application of one paranormal phenomenon — *remote viewing*, or the ability to describe locations one has not visited.

Conceptually, remote viewing would seem to have tremendous potential utility for the intelligence community. Accordingly, a three-component program involving basic research, operations, and foreign assessment has been in place for some time. Prior to transferring this program to a new sponsoring organization within the intelligence community, a thorough program review was initiated.

The part of the program review conducted by the American Institutes for Research (AIR), a nonprofit, private research organization, consisted of two main components. The first component was a review of the research program. The second component was a review of the operational application of the remote viewing phenomenon in intelligence gathering. Evaluation of the foreign assessment component of the program was not within the scope of the present effort.

### Research Evaluation

To evaluate the research program, a "blue-ribbon" panel was assembled. The panel included two noted experts in the area of parapsychology: *Dr. Jessica Utts*, a Professor of Statistics at the University of California/Davis, and *Dr. Raymond Hyman*, a Professor of Psychology at the University of Oregon. In addition to their extensive credentials, they were selected to represent both sides of the paranormal controversy: Dr. Utts has published articles that view paranormal interpretations positively, while Dr. Hyman was selected to represent a more skeptical position. Both, however, are viewed as fair and open-minded scientists. In

addition to these experts, this panel included two Senior Scientists from AIR; both have recognized methodological expertise, and both had no prior background in parapsychological research. They were included in the review panel to provide an unbiased methodological perspective. In addition, *Dr. Lincoln Moses*, an Emeritus Professor at Stanford University, provided statistical advice, while *Dr. David A. Goslin*, President of AIR, served as coordinator of the research effort.

Panel members were asked to review all laboratory experiments and meta-analytic reviews conducted as part of the research program; this consisted of approximately 80 separate publications, many of which are summary reports of multiple experiments. In the course of this review, special attention was given to those studies that (a) provided the strongest evidence for the remote viewing phenomenon, and (b) represented new experiments controlling for methodological artifacts identified in earlier reviews. Separate written reviews were prepared by Dr. Utts and Dr. Hyman. They exchanged reviews with other panel members who then tried to reach a consensus.

In the typical remote viewing experiment in the laboratory, a remote viewer is asked to visualize a place, location, or object being viewed by a "beacon" or sender. A judge then examines the viewer's report and determines if this report matches the target or, alternatively, a set of decoys. In most recent laboratory experiments reviewed for the present evaluation, *National Geographic* photographs provided the target pool. If the viewer's reports match the target, as opposed to the decoys, a hit is said to have occurred. Alternatively, accuracy of a set of remote viewing reports is assessed by rank-ordering the similarity of each remote viewing report to each photograph in the target set (usually five photographs). A better-than-chance score is presumed to represent the occurrence of the paranormal phenomenon of remote viewing, since the remote viewers had not seen the photographs they had described (or did not know which photographs had been randomly selected for a particular remote viewing trial).

In evaluating the various laboratory studies conducted to date, the reviewers reached the following conclusions:

- A statistically significant laboratory effort has been demonstrated in the sense that hits occur more often than chance.
- It is unclear whether the observed effects can unambiguously be attributed to the paranormal ability of the remote viewers as opposed to characteristics of the judges or of the target or some other characteristic of the methods used. Use of the same remote viewers, the same judge, and the same target photographs makes it impossible to identify their independent effects.
- Evidence has not been provided that clearly demonstrates that the *causes* of hits are due to the operation of paranormal phenomena; the laboratory experiments have not identified the origins or nature of the remote viewing phenomenon, if, indeed, it exists at all.

## Operational Evaluation

The second component of the program involved the use of remote viewing in gathering intelligence information. Here, representatives of various intelligence groups — "end users" of intelligence information — presented targets to remote viewers, who were asked to describe the target. Typically, the remote viewers described the results of their experiences in written reports, which were forwarded to the end users for evaluation and, if warranted, action.

To assess the operational value of remote viewing in intelligence gathering, a multifaceted evaluation strategy was employed. First, the relevant research literature was reviewed to identify whether the conditions applying during intelligence gathering would reasonably permit application of the remote viewing paradigm. Second, members of three groups involved in the program were interviewed: (1) end users of the information; (2) the remote viewers providing the reports, and (3) the program manager. Third, feedback information obtained from end user judgments of the accuracy and value of the remote viewing reports was assessed.



This multifaceted evaluation effort led to the following conclusions:

- The conditions under which the remote viewing phenomenon is observed in laboratory settings do not apply in intelligence gathering situations. For example, viewers cannot be provided with feedback and targets may not display the characteristics needed to produce hits.
- The end users indicated that, although some accuracy was observed with regard to broad background characteristics, the remote viewing reports failed to produce the concrete, specific information valued in intelligence gathering.
- The information provided was inconsistent, inaccurate with regard to specifics, and required substantial subjective interpretation.
- In no case had the information provided ever been used to guide intelligence operations. Thus, remote viewing failed to produce actionable intelligence.

## **Conclusions**

The foregoing observations provide a compelling argument against continuation of the program within the intelligence community. Even though a statistically significant effect has been observed in the laboratory, it remains unclear whether the existence of a paranormal phenomenon, remote viewing, has been demonstrated. The laboratory studies do not provide evidence regarding the origins or nature of the phenomenon, assuming it exists, nor do they address the important methodological issue of inter-judge reliability.

Further, even if it could be demonstrated unequivocally that a paranormal phenomenon occurs under the conditions present in the laboratory paradigm, these conditions have limited applicability and utility for intelligence gathering operations. For example, the nature of the remote viewing targets are vastly dissimilar, as are the specific tasks required of the remote viewers. Most importantly, the information provided by remote viewing is vague and ambiguous, making it difficult, if not impossible, for the technique to yield information of

sufficient quality and accuracy for actionable intelligence. Thus, we conclude that continued use of remote viewing in intelligence gathering operations is not warranted.



STANFORD RESEARCH INSTITUTE  
Menlo Park, California 94025 - U.S.A.

Final Report

Covering the Period January 1974 through February 1975

PERCEPTUAL AUGMENTATION TECHNIQUES

Part One - Executive Summary

By: Harold E. Puthoff and Russell Targ  
Electronics and Bioengineering Laboratory

SRI Project 3133

Approved by:

Earle Jones, Director  
Electronics and Bioengineering Laboratory

Bonnar Cox, Executive Director  
Information Science and Engineering Division

CLASSIFIED BY 027555  
EXEMPT FROM GENERAL DECLASSIFICATION  
EXEMPTION AUTHORITY  
EXEMPTION CODE OR THE SOURCE OF OR HOW  
AUTOMATICALLY DECLASSIFIED ON  
Impossible to determine  
UNLESS IMPOSSIBLE, INSERT DATE OF EVENT

~~NATIONAL SECURITY INFORMATION  
EXEMPT FROM DECLASSIFICATION  
EXEMPTION AUTHORITY  
EXEMPTION CODE OR THE SOURCE OF OR HOW  
AUTOMATICALLY DECLASSIFIED ON~~

Approved For Release  
Date July 1985

~~SECRET~~

RELEASED FEB 97

# UNCLASSIFIED

## I OBJECTIVE

The goal of this program was to determine the extent to which certain individuals obtain accurate information about their environment under conditions thought to be secure against such access and without the use of known human perceptual modalities.

The program was divided into two categories of approximately equal effort--~~applied research and basic research.~~ The ~~applied research effort~~ explored the operational utility of the above perceptual abilities. The basic research effort was directed toward identification of the characteristics of individuals possessing such abilities and the determination of neurophysiological correlates and basic mechanisms involved in such functioning.

UNCLASSIFIED

# UNCLASSIFIED

## II SUMMARY

As a result of exploratory research on human perception carried out in SRI's Electronics and Bioengineering Laboratory, we observed the emergence of a perceptual channel whereby certain individuals access and describe, by means of mental imagery, randomly-chosen remote sites located several miles or more away. In this final report, we document the study at SRI of this human information-accessing capability which we call "remote viewing," one characteristic of which appear to fall outside the range of well-understood perceptual/information-processing abilities. This phenomenon pertains to the ability of certain individuals to access and describe, by means of internal mental processes, information sources blocked from ordinary perception and generally accepted as secure against such access. These individuals include not only SRI subjects, but visiting staff members of the sponsoring organization who participated as subjects in order to critique the protocol. Experiments carried out under controlled laboratory conditions included the reproduction of line drawings shielded against ordinary perception, the determination of the electronic state of a four-state random number generator, and the viewing of remote geographical locations, all at levels of statistical significance  $p < 10^{-6}$ . Our initial work in this area has been reported in the open literature under the title "Information Transmission Under Conditions of Sensory Shielding," Nature 252, 13 October 1974, and reprinted in the IEEE Communications 13, January 1975. A copy of this publication is included as Appendix A of this report.

Since our initial work the phenomenon we have investigated most

extensively is the ability of individuals to view remote geographical locations (up to several thousand kilometers), given only coordinates (latitude and longitude) or a person on whom to target. We have worked with a number of individuals, including sponsor personnel, whose remote perceptual abilities have been developed sufficiently to allow them at times to describe correctly--often in great detail--geographical or technical material such as buildings, roads, laboratory apparatus, and the like.

The development of this capability at SRI has evolved to the point where (a) visiting CIA personnel with no previous exposure to such concepts have performed well under controlled laboratory conditions (that is, generated target descriptions of sufficiently high quality to permit blind matching of descriptions to targets by independent judges), and (b) subjects trained over a one-year period have performed well under operational conditions (that is, provided data of operational significance later verified by independent sources). Our accumulated data thus indicate that both specially selected and unselected persons can be assisted in developing remote perceptual abilities to a level of useful information transfer.

To indicate the level of proficiency that can be reached, we present four examples generated by experienced subjects. The first category consists of long-distance (trans-Atlantic) remote-viewing of a large-scale installation. The second category consists of two or more subjects remote-viewing the same target, independently, which in this series was technical apparatus. The third category consists of remote sensing of the internal state of a piece of electronic equipment. The fourth category consists of the perturbation of remote equipment.

A. Category I: Long-Distance Remote Viewing

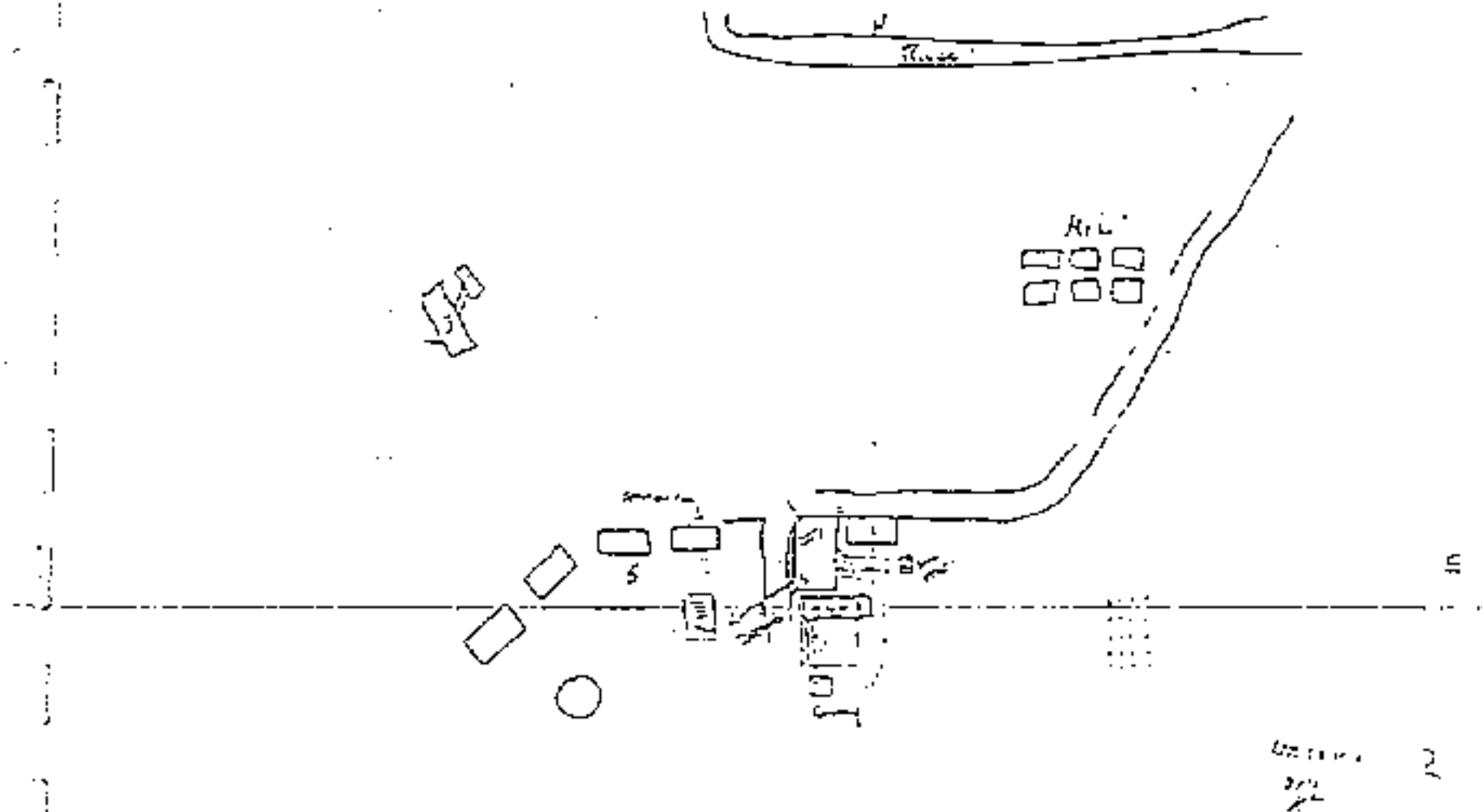
In order to subject the remote viewing phenomena to a rigorous long-distance test under external control, a request for geographical coordinates of a site unknown to subject and experimenters was forwarded to the OSI group responsible for threat analysis in this area. In response, SRI personnel received a set of geographical coordinates (latitude and longitude in degrees, minutes, and seconds) of a facility, hereafter referred to as the West Virginia Site. The experimenters then carried out a remote viewing experiment on a double-blind basis, that is, blind to experimenters as well as subject. The experiment had as its goal the determination of the utility of remote viewing under conditions approximating an operational scenario. Two subjects targeted on the site, a sensitive installation. One subject drew a detailed map of the building and grounds layout, the other provided information about the interior including code words, data subsequently verified by sponsor sources (report available from COTR).

A long-distance remote viewing experiment was then carried out on a sponsor-designated target of interest, a research center at Semipalatinsk, USSR. The Contracting Officer Technical Representative (COTR) furnished map coordinates to the experimenters. The only additional information provided was the designation of the target as an R&D test facility. The experimenters then carried out a remote viewing experiment on a double-blind basis with a subject (SI)<sup>a</sup> trained in the SRI program. Figure 1(a) shows the subject's graphic effort for building layout; Figure 1(b) shows the subject's particular attention to a multistory gantry crane he observed at the site. (Again, these results were obtained on a double-blind basis

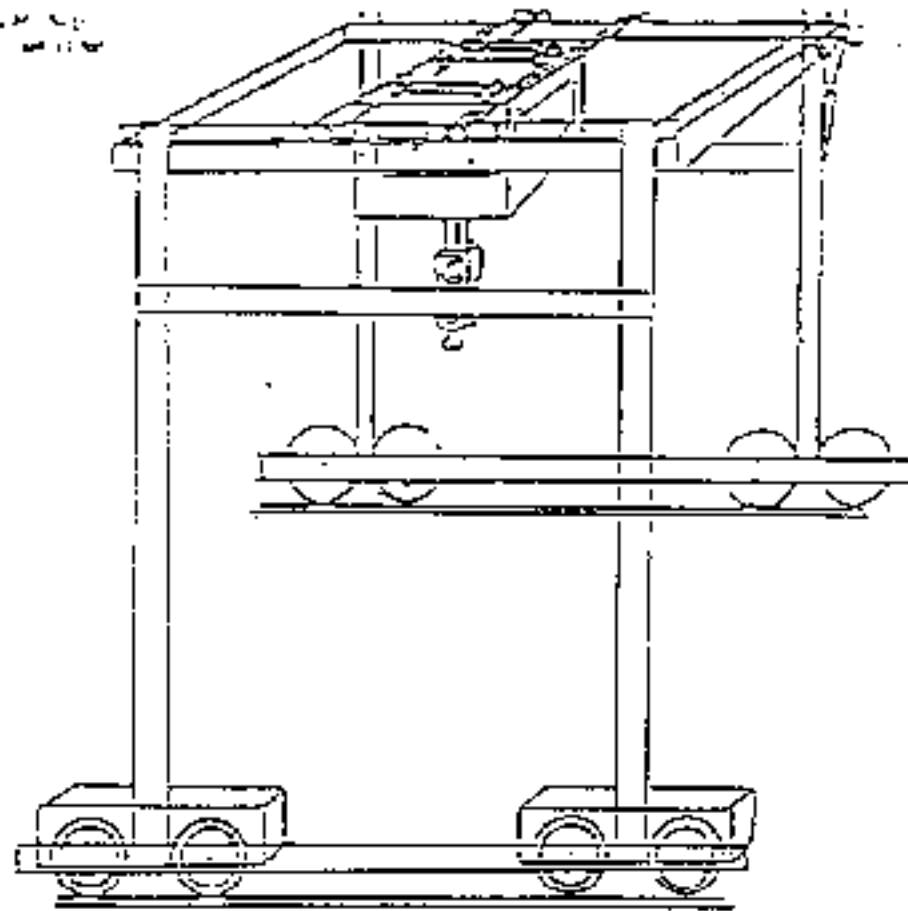
---

<sup>a</sup> A key to numerical designations for subjects is available from the COTR.

UNCLASSIFIED



(a) SUBJECT EFFORT AT BUILDING LAYOUT



(b) SUBJECT EFFORT AT CRANE CONSTRUCTION

FIGURE 1

UNCLASSIFIED

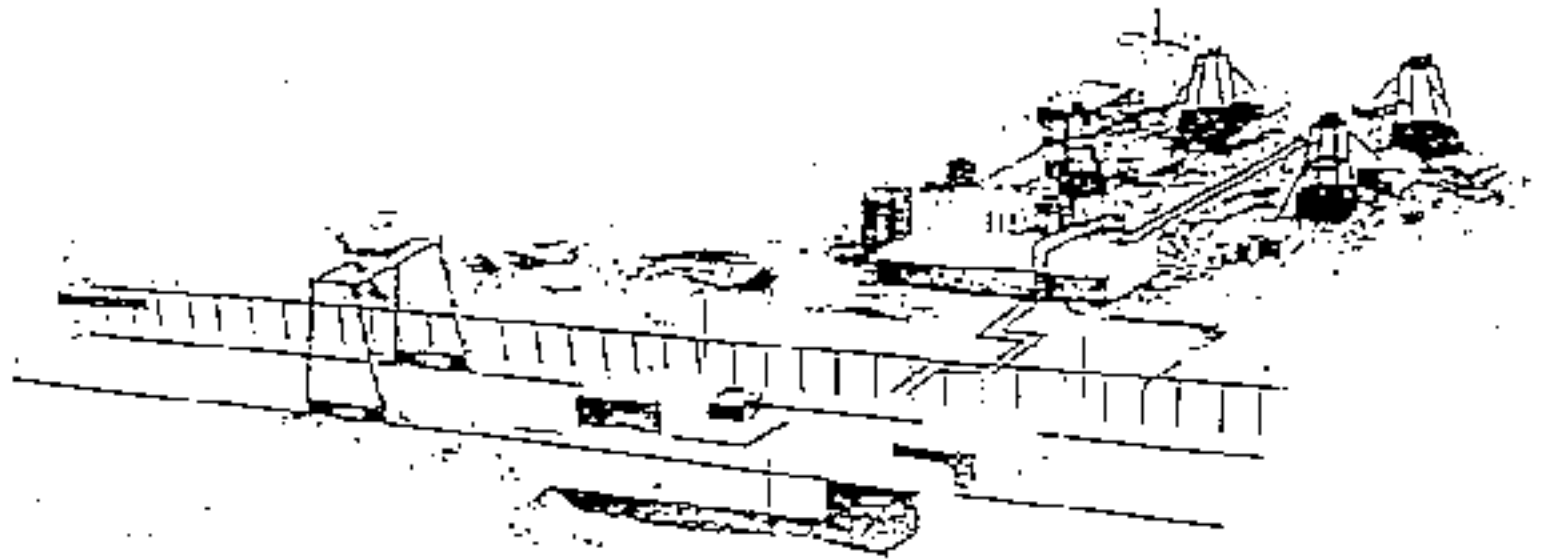


before exposure to the COIR-held information, thus eliminating the possibility of cueing.) For comparison an artist's rendering of the site as known to the COIR (but not to contract personnel) is shown in Figure 2(a), with crane detail shown in Figure 2(b). The exceptionally accurate description of the multistory crane was taken as indicative of probable target acquisition, and therefore the subject was introduced to sponsor personnel who collected further data for evaluation. The latter contained both additional physical data which were independently verified by other sponsor resources, thus providing additional calibration, and also initially-unverifiable data of current operational interest. Several hours of tape transcripts and a notebook full of drawings were generated over a two-week period. A description of the data and evaluation is contained in a separate report. The results contained noise along with the signal, but were nonetheless clearly differentiated from the chance results generated by control subjects in comparison experiments carried out by the COIR.

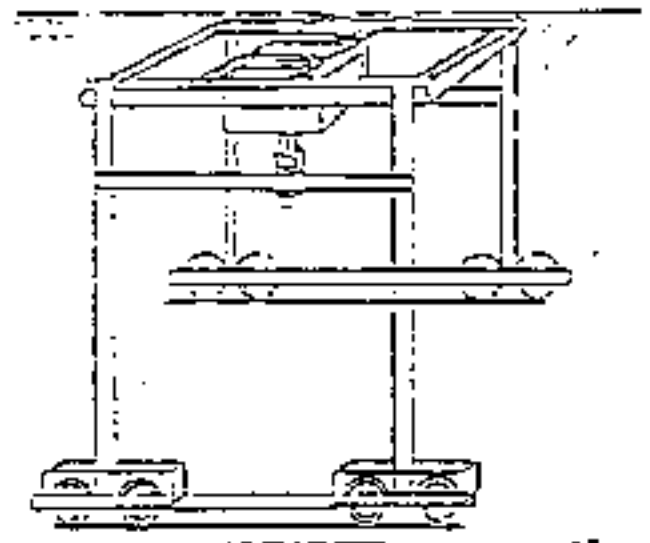
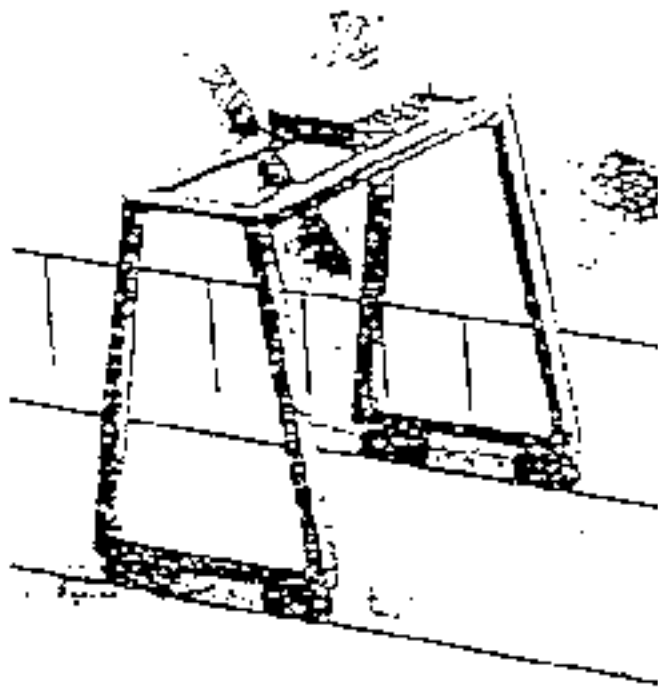
3. Category III: Technology Series (Multiple)

A series of experiments designed to measure the resolution capability of the remote viewing phenomenon were carried out within the confines of SRI. In each experiment a subject was asked to attempt to describe remote laboratory equipment, demarcated only by a target individual sent to a location of interest by means of a random protocol outside the experimenters' control. The experimenter remaining with the subject was kept ignorant of the contents of the target pool to prevent cueing during questioning. The subject was asked to describe the apparatus both verbally (tape recorded) and by means of drawings. The sample presented here is not an edited collection of "best ever" results, but rather consists of the results of the entire collection of experiments directly involving visiting CIA personnel in which

~~SECRET~~



(a) TARGET SITE



(b) CRANE COMPARISON

FIGURE 2

~~SECRET~~

two or more subjects independently viewed an identical technological target.

The target for Experiment 1, a typewriter, was chosen by a sponsor staff member during a site visit. The response drawn by the subject (S4), located approximately 100 yards away, is shown on the right of Figure 3. The target was re-used at a later date with another subject, resulting in the response on the left.

The target for Experiment 2 was a Xerox machine, chosen by the COTR during a site visit. In response the drawing on the right of Figure 4 was generated by a second sponsor staff member who agreed to participate as a subject in this one experiment in order to evaluate the protocol. The target was re-used at a later date with an SRI subject (S2) in an experiment under observation by sponsor personnel, resulting in the response on the left. Finally, the same target came up for subject S3 during a random technological target series, resulting in the drawing in the center.

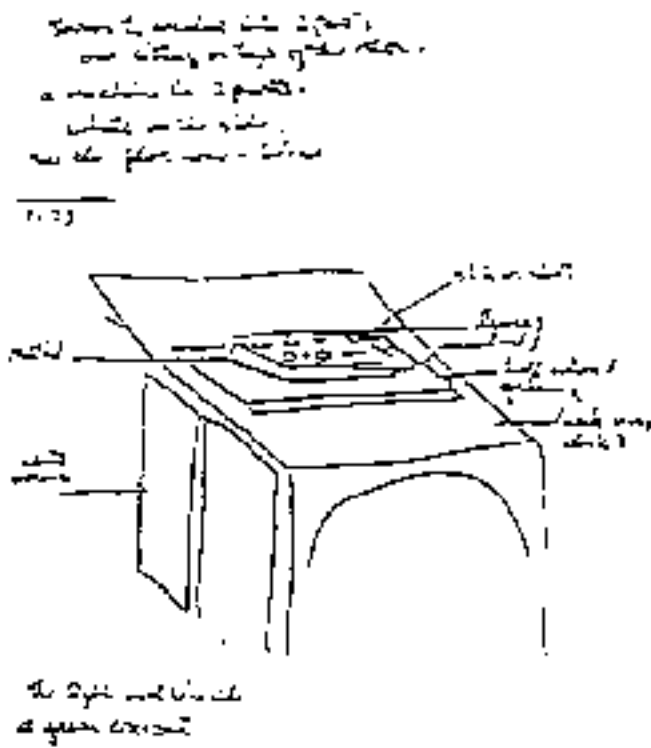
The target for Experiment 3, a computer input-output unit, resulted in the responses shown in Figure 5. The response on the left was generated by SRI subject S4, the one on the right by a visiting sponsor staff member who participated as a subject in a random technological target series.

Such results, generated in experiments with viewing windows of 15-min. duration, indicate the presence of an information channel of useful bit rate. Furthermore, it would appear that by correlating a number of subject responses to a given target, we can obtain enhancement of the signal-to-noise ratio.

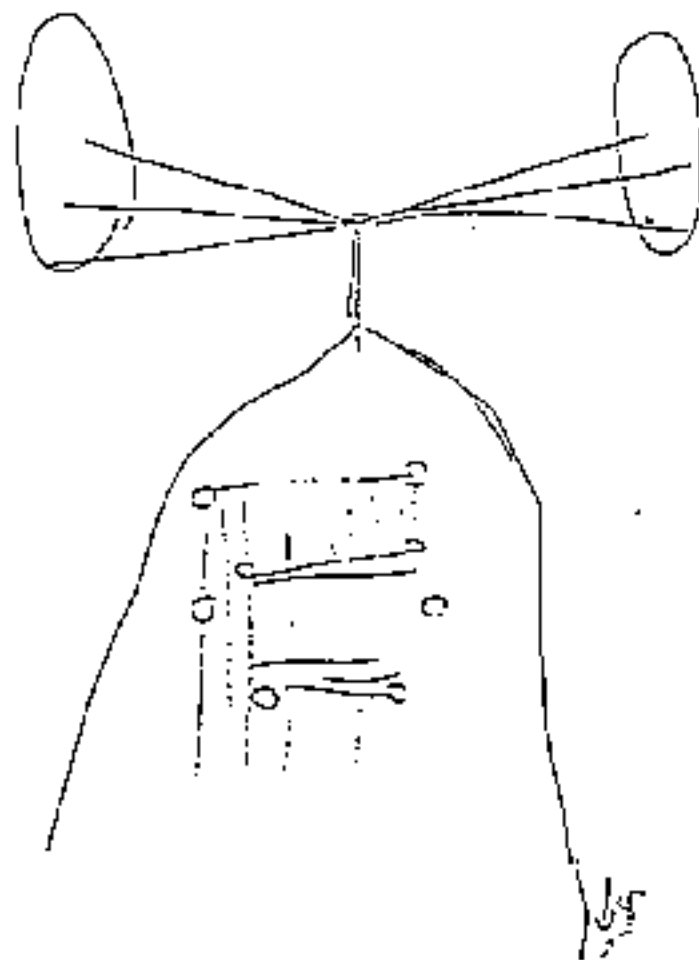
UNCLASSIFIED



TECHNOLOGY SERIES  
TYPEWRITER TARGET



SRI SUBJECT 53 RESPONSE



SRI SUBJECT 54 RESPONSE

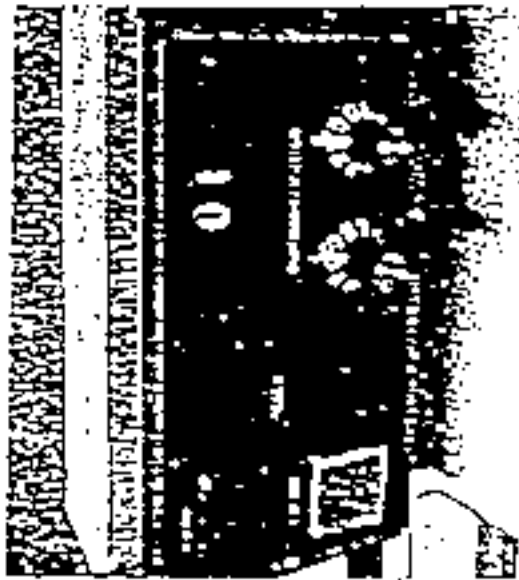
TA-760520-75

FIGURE 3 DRAWINGS BY TWO SUBJECTS OF A TYPEWRITER TARGET

UNCLASSIFIED



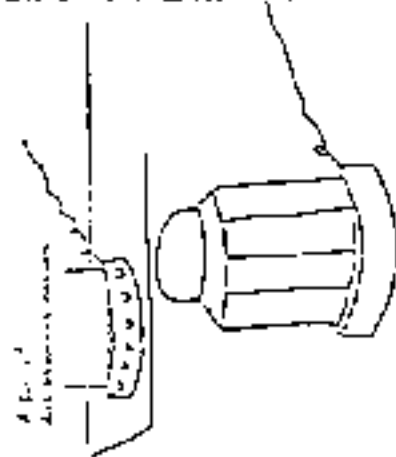
EXPERIMENTER WITH HIS HEAD BEING XEROXED (TO ADD INTEREST TO TARGET LOCATION)



TARGET LOCATION: XEROX MACHINE (TECHNOLOGY SERIES)



When asked to describe the square at upper left, the subject said, "There was this pre-dominant light source which might have been a window, and a working surface which might have been the sill, or a working surface or desk." Earlier the subject had said, "I have the feeling that there is something illuminated against the window."



SRI SUBJECT S3 RESPONSE



SRI SUBJECT S2 RESPONSE

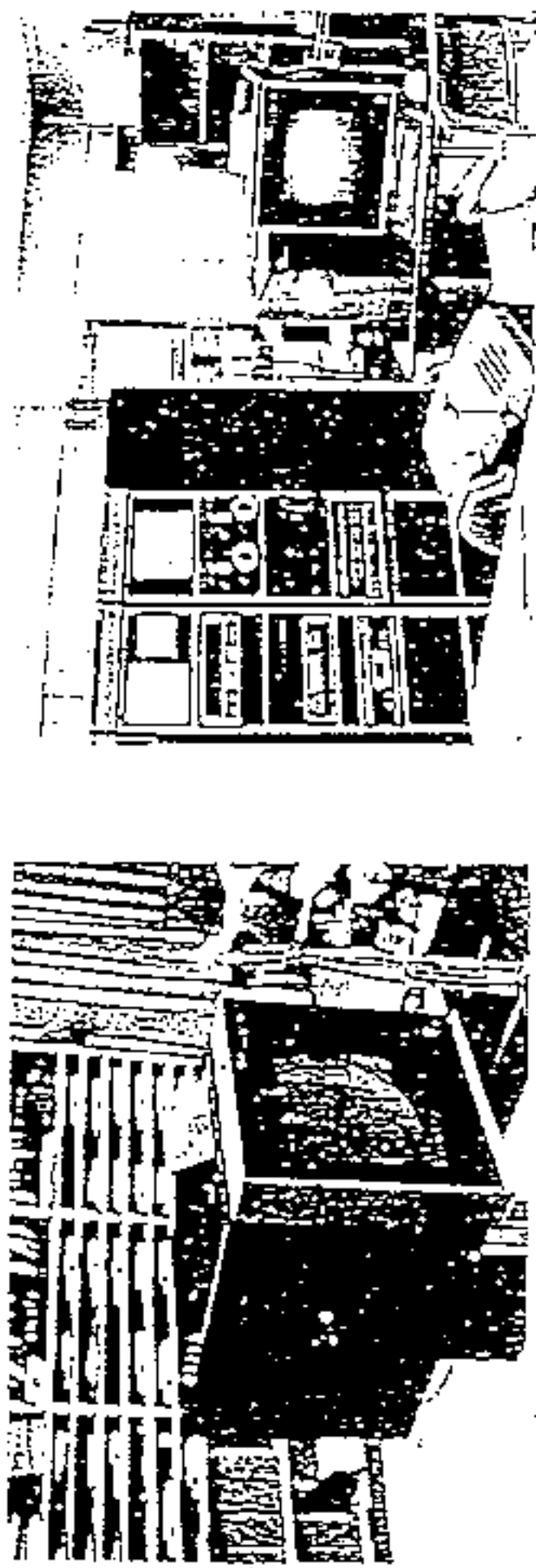


SRI SUBJECT S1 RESPONSE

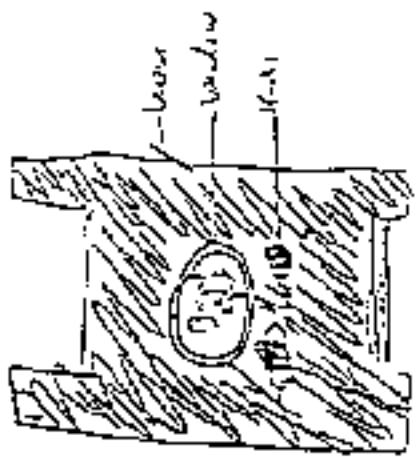
SPONSOR SUBJECT RESPONSE

TA-760577-74

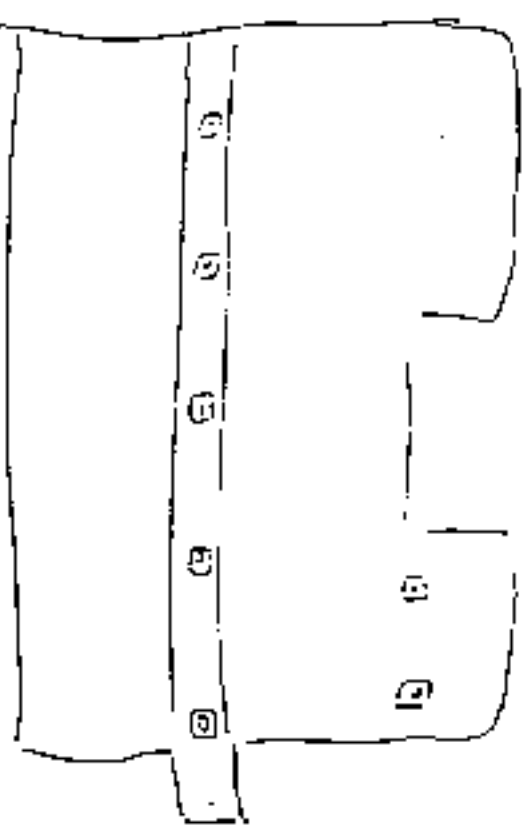
FIGURE 4 DRAWINGS BY THREE SUBJECTS FOR XEROX MACHINE TARGET



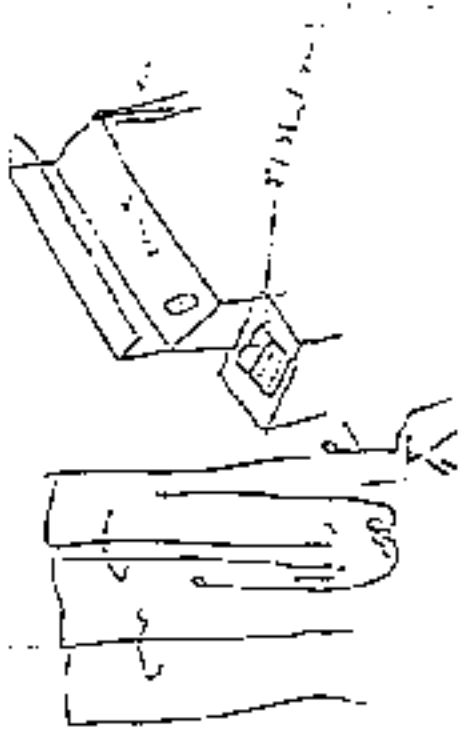
TARGET: VIDEO MONITOR FOR TEXT EDITING (TECHNOLOGY SERIES)



*Sides - all not black*



SUBJECT DRAWING OF "BOX WITH LIGHT COMING OUT OF IT . . . PAINTED FLAT BLACK AND IN THE MIDDLE OF THE ROOM"  
SRI SUBJECT SA RESPONSE



SECOND SUBJECT SAW A TEXAS INSTRUMENTS "SILENT 700" COMPUTED TERMINAL  
SPONSOR SUBJECT RESPONSE

SA-3183-B

FIGURE 5 DRAWING BY TWO SUBJECTS OF A VIDEO MONITOR TARGET

C. Category III: Remote Sensing of Internal States of Electronic Equipment

To determine whether remote viewing could be extended beyond visual perception to the sensing of the internal state of a piece of electronic equipment, further experimentation was carried out with six subjects who had shown an ability in remote viewing. The task was the determination of the internal electronic state of a four-state random number generator ( $p = 1/4$  for each of four equal-probability outputs) whose characteristics had been examined in detail to verify its randomness. The solid-state machine has no moving parts and provides no sensory cue to the user as to its target generation. (See Figure 6.) Although the task appeared more difficult, one of six subjects consistently scored significantly better than chance ( $p = 3 \times 10^{-7}$ ). In the required 2500-trial run the latter obtained 17.4% more hits (734) than would be expected by chance (625). When the subject was asked to repeat the entire experiment at a later time, he was able to replicate successfully a high scoring rate (11.5% more hits than expected by chance,  $p = 4.8 \times 10^{-4}$ ).

UNCLASSIFIED

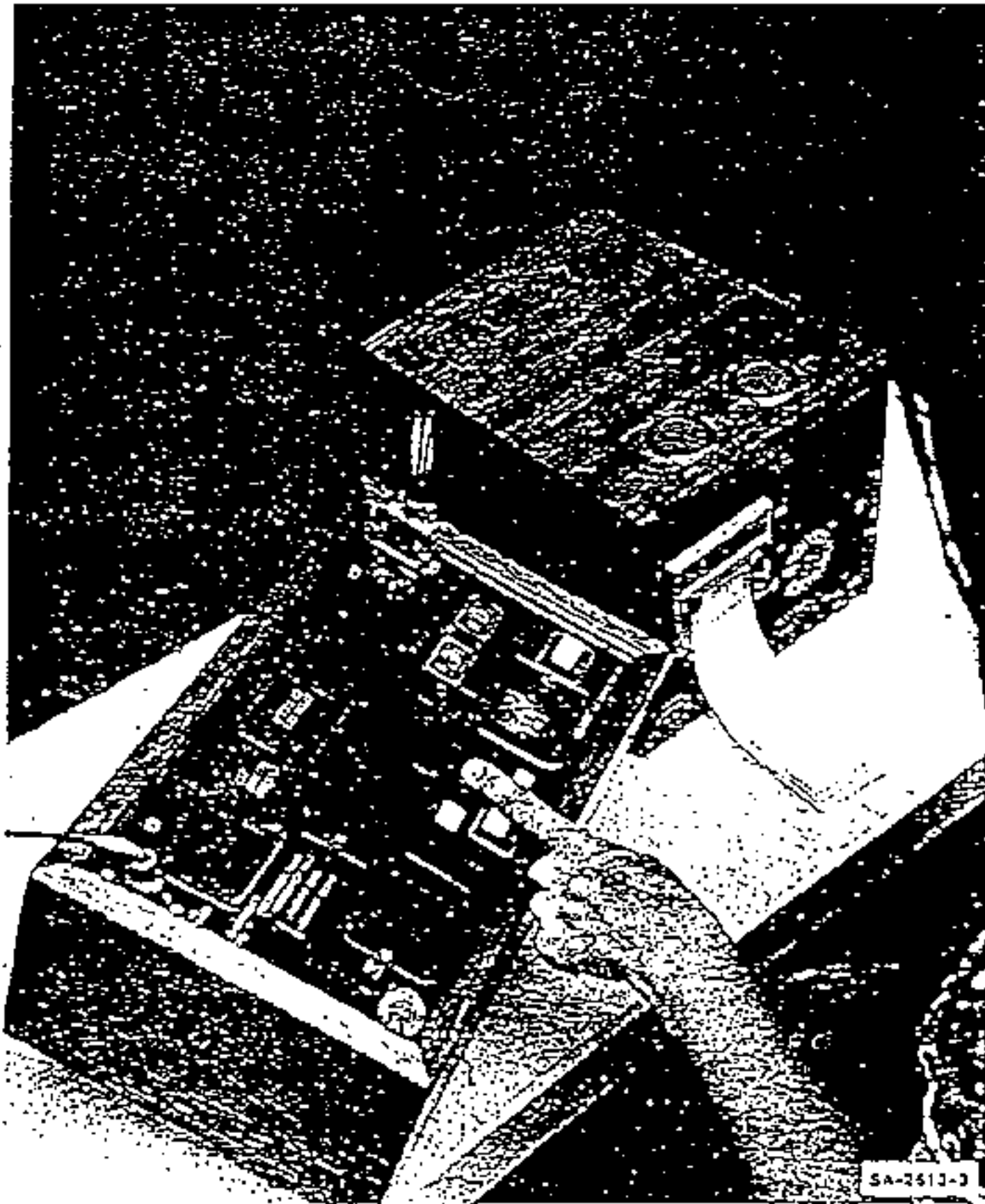


FIGURE 6 FOUR-STATE RANDOM NUMBER GENERATOR

The printer to the right of the machine records data automatically on fan-fold paper tape.

UNCLASSIFIED



D. Category IV: Perturbation of Remote Equipment

Additional experimentation was initiated to investigate the possibility that the remote sensing channel may possess bilateral aspects; for example, it might be possible to couple energy from an individual to a remote location as well as in reverse. To test this hypothesis, experiments were carried out with a sensitive magnetometer in an adjoining laboratory as the remote target. Use of an ORD-developed magnetometer was arranged by ORD personnel. In a series of thirteen 10-trial runs with 50 seconds per trial, perturbations of the magnetometer by a subject gifted in remote viewing were obtained under a strict randomization protocol, yielding a positive result significant at the  $p = 0.004$  level. Because of the potential significance and implications of such findings, we intend to collect considerable additional data before arriving at a hard conclusion. Nonetheless, as a tentative conclusion there is evidence that a piece of sensitive equipment can be perturbed by a subject during remote viewing, thus implying that the information channel under investigation may sustain energy transfer in either direction.

E. General Considerations

The primary achievement of the SRI program was the elicitation of high quality remote viewing by individuals who agreed to act as subjects. Criticism of this claim could in principle be put forward on the basis of three potential flaws: (1) the study could involve naivete in protocol which permits various forms of cueing, intentional or unintentional; (2) the experiments discussed could be selected out of a larger pool of experiments of which many are of poorer quality; (3) data for the reported experiments could be edited to show only the matching elements, the non-matching

# UNCLASSIFIED

elements being discarded.

All three criticisms, however, are invalid. First, with regard to cueing, the use of double-blind protocols ensures that no person in contact with the subject can be aware of the target. Second, no selection of experiments for reporting takes place; every experiment is entered as performed on a master log and is included in the statistical evaluations. Third, data associated with a given experiment remain unedited; all data associated with an experiment are tape recorded and included unedited in the data package to be judged, evaluated, etc. Finally, the entire unedited file of tape recordings, transcripts and drawings for every experiment is available to the COTR and others in the scientific community for independent analysis.

The observed results outlined in A through D above (target acquisition, equipment description, electronic state specification, and perturbation of instrument operation) may together constitute different aspects of a single remote coupling phenomenon. With regard to understanding the phenomenon itself, the precise nature of the information channel coupling remote locations is not yet understood. However, we can show that its characteristics are compatible with both quantum theory and information theory and with recent developments in research on brain function. Therefore, our working assumption is that the phenomenon of interest does not lie outside the purview of modern physics and with further work will yield to analysis and specification.

Further, with an eye toward future subject selection, subjects possessing a well-developed natural ability in the area under consideration underwent complete physical, psychological, and neuropsychological profiling, the results of which suggest the core of a screening procedure.

# UNCLASSIFIED

Finally, it is concluded by the research contractors that the accrual of experience in three years of successful effort constitutes an asset that could be utilized in the future both for operational needs and for training others in the development and use of the remote sensing capability.